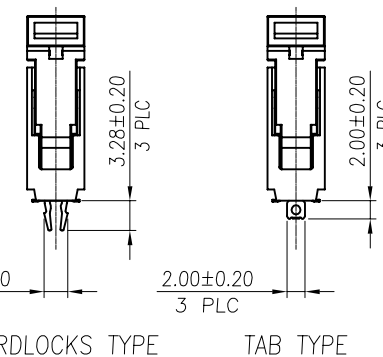
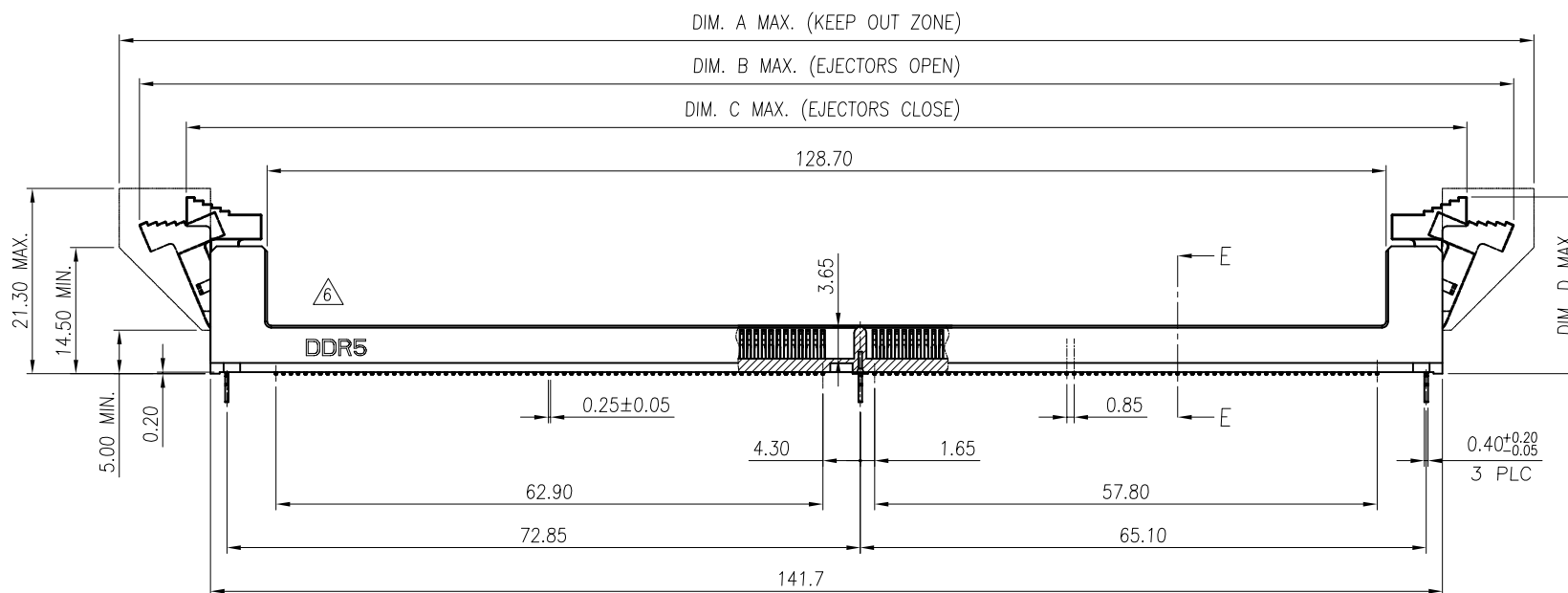


SECTION E-E  
SCALE 2:1



REV	ECN NO.	NAME	DATE	TOLERANCE	
				.XX±0.10	.XXX±
6	---	Lin xuejun	Oct,12,2022	LINEAR	ANGLES
5	---	Lei Songping	Jul,08,2022	X.±0.40	X'.± 3'
4	---	Lin xuejun	Jan,10,2022	.X±0.30	.X'±
3	---	Lei Songping	Nov,04,2021	.XX±0.20	.XX'±
REV	ECN NO.	NAME	DATE	.XX±0.10	.XXX±

**UMax conn** 东莞市友贸实业有限公司  
DONGGUAN UMAX ENTERPRISE LIMITED

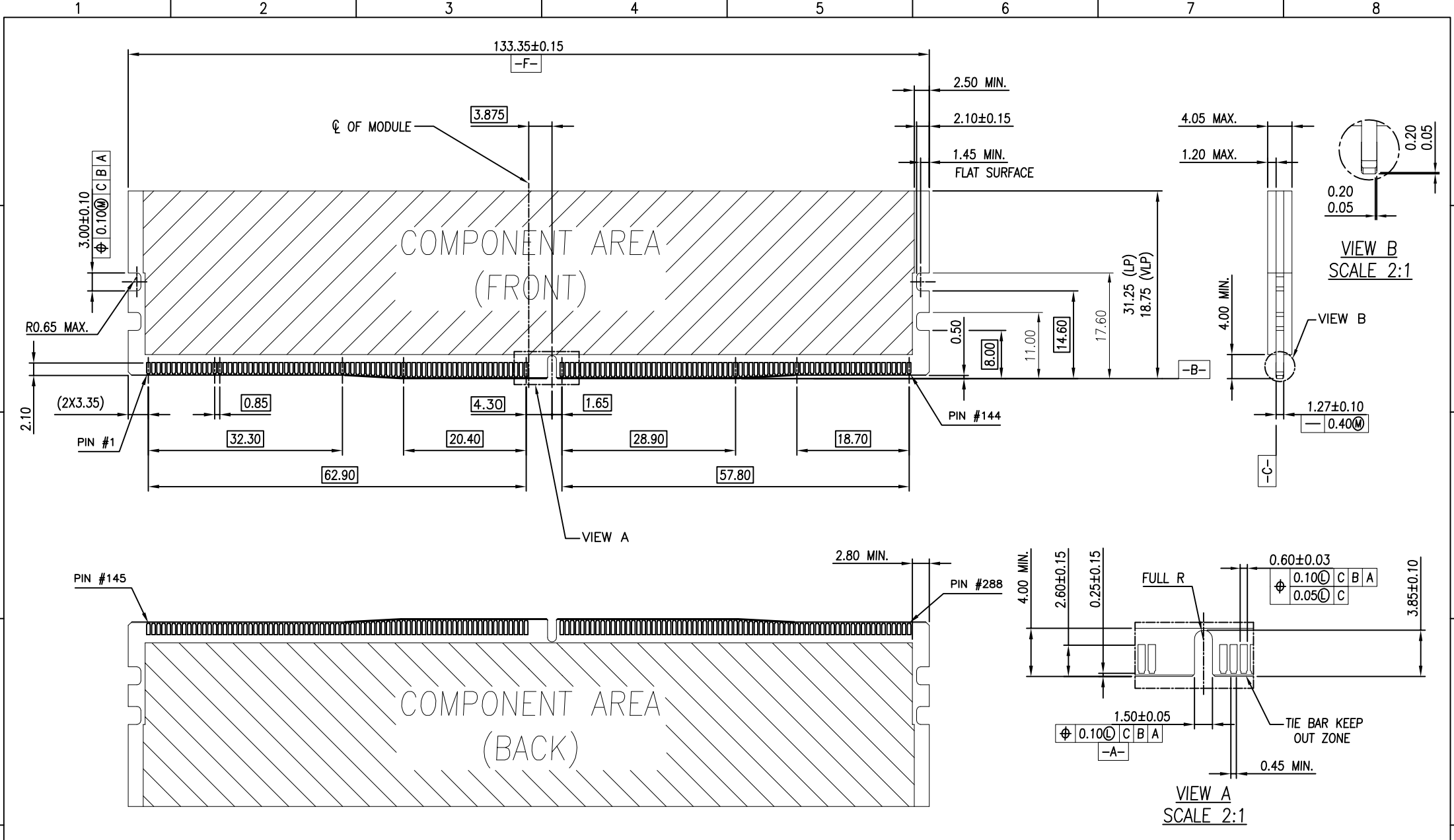
TITLE: DDR 5, 288P MEMORY SOCKET  
SMT TYPE CONNECTOR

PART NO. 90413-XX0XX-XX

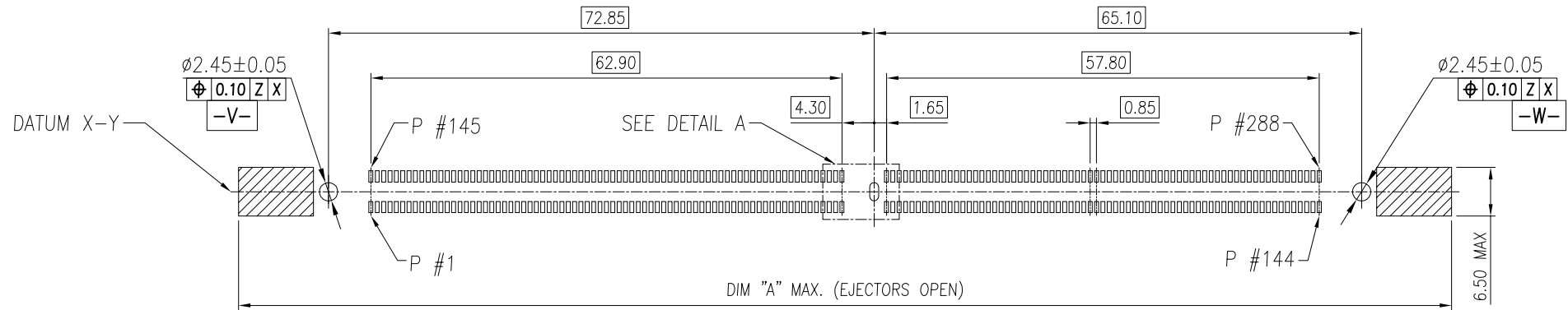
DWG NO. C-90413

APPD: Jason MAT'L:  
CHKD: Schumi FINISH:  
DRWN: Lei Songping Q'TY:

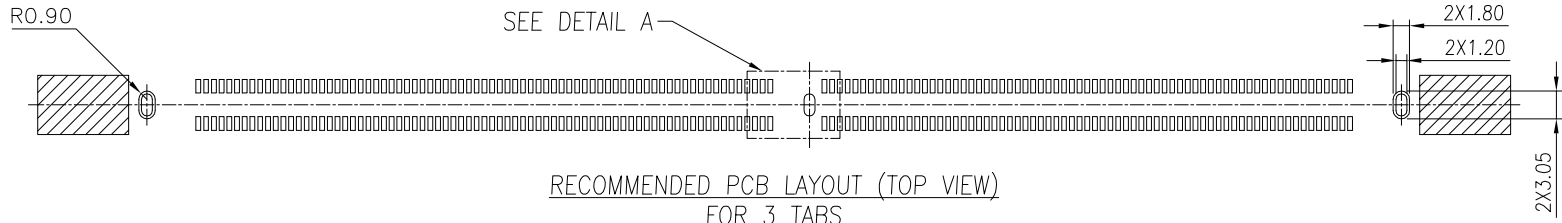
UNITS	SCALE	SHEET	REV
MM	1 : 1	1 OF 4	6



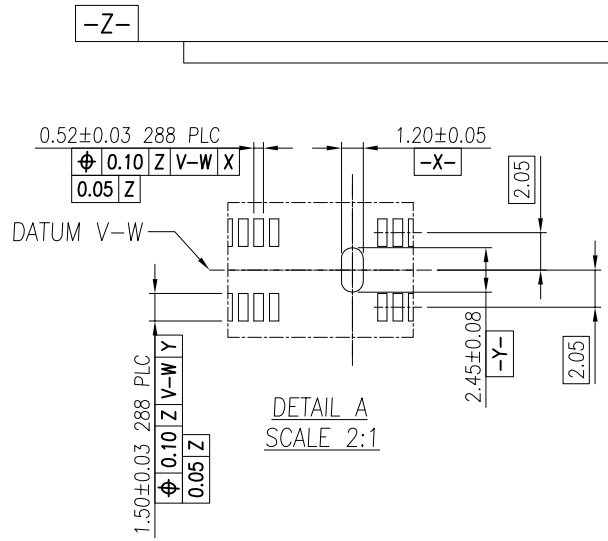
				TOLERANCE		<b>UMax conn</b> 东莞市友贸实业有限公司 DONGGUAN UMAX ENTERPRISE LIMITED		TITLE: DDR 5, 288P MEMORY SOCKET SMT TYPE CONNECTOR			
				LINEAR	ANGLES			PART NO. 90413-XX0XX-XX			
				X.±0.40	X'± 3'	APPD: Jason	MAT'L:	DWG NO. C-90413			
				.X±0.30	.X'±	CHKD: Schumi	FINISH:	UNITS	SCALE	SHEET	REV
REV	SEE SHEET 1	NAME	DATE	.XX±0.20	.XX'±	DRWN: Lei Songping	Q'TY:	MM	1 : 1	2 OF 4	6
	ECN NO.			.XXX±0.10	.XXX'±						CUSTOMER



RECOMMENDED PCB LAYOUT (TOP VIEW)  
FOR 3 BOARDLOCKS



RECOMMENDED PCB LAYOUT (TOP VIEW)  
FOR 3 TABS



DETAIL A  
SCALE 2:1

TOLERANCE	
LINEAR	ANGLES
X.±0.40	X'.± 3'
.X±0.30	.X'±
.XX±0.20	.XX'±
.XXX±0.10	.XXX'±

<b>UMax conn</b> 东莞市友贸实业有限公司 DONGGUAN UMAX ENTERPRISE LIMITED		APPD:	Jason	MAT'L:	
		CHKD:	Schumi	FINISH:	
DRWN:	Lei Songping	Q'TY:			

TITLE:		DDR 5, 288P MEMORY SOCKET SMT TYPE CONNECTOR			
PART NO.		90413-XX0XX-XX			
DWG NO.		C-90413			
	UNITS	SCALE	SHEET	REV	
	MM	1 : 1	3 OF 4	6	

SEE SHEET 1			
REV	ECN NO.	NAME	DATE

NOTES:

1. MATERIAL :

- 1.1 HOUSING: HIGH PERFORMANCE RESINS, GLASS FIBER, UL94 V-0, COLOR: SEE PART NO..
- 1.2 LATCH: HIGH PERFORMANCE RESINS, GLASS FIBER, UL94 V-0, COLOR: SEE PART NO..
- 1.3 CONTACTS: COPPER ALLOY.
- 1.4 BOARDLOCK: STAINLESS STEEL.
- 1.5 TABS: STAINLESS STEEL.

2. FINISH :

2.1 CONTACT

- [SEE PART NO..] GOLD PLATING ON THE CONTACT AREA.
- 100u" MIN. MATTE-TIN PLATING ON THE SOLDERING AREA.
- 50u" MIN. NICKEL UNDERPLATING OVERALL.

20.70	147.50	158.50	162.00	LONG
20.30	145.50	156.00	156.00	MIDDLE
20.20	142.00	151.50	152.00	SHORT
DIM. D	DIM. C	DIM. B	DIM. A	LATCH TYPE

PART NO..

90413-XX 0 X X-X X X

CONTACT

AREA PLATING  
15: 15u" Au  
30: 30u" Au

SOLDERTAIL LENGTH  
0- FOR SMT TYPE

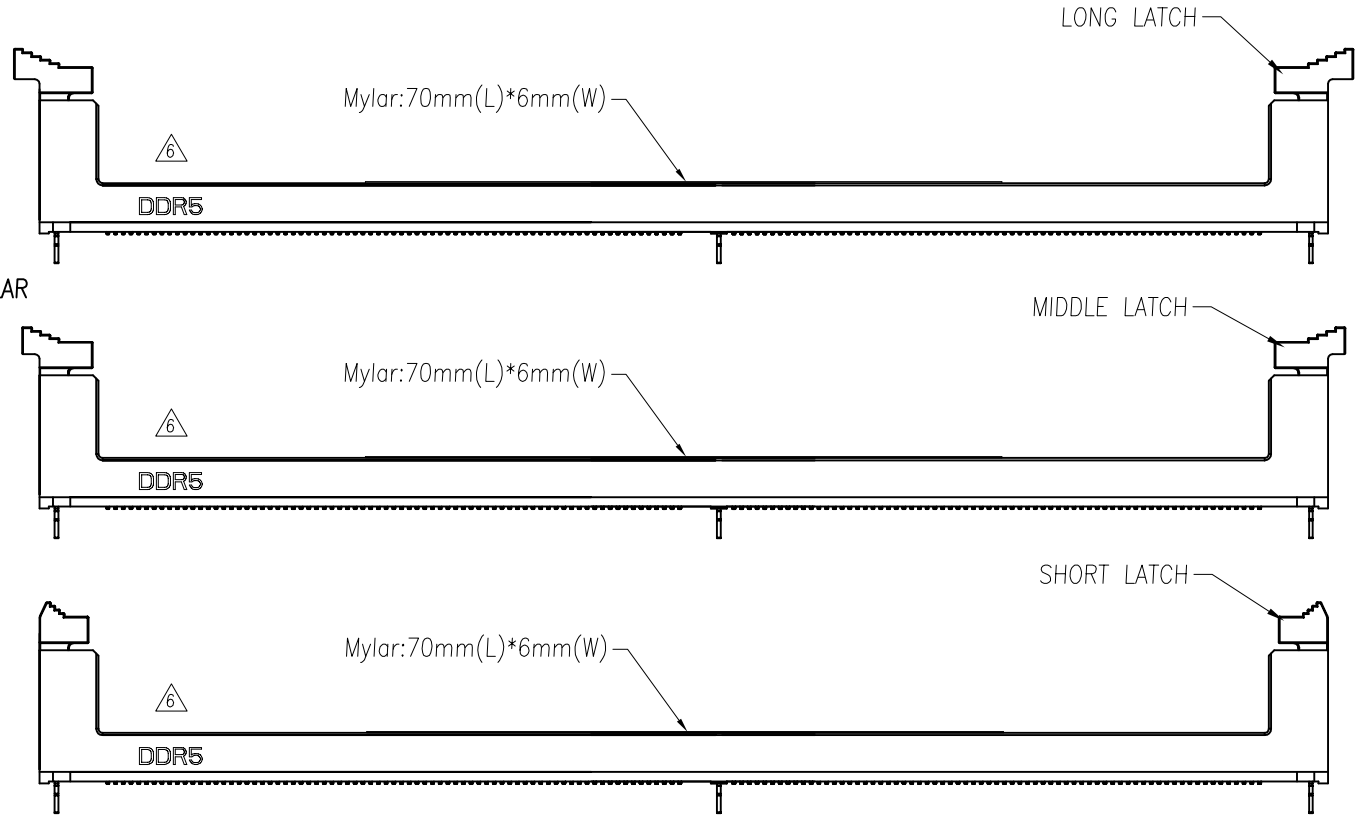
HOUSING COLOR  
1: BLACK  
2: NATURAL  
3: YELLOW  
4: BLUE

PACKAGING OPTIONS  
BLANK: HARD TRAY  
M: HARD TRAY WITH MYLAR

BOARDLOCK TYPE  
BLANK: BOARDLOCK  
1: TAB

LATCH TYPE  
1: SHORT LATCH  
2: LONG LATCH  
3: MIDDLE LATCH

LATCH COLOR  
1: BLACK  
2: NATURAL  
3: YELLOW  
4: BLUE



TOLERANCE	
LINEAR	ANGLES
X.±0.40	X'± 3'
.X±0.30	.X'±
.XX±0.20	.XX'±
.XXX±0.10	.XXX'±

**UMax conn** 东莞市友贸实业有限公司  
DONGGUAN UMAX ENTERPRISE LIMITED

TITLE: DDR 5, 288P MEMORY SOCKET  
SMT TYPE CONNECTOR

PART NO. 90413-XX0XX-XX

DWG NO. C-90413

APPD: Jason

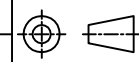
MAT'L:

CHKD: Schumi

FINISH:

DRWN: Lei Songping

Q'TY:



UNITS	SCALE	SHEET	REV
MM	1 : 1	4 OF 4	6

SEE SHEET 1			
REV	ECN NO.	NAME	DATE

## X-ON Electronics

Largest Supplier of Electrical and Electronic Components

*Click to view similar products for [Standard Card Edge Connectors](#) category:*

*Click to view products by [UMAX](#) manufacturer:*

Other Similar products are found below :

[CR7E-30DB-3.96E\(72\)](#) [6565204-6](#) [1437274-4](#) [EBT15622B2X](#) [1-582587-1](#) [284-0102-12100](#) [286-0052-12101A](#) [306022901000000](#) [307-012-502-202](#) [307-056-520-300](#) [A6D22DS29C2](#) [1926088-2](#) [287-0032-12101](#) [345-060-559-303](#) [392-008-559-201](#) [534671-1](#) [341-240-317](#) [345-044-500-300](#) [346-240-318](#) [387-012-523-300](#) [395-100-524-300](#) [09-07-2032](#) [10035388-802LF](#) [10115859-011LF](#) [10122859-009LF](#) [101269333204245CLF](#) [530555-1](#) [66925-516LF](#) [5145409-2](#) [73726-0005](#) [66308-1](#) [5036A30](#) [PEC-07-02-T-S-A](#) [346-014-520-801](#) [KSLX-62-BR](#) [307-048-502-202](#) [CE100F26-7-C](#) [CE100F28-3-D](#) [CE100F28-4-D](#) [CE156F18-9-C](#) [CE156F22-5-D](#) [CE156F22-9-C](#) [CT100F22-2-D](#) [CT100F22-3-D](#) [CT100F24-2-D](#) [CT100F24-3-D](#) [CT100F24-6-C](#) [CT156F22-4-D](#) [MLSS100-12-C](#) [MLSS100-16-C](#)