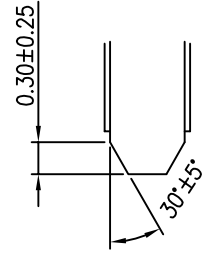
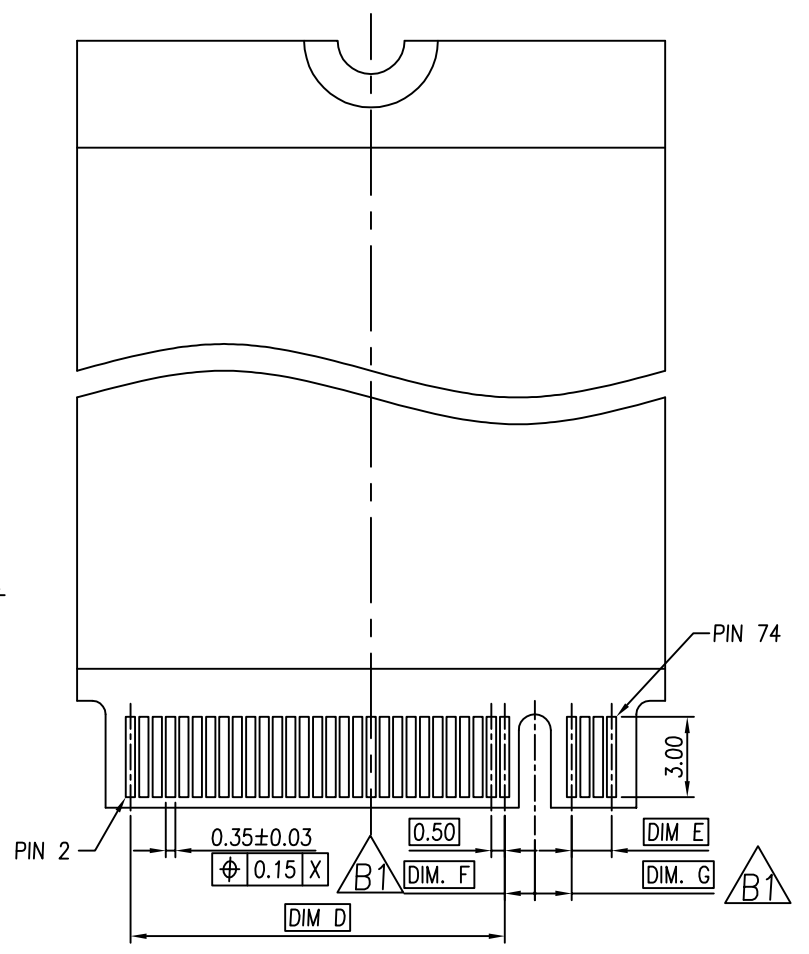
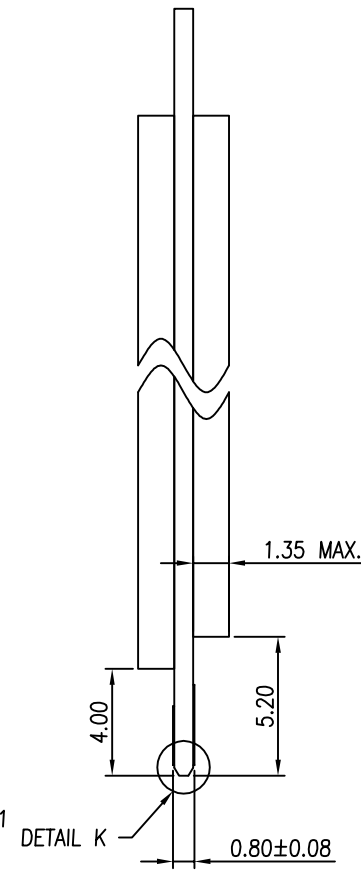
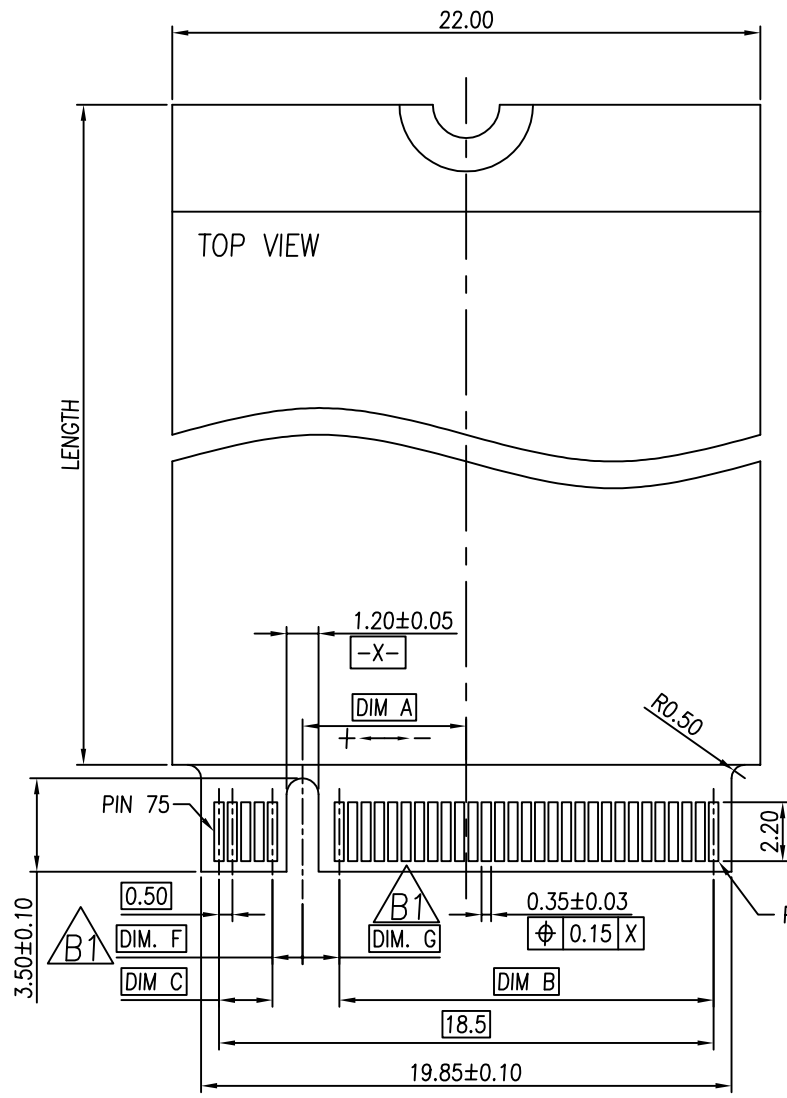


TOLERANCE		UMax conn 东莞市友贸实业有限公司 DONGGUAN UMAX ENTERPRISE LIMITED	TITLE:	
LINEAR	ANGLES		M.2 CONN. P=0.5mm 3.2mm H	
X.±0.40	X'±	APPD: Jason	MAT'L:	PART NO. 91302-32-067RXX
.X±0.30	.X'±			DWG NO. C-91302-32
.XX±0.20	.XX'±	CHKD: Schumi	FINISH:	UNITS MM
.XXX±0.10	.XXX'±	DRWN: Terry	Q'TY:	SCALE 1 : 1

REV	SEE SHEET 1	NAME	DATE
	ECN NO.		



DETAIL K
SCALE: 4:1

TOLERANCE	
LINEAR	ANGLES
X.±0.40	X'±
.X±0.30	.X'±
.XX±0.20	.XX'±
.XXX±0.10	.XXX'±

UMax conn 东莞市友贸实业有限公司 DONGGUAN UMAX ENTERPRISE LIMITED		TITLE:	M.2 CONN. P=0.5mm 3.2mm H			
		PART NO.	91302-32-067RXX			
APPD:	Jason	MAT'L:				
CHKD:	Schumi	FINISH:				
DRWN:	Terry	Q'TY:				

	UNITS	SCALE	SHEET	REV
	MM	1 : 1	3 OF 4	B1

SEE SHEET 1			
REV	ECN NO.	NAME	DATE

NOTES:

1. MATERIAL :

1.1 HOUSING: THERMOPLASTIC, HIGH TEMPERATURE,
UL94 V-0, COLOR: BLACK.

1.2 CONTACT: COPPER ALLOY.

1.3 FITTING NAIL: COPPER ALLOY.

2. FINISH :

2.1 CONTACT

[SEE TABLE] GOLD PLATING ON THE CONTACT AREA.
GOLD FLASH PLATING ON THE SOLDERING AREA.

1.27um~2.54um [50u"~100u"] MIN. NICKEL UNDERPLATING OVERALL.

2.2 FITTING NAIL

2.54um~5.08um [100u"~200u"] MIN. MATTE-TIN PLATING ON THE SOLDERING AREA.

1.27um~2.54um [50u"~100u"] MIN. NICKEL UNDERPLATING OVERALL.

3. PACKAGING SPEC.: K-91302-401

PART NO.:

91302 - 32 - 067 R X X

32: 3.2mm HEIGHT

67 CONTACTS

PACKING OPTIONS
R: TAPE & REEL

KEY ID OPTIONS
A, B, C, D, E, F
G, H, J, K, L, M

CONTACT AREA PLATING
2: GOLD FLASH
C: 15u" GOLD
D: 30u" GOLD



1.375	1.125	1.5	14.0	2.0	14.0	6.125	M
1.375	1.125	2.5	13.0	3.0	13.0	5.125	L
1.375	1.125	3.5	12.0	4.0	12.0	4.125	K
1.375	1.125	4.5	11.0	5.0	11.0	3.125	J
1.375	1.125	5.5	10.0	6.0	10.0	2.125	H
1.375	1.125	6.5	9.0	7.0	9.0	1.125	G
DIM. G	DIM. F	DIM. E	DIM. D	DIM. C	DIM. B	DIM. A	KEY ID

1.125	1.375	9.5	6.0	9.5	6.5	-1.625	F
1.125	1.375	10.5	5.0	10.5	5.5	-2.625	E
1.125	1.375	11.5	4.0	11.5	4.5	-3.625	D
1.125	1.375	12.5	3.0	12.5	3.5	-4.625	C
1.125	1.375	13.5	2.0	13.5	2.5	-5.625	B
1.125	1.375	14.5	1.0	14.5	1.5	-6.625	A
DIM. G	DIM. F	DIM. E	DIM. D	DIM. C	DIM. B	DIM. A	KEY ID

TOLERANCE		UMax 东莞市友贸实业有限公司 conn DONGGUAN UMAX ENTERPRISE LIMITED	
LINEAR	ANGLES	APPD: Jason	MAT'L:
X.±0.40	X'±	CHKD: Schumi	FINISH:
.X±0.30	.X'±	DRWN: Terry	Q'TY:
.XX±0.20	.XX'±		
.XXX±0.10	.XXX'±		

TITLE: M.2 CONN. P=0.5mm 3.2mm H			
PART NO. 91302-32-067RXX			
DWG NO. C-91302-32			
	UNITS	SCALE	SHEET
	MM	1 : 1	4 OF 4
			REV B1

SEE SHEET 1			
REV	ECN NO.	NAME	DATE

X-ON Electronics

Largest Supplier of Electrical and Electronic Components

Click to view similar products for [Standard Card Edge Connectors](#) category:

Click to view products by [UMAX](#) manufacturer:

Other Similar products are found below :

[CR7E-30DB-3.96E\(72\)](#) [6565204-6](#) [1437274-4](#) [EBT15622B2X](#) [1-582587-1](#) [284-0102-12100](#) [286-0052-12101A](#) [306022901000000](#) [307-012-502-202](#) [307-056-520-300](#) [A6D22DS29C2](#) [1926088-2](#) [287-0032-12101](#) [345-060-559-303](#) [392-008-559-201](#) [534671-1](#) [341-240-317](#) [345-044-500-300](#) [346-240-318](#) [387-012-523-300](#) [395-100-524-300](#) [09-07-2032](#) [10035388-802LF](#) [10115859-011LF](#) [10122859-009LF](#) [101269333204245CLF](#) [530555-1](#) [66925-516LF](#) [5145409-2](#) [73726-0005](#) [66308-1](#) [5036A30](#) [PEC-07-02-T-S-A](#) [346-014-520-801](#) [KSLX-62-BR](#) [307-048-502-202](#) [CE100F26-7-C](#) [CE100F28-3-D](#) [CE100F28-4-D](#) [CE156F18-9-C](#) [CE156F22-5-D](#) [CE156F22-9-C](#) [CT100F22-2-D](#) [CT100F22-3-D](#) [CT100F24-2-D](#) [CT100F24-3-D](#) [CT100F24-6-C](#) [CT156F22-4-D](#) [MLSS100-12-C](#) [MLSS100-16-C](#)