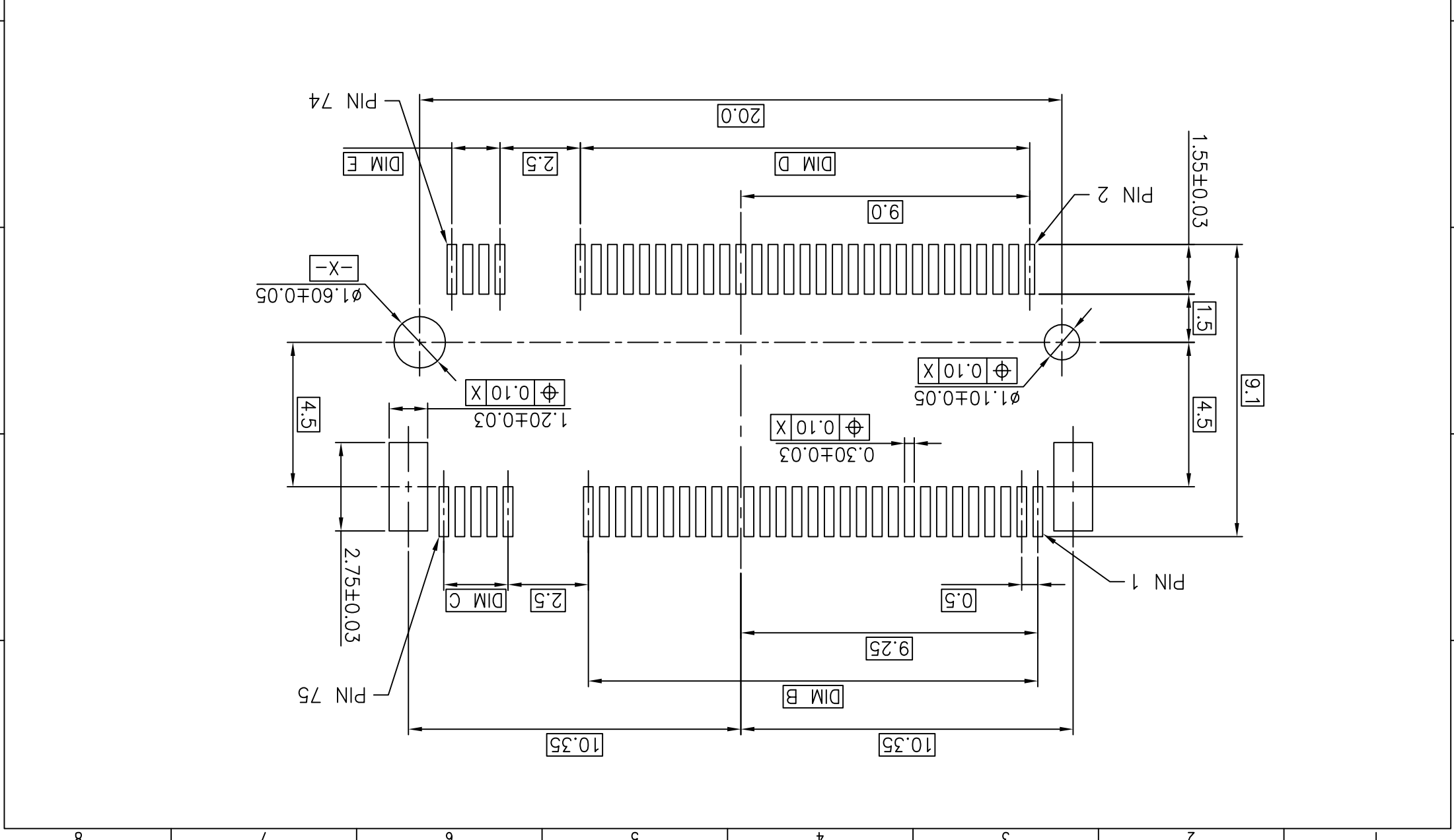
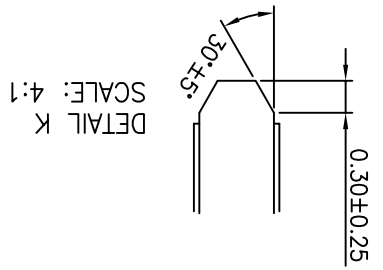
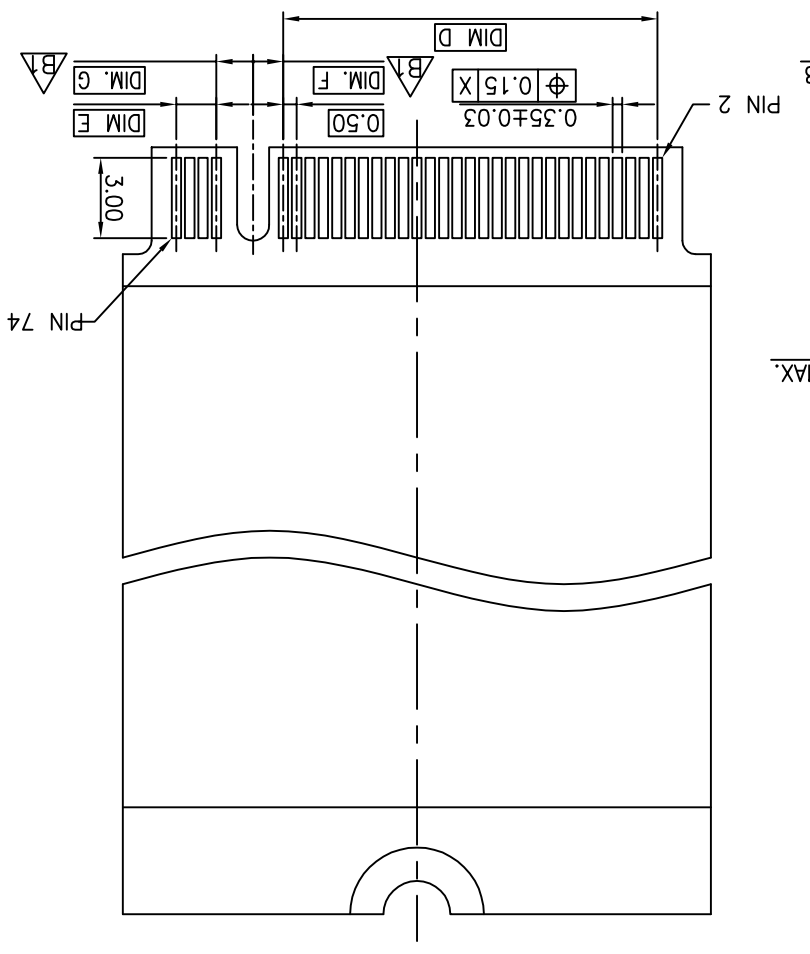
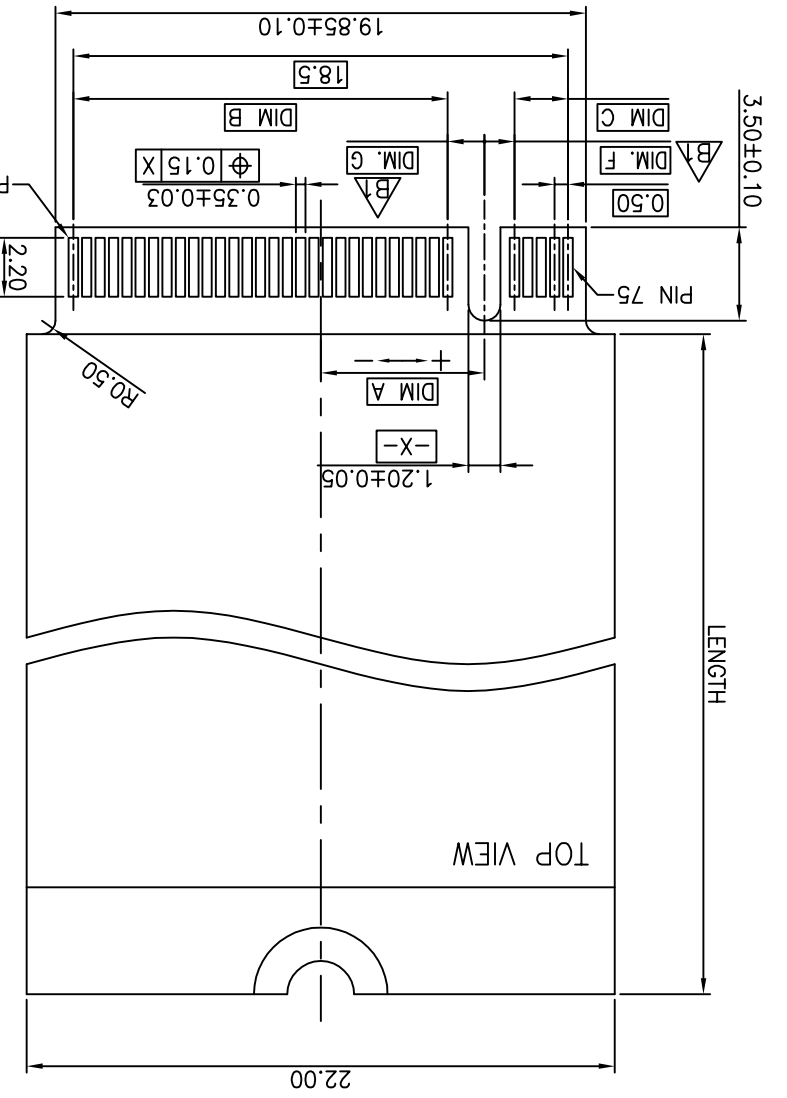


1		2		3		4		5		6		7		8	
REV	ECN NO.	NAME	DATE	.XXX±0.10	.XXX±	DRWN:	Terry	Q'TY:							
A	17014	Terry	May,15,2017	.XX±0.20	.XX±	CHKD:	Schumi	FINISH:							
B	17017	Terry	Jul,19,2017	.X±0.30	.X±	APPD:	Jason	MAT'L:							
B1	----	Lei Songping	Sep,02,2019	X.±0.40	X.±	DONGGUAN UMAX ENTERPRISE LIMITED		PART NO.		91302-42-067RXX		DWG NO.		C-91302-42	
TOLERANCE		LINEAR ANGLES		TITLE:		M.2 CONN. P=0.5		4.2mm H		UNITS		SCALE		SHEET	
						UMax		DONGGUAN UMAX ENTERPRISE LIMITED		MATE: 1		UNMATE: 2		RECOMMENDED OPERATING FLOW:	
						com		东莞市外贸实业有限公司		MATE: 1		UNMATE: 2		RECOMMENDED OPERATING FLOW:	
						8		CUSTOMER		8		7		8	

REV		ECN NO.		NAME		DATE		.XXX±0.10		.XXX±		DRWN: Terry		Q'TY:		7		8 CUSTOMER	
SEE SHEET 1								.XX±0.20		.X±		CHKD: Schumi		FINISH:		MM		REV	
								.X±0.30		.X±		APPD: Jason		MAT'L:		DWG NO.		REV	
								X±0.40		X±		DONGGUAN UMAX ENTERPRISE LIMITED		PART NO.		91302-42-067RXX		REV	
TOLERANCE				LINEAR				ANGLES				UMax conn				TITLE:			
												东莞市外贸实业有限公司				M.2 CONN. P=0.5			
												4.2mm H							





TOLERANCE		LINEAR		X.±0.40		X.±		APPD: Jason		MATERIAL: Jason		DWG NO. C-91302-42	
ANGLES		X.±		X.±0.20		X.±		CHKD: Schumi		FINISH: Terry		QTY:	

TITLE:		M.2 CONN. P=0.5		4.2mm H		91302-42-067RXX		PART NO.		DONGGUAN UMAX ENTERPRISE LIMITED		UMax 东莞市外贸实业有限公司	
REV		ECN NO.		NAME		DATE		DRWN: Terry		QTY:		UNITS	
REV		SEE SHEET 1										SCALE	
REV												SHEET	
REV												3 OF 4	
REV												B1	

8 CUSTOMER

8

7

6

5

4

3

2

1

A

B

C

D

NOTES:
 1. MATERIAL :
 1.1 HOUSING: THERMOPLASTIC, HIGH TEMPERATURE, UL94 V-0, COLOR: BLACK.
 1.2 CONTACT: COPPER ALLOY.
 1.3 FITTING NAIL: COPPER ALLOY.
 2. FINISH :
 2.1 CONTACT
 [SEE TABLE] GOLD PLATING ON THE CONTACT AREA.
 GOLD FLASH PLATING ON THE SOLDERING AREA.
 1.27um~2.54um [50u"~100u"] MIN. NICKEL UNDERPLATING OVERALL.
 2.2 FITTING NAIL
 2.54um~5.08um [100u"~200u"] MIN. MATTE-TIN PLATING ON THE SOLDERING AREA.
 1.27um~2.54um [50u"~100u"] MIN. NICKEL UNDERPLATING OVERALL.
 3. PACKAGING SPEC.: K-91302-401

PART NO.:
 91302 - 42 - 067 R X X

42: 4.2mm HEIGHT

67 CONTACTS

PACKING OPTIONS

R: TAPE & REEL

KEY ID OPTIONS
 A, B, C, D, E, F
 G, H, J, K, L, M
 CONTACT AREA PLATING
 2: GOLD FLASH
 C: 15u" GOLD
 D: 30u" GOLD

DIM. G	DIM. F	DIM. E	DIM. D	DIM. C	DIM. B	DIM. A	KEY ID
1.375	1.125	1.5	14.0	2.0	14.0	6.125	M
1.375	1.125	2.5	13.0	3.0	13.0	5.125	L
1.375	1.125	3.5	12.0	4.0	12.0	4.125	K
1.375	1.125	4.5	11.0	5.0	11.0	3.125	J
1.375	1.125	5.5	10.0	6.0	10.0	2.125	H
1.375	1.125	6.5	9.0	7.0	9.0	1.125	G

DIM. G	DIM. F	DIM. E	DIM. D	DIM. C	DIM. B	DIM. A	KEY ID
1.125	1.375	9.5	6.0	9.5	6.5	-1.625	F
1.125	1.375	10.5	5.0	10.5	5.5	-2.625	E
1.125	1.375	11.5	4.0	11.5	4.5	-3.625	D
1.125	1.375	12.5	3.0	12.5	3.5	-4.625	C
1.125	1.375	13.5	2.0	13.5	2.5	-5.625	B
1.125	1.375	14.5	1.0	14.5	1.5	-6.625	A



TOLERANCE

LINEAR

ANGLES

UMax 东莞市外贸实业有限公司
 DONGGUAN UMAX ENTERPRISE LIMITED

TITLE:

M.2 CONN. P=0.5
 4.2mm H

PART NO. 91302-42-067RXX

DWG NO. C-91302-42

REV	ECN NO.	NAME	DATE	.XXX±0.10	.XX±	CHKD:	DRWN:	Q'TY:
B1	---	Lei Songping	Sep,02,2019	X.±0.40	X.±	APPD: Jason	DRWN: Terry	
B	17017	Terry	Jul,19,2017	.X±0.30	.X±	CHKD: Schumi	DRWN: Terry	
A	17014	Terry	May,15,2017	.XX±0.20	.XX±	CHKD: Schumi	DRWN: Terry	

UNITS	SCALE	SHEET	REV
MM	1 : 1	4 OF 4	B1

8	7	6	5	4	3	2	1
CUSTOMER							

X-ON Electronics

Largest Supplier of Electrical and Electronic Components

Click to view similar products for [Backplane Connectors](#) category:

Click to view products by [UMAX](#) manufacturer:

Other Similar products are found below :

[91302-42-067RDM](#) [91302-85-067RDM](#)