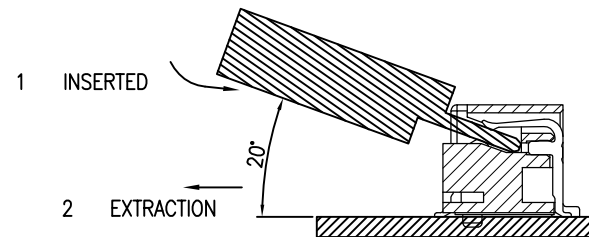
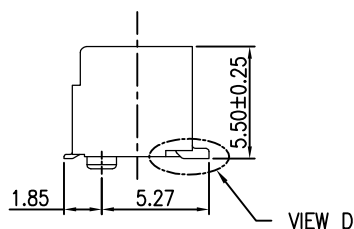
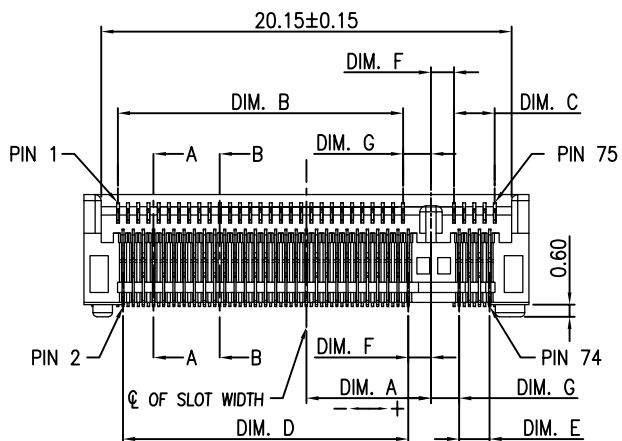


VIEW D  
SCALE 4:1

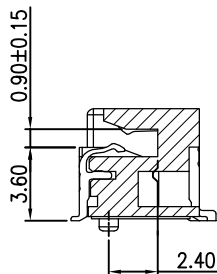
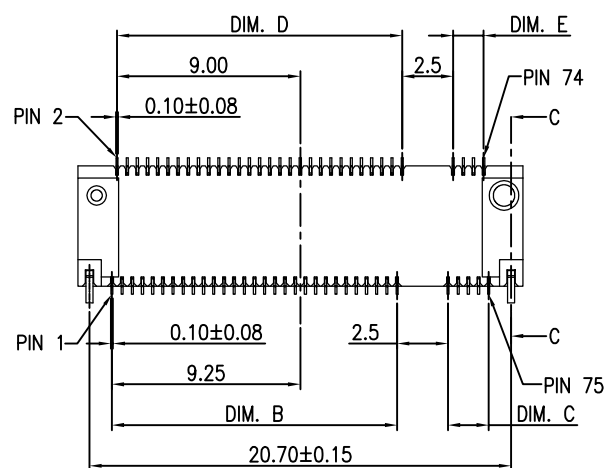
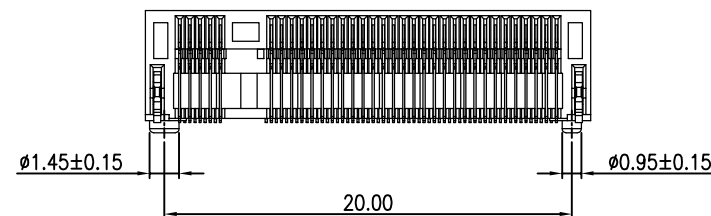
ALL SOLDERTAIL  
& FITTING NAIL



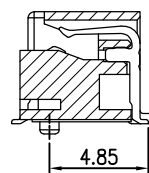
RECOMMENDED OPERATING FLOW:  
MATE: 1  
UNMATE: 2



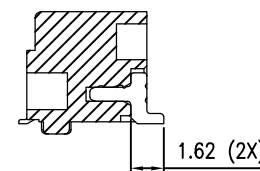
VIEW D



SECTION A-A



SECTION B-B

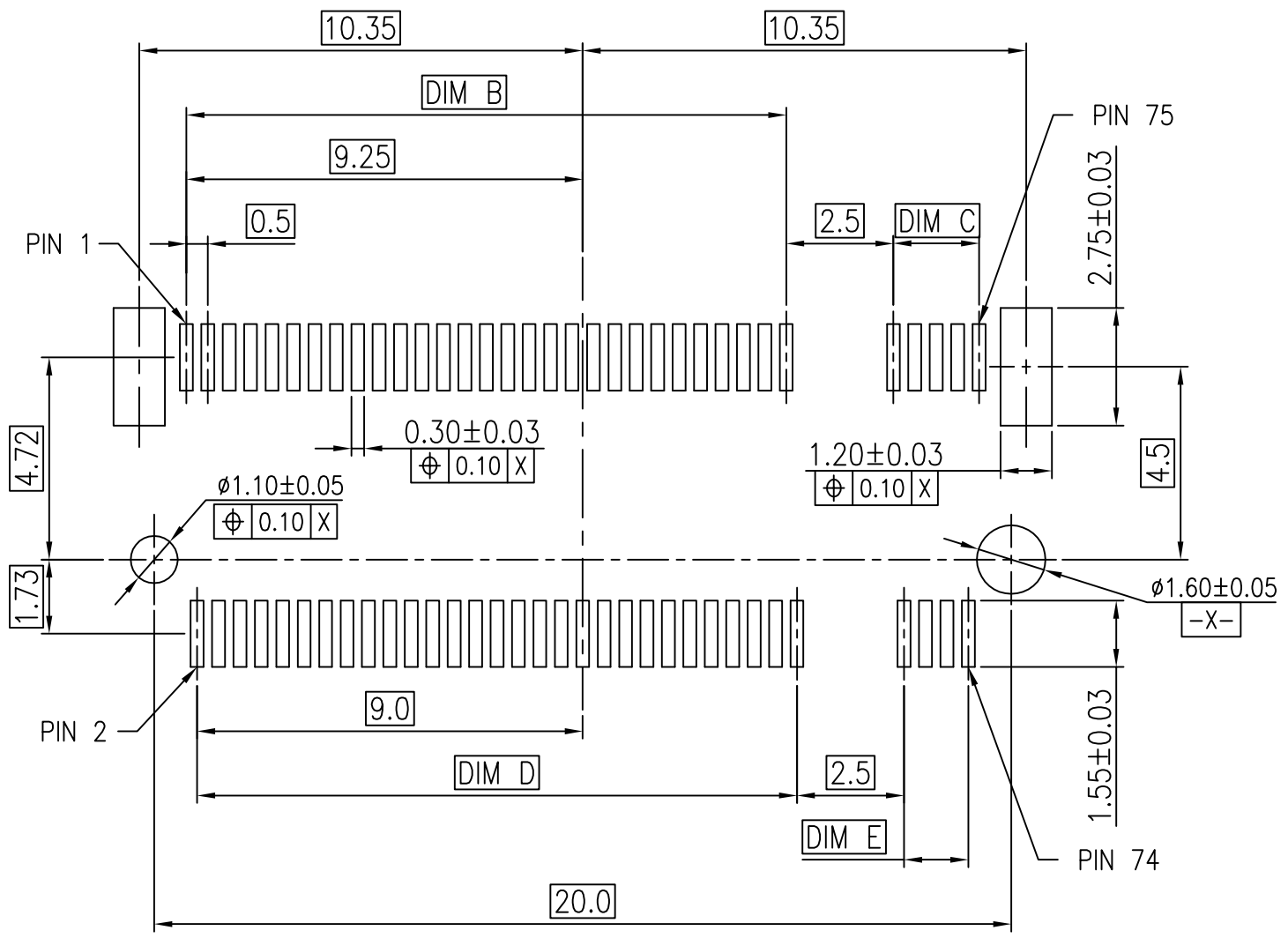


SECTION C-C

TOLERANCE		UMax conn 东莞市友贸实业有限公司 DONGGUAN UMAXCONN ENTERPRISE LIMITED	TITLE:	
LINEAR	ANGLES		M.2 CONN. P=0.5 5.5mm H	
X.±0.40	X'±	APPD: Jason	MAT'L:	PART NO. 91302-55-067RXX
.X±0.30	.X'±	CHKD: Schumi	FINISH:	DWG NO. C-91302-55
.XX±0.20	.XX'±	DRWN: Terry	Q'TY:	UNITS: MM
.XXX±0.10	.XXX'±			SCALE: 1 : 1

REV	ECN NO.	NAME	DATE
0	----	Schumi	Sept,22,2020

UNITS	SCALE	SHEET	REV
MM	1 : 1	1 OF 4	0

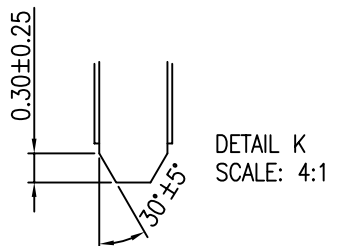
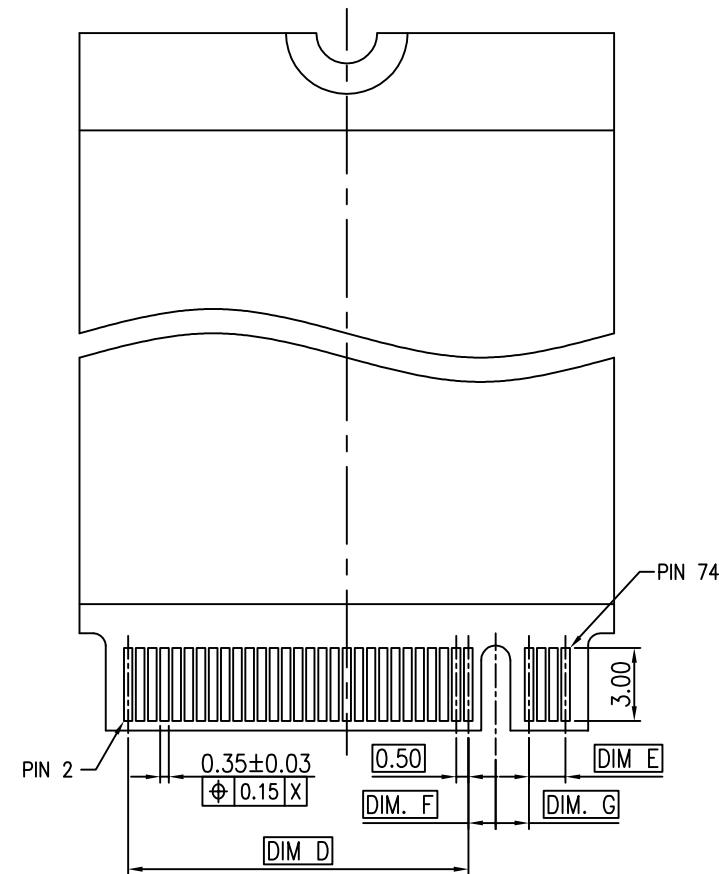
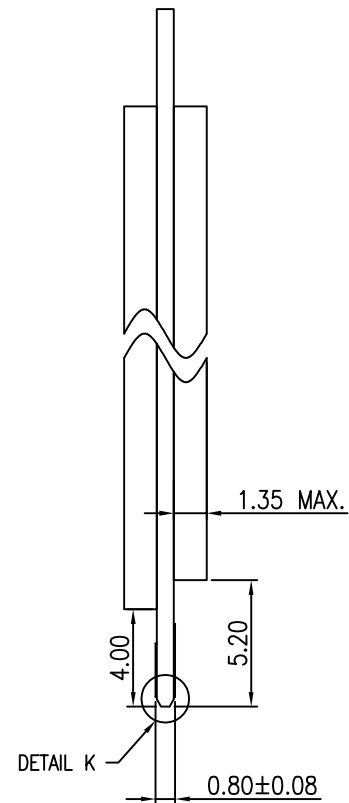
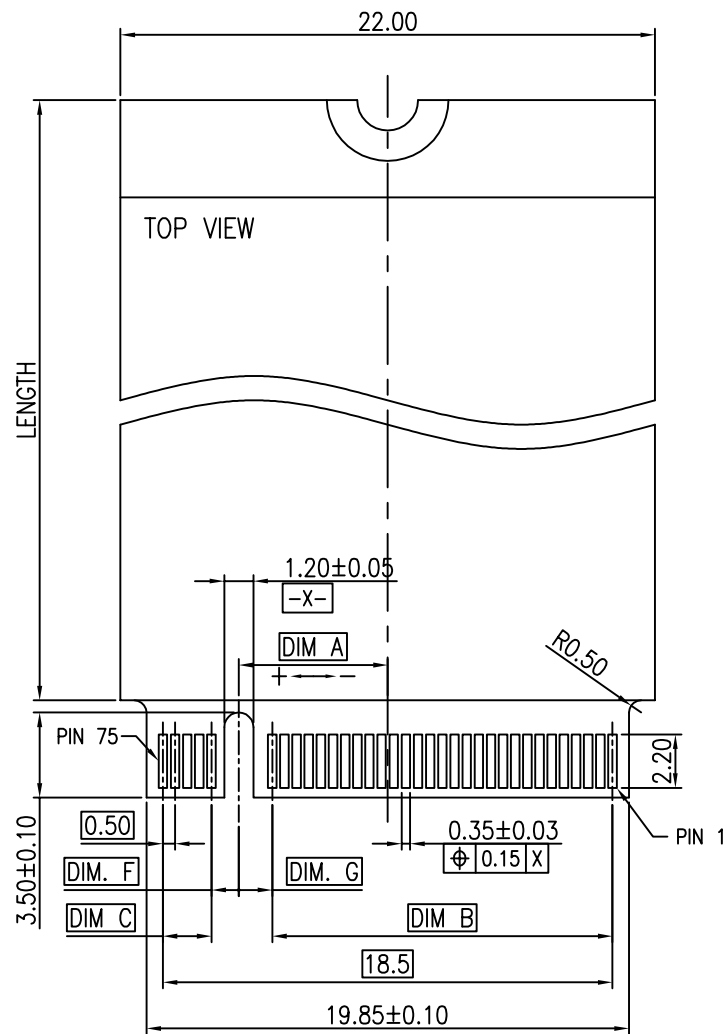


TOLERANCE	
LINEAR	ANGLES
X.±0.40	X'±
.X±0.30	.X'±
.XX±0.20	.XX'±
.XXX±0.10	.XXX'±

<b>UMax conn</b> 东莞市友贸实业有限公司 DONGGUAN UMAXCONN ENTERPRISE LIMITED		TITLE:	M.2 CONN. P=0.5 5.5mm H		
		PART NO.	91302-55-067RXX		
APPD:	Jason	MAT'L:			
CHKD:	Schumi	FINISH:			
DRWN:	Terry	Q'TY:			

DWG NO.	C-91302-55			
UNITS	SCALE	SHEET	REV	
MM	1 : 1	2 OF 4	0	

SEE SHEET 1			
REV	ECN NO.	NAME	DATE



TOLERANCE	
LINEAR	ANGLES
X.±0.40	X'±
.X±0.30	.X'±
.XX±0.20	.XX'±
.XXX±0.10	.XXX'±

<b>UMax conn</b> 东莞市友贸实业有限公司 DONGGUAN UMAXCONN ENTERPRISE LIMITED	
APPD: Jason	MAT'L:
CHKD: Schumi	FINISH:
DRWN: Terry	Q'TY:

TITLE: M.2 CONN. P=0.5 5.5mm H			
PART NO. 91302-55-067RXX			
DWG NO. C-91302-55			
UNITS	SCALE	SHEET	REV
MM	1 : 1	3 OF 4	0

REV	SEE SHEET 1	NAME	DATE
	ECN NO.		

NOTES:

1. MATERIAL :
  - 1.1 HOUSING: THERMOPLASTIC, HIGH TEMPERATURE,  
UL94 V-0, COLOR: BLACK.
  - 1.2 CONTACT: COPPER ALLOY.
  - 1.3 FITTING NAIL: COPPER ALLOY.
2. FINISH :
  - 2.1 CONTACT  
[SEE TABLE] GOLD PLATING ON THE CONTACT AREA.  
GOLD FLASH PLATING ON THE SOLDERING AREA.  
1.27um~2.54um [50u"~100u"] MIN. NICKEL UNDERPLATING OVERALL.
  - 2.2 FITTING NAIL  
2.54um~5.08um [100u"~200u"] MIN. MATTE-TIN PLATING ON THE SOLDERING AREA.  
1.27um~2.54um [50u"~100u"] MIN. NICKEL UNDERPLATING OVERALL.
3. PACKAGING SPEC.: K-91302-402

PART NO.:

91302-55 - 067 R X X

55: 5.5mm HEIGHT

67 CONTACTS

PACKING OPTIONS  
R: TAPE & REEL

KEY ID OPTIONS  
A, B, C, D, E, F  
G, H, J, K, L, M

CONTACT AREA PLATING  
2: GOLD FLASH  
C: 15u" GOLD  
D: 30u" GOLD

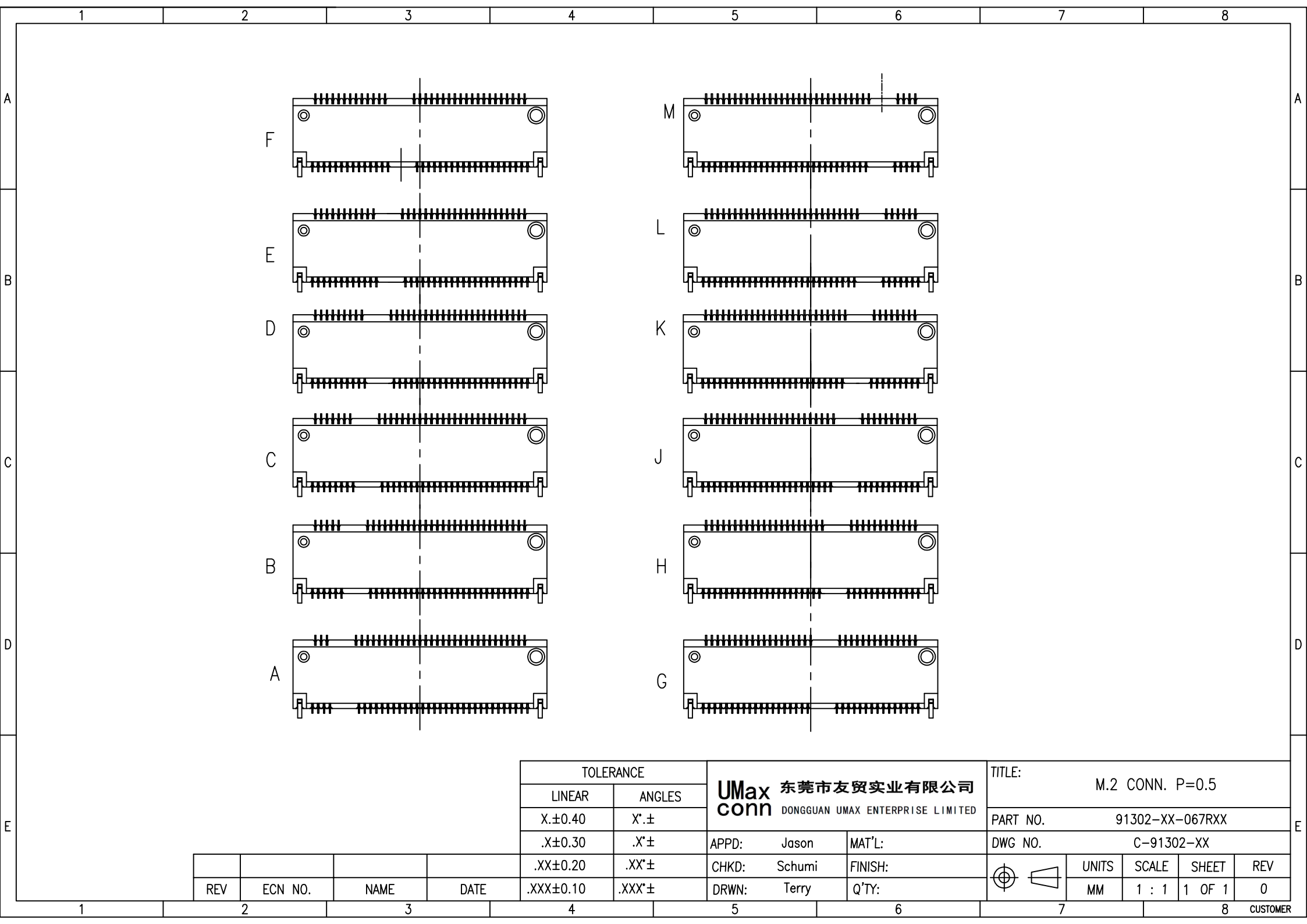
1.375	1.125	1.5	14.0	2.0	14.0	6.125	M
1.375	1.125	2.5	13.0	3.0	13.0	5.125	L
1.375	1.125	3.5	12.0	4.0	12.0	4.125	K
1.375	1.125	4.5	11.0	5.0	11.0	3.125	J
1.375	1.125	5.5	10.0	6.0	10.0	2.125	H
1.375	1.125	6.5	9.0	7.0	9.0	1.125	G
DIM. G	DIM. F	DIM. E	DIM. D	DIM. C	DIM. B	DIM. A	KEY ID

1.125	1.375	9.5	6.0	9.5	6.5	-1.625	F
1.125	1.375	10.5	5.0	10.5	5.5	-2.625	E
1.125	1.375	11.5	4.0	11.5	4.5	-3.625	D
1.125	1.375	12.5	3.0	12.5	3.5	-4.625	C
1.125	1.375	13.5	2.0	13.5	2.5	-5.625	B
1.125	1.375	14.5	1.0	14.5	1.5	-6.625	A
DIM. G	DIM. F	DIM. E	DIM. D	DIM. C	DIM. B	DIM. A	KEY ID

TOLERANCE		<b>UMax conn</b> 东莞市友贸实业有限公司 DONGGUAN UMAXCONN ENTERPRISE LIMITED	TITLE:		
LINEAR	ANGLES		M.2 CONN. P=0.5 5.5mm H		
X.±0.40	X'±		APPD: Jason	PART NO. 91302-55-067RXX	
.X±0.30	.X'±		MAT'L:	DWG NO. C-91302-55	
.XX±0.20	.XX'±	CHKD: Schumi	FINISH:		
.XXX±0.10	.XXX'±	DRWN: Terry	Q'TY:		

	UNITS	SCALE	SHEET	REV
	MM	1 : 1	4 OF 4	0

REV	ECN NO.	NAME	DATE
	SEE SHEET 1		



TOLERANCE	
LINEAR	ANGLES
X.±0.40	X'±
.X±0.30	.X'±
.XX±0.20	.XX'±
.XXX±0.10	.XXX'±

**UMax** 东莞市友贸实业有限公司  
**conn** DONGGUAN UMAX ENTERPRISE LIMITED

APPD: Jason    MAT'L:  
 CHKD: Schumi    FINISH:  
 DRWN: Terry    Q'TY:

TITLE:		M.2 CONN. P=0.5			
PART NO.		91302-XX-067RXX			
DWG NO.		C-91302-XX			
	UNITS	SCALE	SHEET	REV	
	MM	1 : 1	1 OF 1	0	

REV	ECN NO.	NAME	DATE

## X-ON Electronics

Largest Supplier of Electrical and Electronic Components

*Click to view similar products for [Standard Card Edge Connectors](#) category:*

*Click to view products by [UMAX](#) manufacturer:*

Other Similar products are found below :

[CR7E-30DB-3.96E\(72\)](#) [6565204-6](#) [1437274-4](#) [EBT156-22R2W](#) [1-582587-1](#) [284-0102-12100](#) [286-0052-12101A](#) [306022901000000](#) [307-056-520-300](#) [A6D22DS29C2](#) [1926088-2](#) [245-062-520-350](#) [287-0032-12101](#) [306-028-525-102](#) [307-072-526-202](#) [345-060-559-303](#) [534671-1](#) [341-240-317](#) [345-044-500-300](#) [346-240-318](#) [395-100-524-300](#) [09-07-2032](#) [10035388-802LF](#) [10115859-011LF](#) [10122859-009LF](#) [101269333204245CLF](#) [530555-1](#) [66925-516LF](#) [5145409-2](#) [73726-0005](#) [66308-1](#) [5036A30](#) [PEC-07-02-T-S-A](#) [KSLX-62-BR](#) [CE100F26-7-C](#) [CE100F28-3-D](#) [CE100F28-4-D](#) [CE156F22-9-C](#) [CT100F24-3-D](#) [CT100F24-6-C](#) [MLSS100-12-C](#) [SCC100F-11-C](#) [SCC100F-20-C](#) [SCC100F-24-C](#) [SCC100F-25-C](#) [3-530656](#) [285-0112-12300](#) [346-068-556-300](#) [284-0492-11000](#) [287-0032-12301](#)