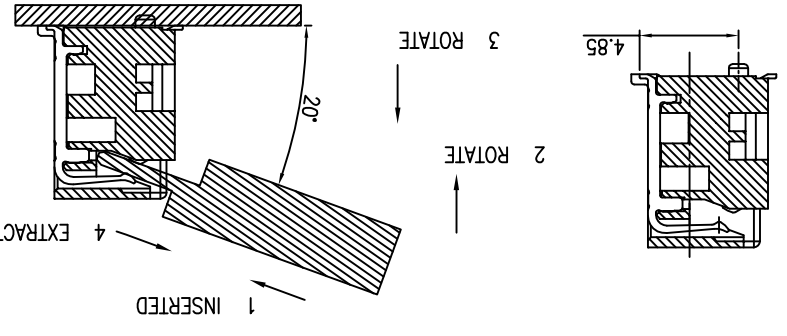
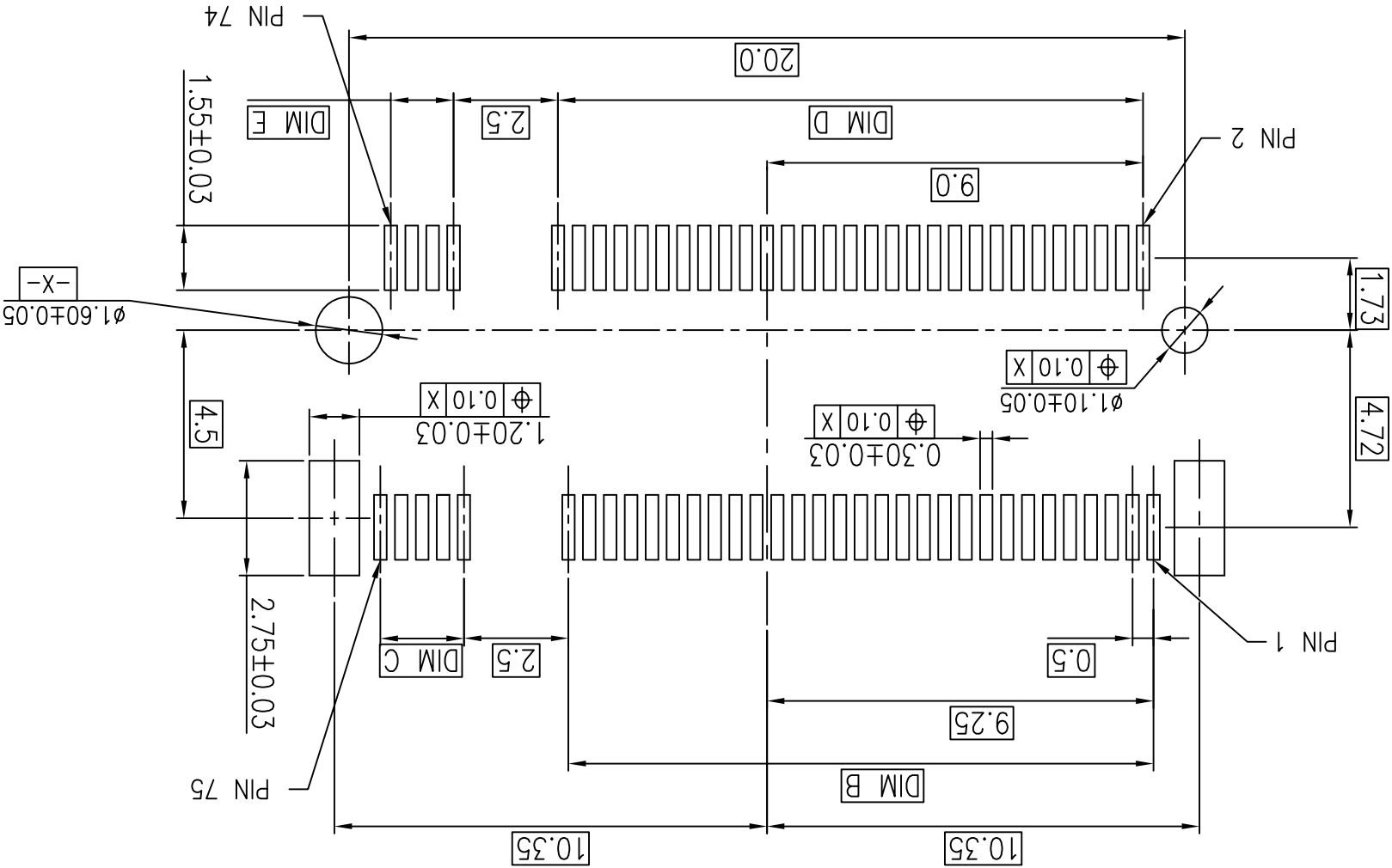


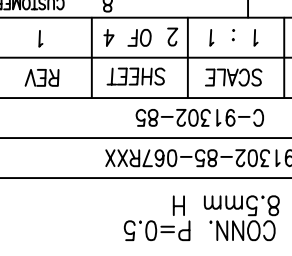
RECOMMENDED OPERATING FLOW:  
 MATE: 1, 2  
 UNMATE: 3, 4



1	REV	1	ECN NO.	----	NAME	Lei Songping	DATE	Dec,18,2019	.XXX±0.10	.XXX±	DRWN:	Terry	Q'TY:	7	8
	REV	1	ECN NO.	----	NAME	Lei Songping	DATE	Dec,18,2019	.XXX±0.10	.XXX±	CHKD:	Schumi	FINISH:	Q'TY:	
2	PART NO.	91302-85-067RXX		DWG NO.	C-91302-85		APPD:	Jason	MAT'L:						7
	TITLE:	M.2 CONN. P=0.5 8.5mm H													
3	LINEAR	X.±0.40		ANGLES	X.±		DONGGUAN UMAX ENTERPRISE LIMITED			UMax 东莞市外贸实业有限公司			6		
	TOLERANCE	X.±													
4	MM	1:1		SCALE	SHEET		REVISION					5			
	MM	1:1		SCALE	SHEET		REVISION								
5	MM	1:1		SCALE	SHEET		REVISION					4			
	MM	1:1		SCALE	SHEET		REVISION								
6	MM	1:1		SCALE	SHEET		REVISION					3			
	MM	1:1		SCALE	SHEET		REVISION								
7	MM	1:1		SCALE	SHEET		REVISION					2			
	MM	1:1		SCALE	SHEET		REVISION								
8	MM	1:1		SCALE	SHEET		REVISION					1			
	MM	1:1		SCALE	SHEET		REVISION								



REV		ECON NO.	NAME	DATE	.XXX±.10	.XXX±	DRWN: Terry	Q'TY:	7		
SEE SHEET 1					.XX±.20	.XX±	CHKD: Schumi	FINISH:	6		
					.X±.30	.X±	APPD: Jason	MAT'L:	5		
					X.±.40	X.±	<b>UMax</b> DONGGUAN UMAX ENTERPRISE LIMITED 东莞市友贸实业有限公司	PART NO.	4		
					LINEAR	ANGLES		TITLE:	3		
					TOLERANCE			M.2 CONN. P=0.5	2		
								8.5mm H	1		
								91302-85-067RXX	8		
								C-91302-85	7		
								UNITS	6		
								SCALE	5		
								1:1	4		
								2 OF 4	3		
								MM	2		
									1		



8 CUSTOMER

1

2

3

4

5

6

7

8

A

B

C

D

E

1

2

3

4

5

6

7

8

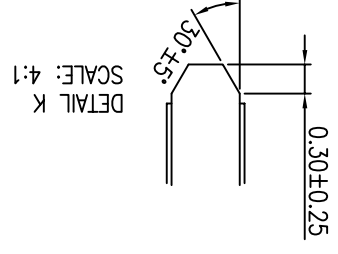
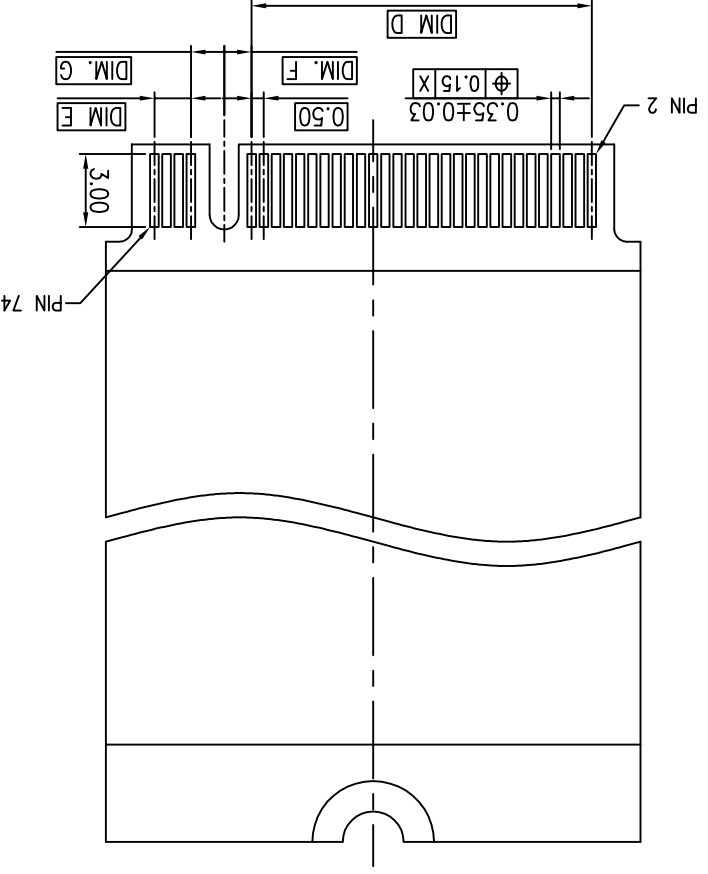
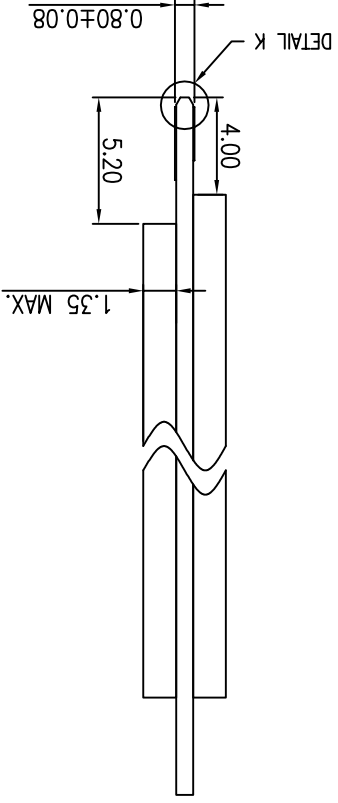
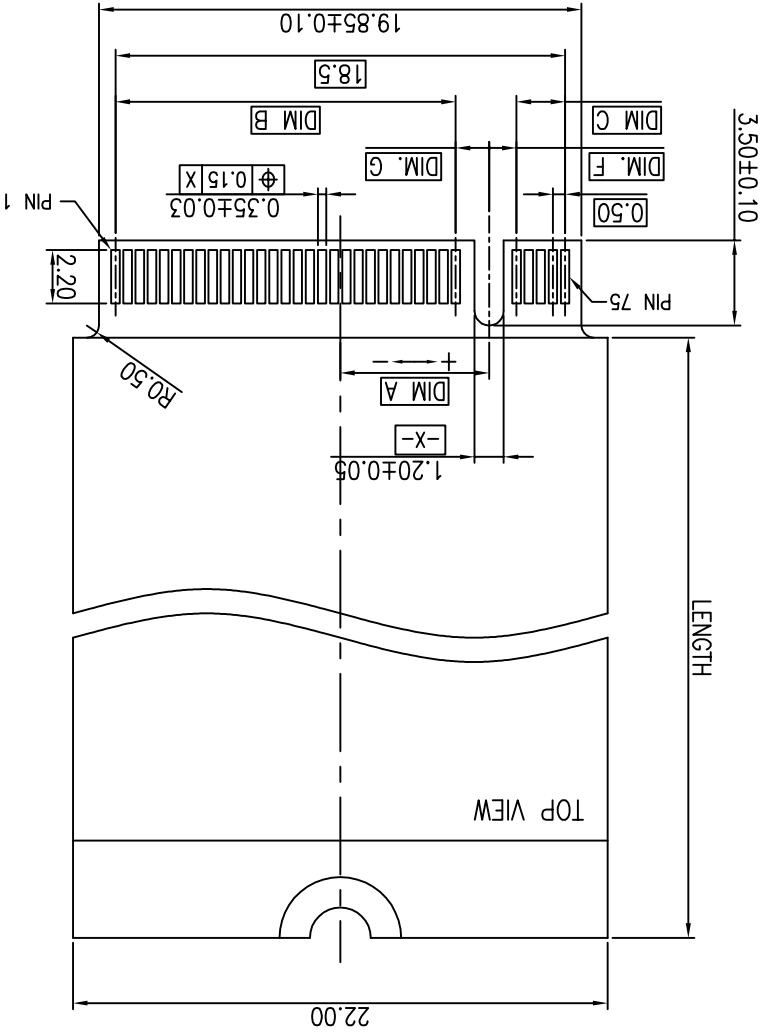
A

B

C

D

E



REV		ECN NO.	NAME	DATE	.XXX±.10	.XXX±	DRWN: Terry	Q'TY:	7			8
SEE SHEET 1		1			.XX±0.20	.XX±	CHKD: Schumi	FINISH:	UNITS			REV
					.X±0.30	.X±	APPD: Jason	MAT'L:	DWG NO.			1
					X.±0.40	X.±	<b>Umax</b> DONGGUAN UMAX ENTERPRISE LIMITED 东莞市友贸实业有限公司	PART NO.				
					TOLERANCE			TITLE:				
					LINEAR ANGLES		M.2 CONN. P=0.5			8.5mm H		
							91302-85-067RXX			SCALE	3 OF 4	
							C-91302-85			SHEET		

8 CUSTOMER

A

B

C

D

E

1

8

7

6

5

4

3

2

1

NOTES:

- MATERIAL :
- 1.1 HOUSING: THERMOPLASTIC, HIGH TEMPERATURE, UL94 V-0, COLOR: BLACK.
- 1.2 CONTACT: COPPER ALLOY.
- 1.3 FITTING NAIL: COPPER ALLOY.

- 2.1 CONTACT  
 [SEE TABLE] GOLD PLATING ON THE CONTACT AREA.  
 GOLD FLASH PLATING ON THE SOLDERING AREA.  
 1.2um~2.54um [50u"~100u"] MIN. NICKEL UNDERPLATING OVERALL.  
 2.2 FITTING NAIL  
 2.54um~5.08um [100u"~200u"] MIN. MATTE-TIN PLATING ON THE SOLDERING AREA.  
 1.2um~2.54um [50u"~100u"] MIN. NICKEL UNDERPLATING OVERALL.
3. PACKAGING SPEC.: K-91302-402

PART NO.:

91302-85 - 067 R X X

85: 8.5mm HEIGHT

67 CONTACTS

R: TAPE & REEL  
 PACKING OPTIONS

KEY ID OPTIONS  
 A, B, C, D, E, F  
 G, H, J, K, L, M

2: GOLD FLASH  
 CONTACT AREA PLATING

C: 15u" GOLD  
 D: 30u" GOLD

DIM. G	DIM. F	DIM. E	DIM. D	DIM. C	DIM. B	DIM. A	KEY ID
1.375	1.125	1.5	14.0	2.0	14.0	6.125	M
1.375	1.125	2.5	13.0	3.0	13.0	5.125	L
1.375	1.125	3.5	12.0	4.0	12.0	4.125	K
1.375	1.125	4.5	11.0	5.0	11.0	3.125	J
1.375	1.125	5.5	10.0	6.0	10.0	2.125	H
1.375	1.125	6.5	9.0	7.0	9.0	1.125	G

DIM. G	DIM. F	DIM. E	DIM. D	DIM. C	DIM. B	DIM. A	KEY ID
1.125	1.375	9.5	6.0	9.5	6.5	-1.625	F
1.125	1.375	10.5	5.0	10.5	5.5	-2.625	E
1.125	1.375	11.5	4.0	11.5	4.5	-3.625	D
1.125	1.375	12.5	3.0	12.5	3.5	-4.625	C
1.125	1.375	13.5	2.0	13.5	2.5	-5.625	B
1.125	1.375	14.5	1.0	14.5	1.5	-6.625	A

TOLERANCE

LINEAR ANGLES

**Umax**  
 DONGGUAN UMAX ENTERPRISE LIMITED  
 东莞市友贸实业有限公司

TITLE:

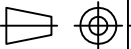
M.2 CONN. P=0.5  
 8.5mm H

PART NO. 91302-85-067RXX

DWG NO. C-91302-85

REV	ECON NO.	NAME	DATE	.XXX±0.10	.XX±	CHKD: Schumi	FINISH:	DRWN: Terry	Q'TY:
SEE SHEET 1				.X±0.30	.X±	APPD: Jason	MAT'L:		

UNITS	SCALE	SHEET	REV
MM	1 : 1	4 OF 4	1



## **X-ON Electronics**

Largest Supplier of Electrical and Electronic Components

*Click to view similar products for [Backplane Connectors](#) category:*

*Click to view products by [UMAX](#) manufacturer:*

Other Similar products are found below :

[91302-42-067RDM](#) [91302-85-067RDM](#)