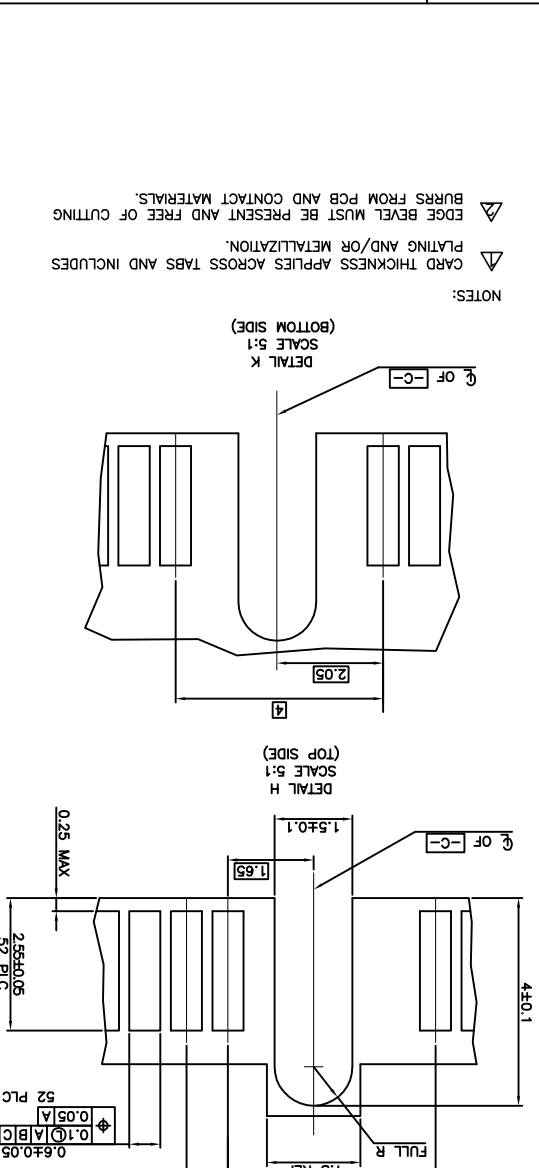
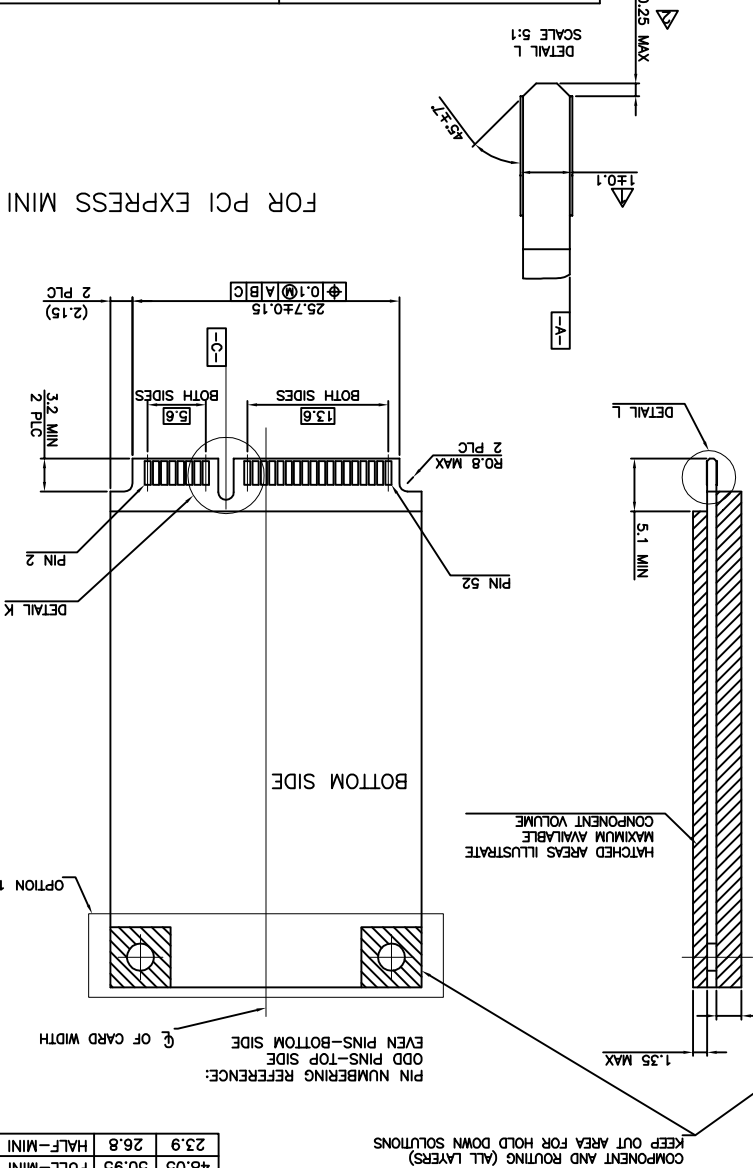
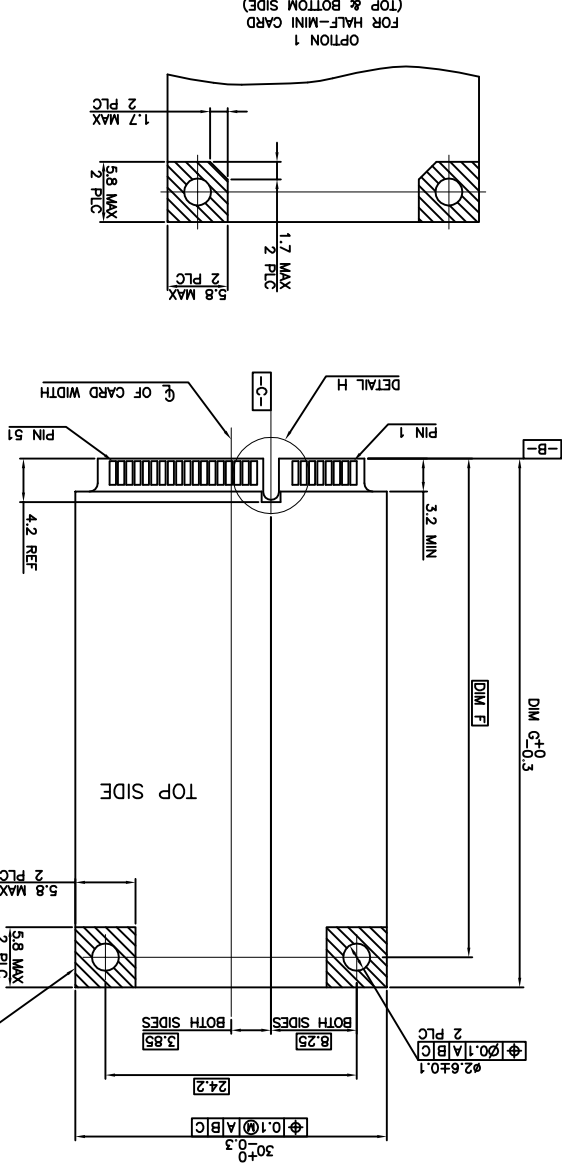








|   |                           |          |                    |             |           |       |                                      |         |   |        |          |
|---|---------------------------|----------|--------------------|-------------|-----------|-------|--------------------------------------|---------|---|--------|----------|
| 1 | REV                       | ECCN NO. | NAME               | DATE        | .XXX±     | .XXX± | DRWN: Lei Songping                   | Q'TY:   | 7 | 8      | CUSTOMER |
| 2 | 0                         | ----     | Lei Songping       | Jun,06,2019 | .XX±      | .XX±  | CHKD: Schumi                         | FINISH: | 6 | 4 OF 5 |          |
| 3 |                           |          |                    |             | .X±       | .X±   | APPD: Jason                          | MAT'L:  | 5 | SHEET  | REV      |
| 4 |                           |          |                    |             | X.±       | X.±   | DONGGUAN UMAXCONN ENTERPRISE LIMITED |         | 4 | SCALE  |          |
| 5 | TOLERANCE                 |          | LINEAR             |             | ANGLES    |       | TITLE: MINI PCI EXPRESS 7.0MM HEIGHT |         | 3 | UNITS  |          |
| 6 | PART NO. 91304-70-052RXXX |          | DWG NO. C-91304-70 |             | REVISIONS |       | REVISIONS                            |         | 2 | MM     |          |
| 7 |                           |          |                    |             |           |       |                                      |         | 1 | 1:1    |          |
| 8 |                           |          |                    |             |           |       |                                      |         | 0 | 4 OF 5 |          |



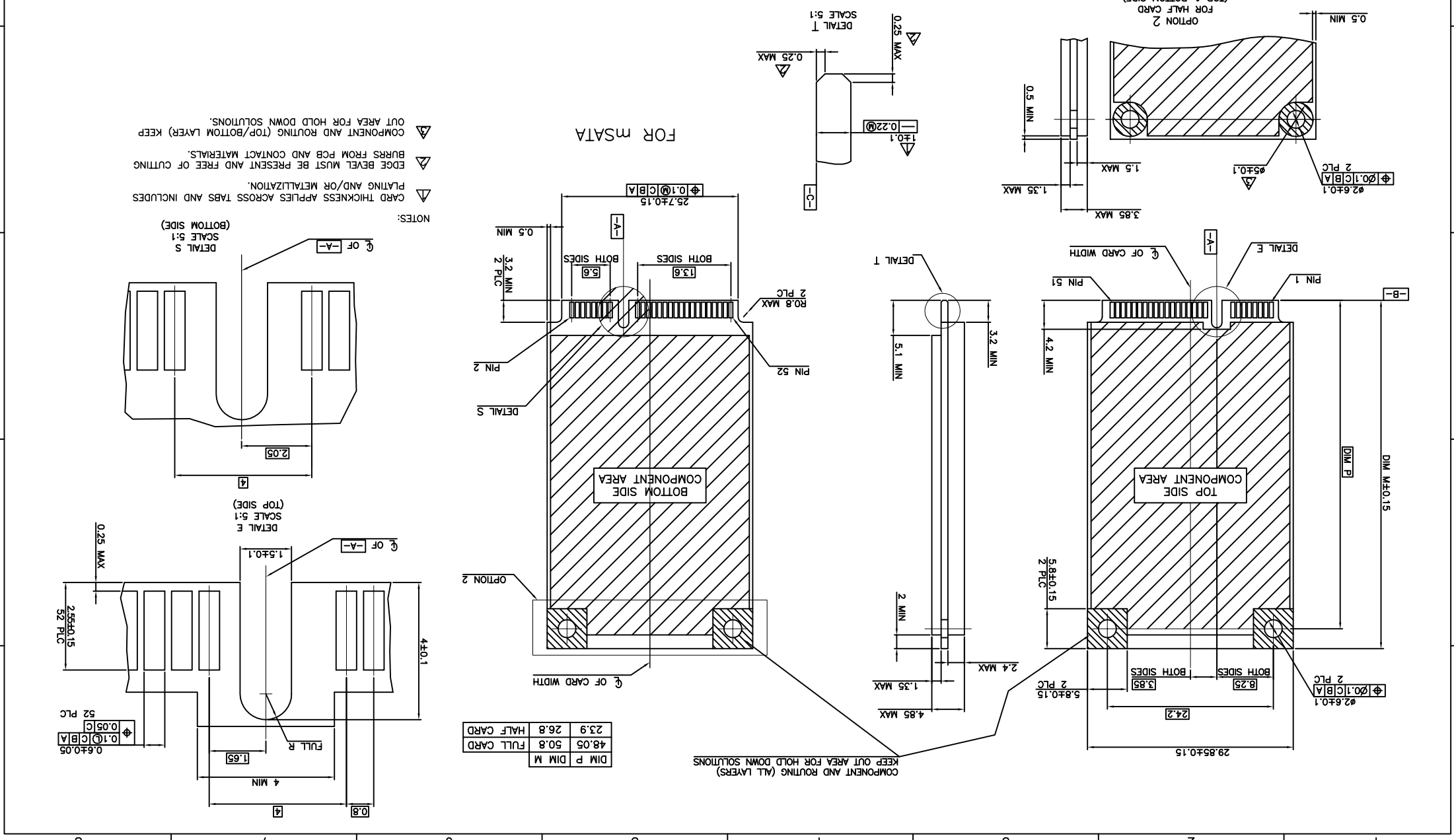
|                |       |
|----------------|-------|
| DIM F          | DIM G |
| 48.05          | 50.95 |
| 23.9           | 26.8  |
| FULL-MINI CARD |       |
| HALF-MINI CARD |       |

NOTES:

- △ CARD THICKNESS APPLIES ACROSS TABS AND INCLUDES PLATING AND/OR METALLIZATION.
- △ EDGE BEVEL MUST BE PRESENT AND FREE OF CUTTING BURRS FROM PCB AND CONTACT MATERIALS.

FOR PCI EXPRESS MINI CARD

|   |     |         |              |             |           |       |  |         |   |   |          |
|---|-----|---------|--------------|-------------|-----------|-------|--|---------|---|---|----------|
| 1 | REV | ECN NO. | NAME         | DATE        | .XXX±     | .XXX± | DRWN: Lei Songping                                       | Q'TY:   | 7 | 8 | CUSTOMER |
| 0 | --- | ---     | Lei Songping | Jun,06,2019 | .XX±      | .XX±  | CHKD: Schumi   | FINISH: | 6 | 5 |          |
|   |     |         |              |             | .X±       | .X±   | APPD: Jason  | MAT'L:  | 5 | 4 |          |
|   |     |         |              |             | X.±       | X.±   | Umax 东莞市外贸实业有限公司<br>DONGGUAN UMAXCONN ENTERPRISE LIMITED |         | 4 | 3 |          |
|   |     |         |              |             | TOLERANCE |       | TITLE: MINI PCI EXPRESS 7.0MM HEIGHT                     |         | 3 | 2 |          |
|   |     |         |              |             | LINEAR    |       | PART NO. 91304-70-052RXXX                                |         | 2 | 1 |          |
|   |     |         |              |             | ANGLES    |       | DWG NO. C-91304-70                                       |         | 1 | 0 |          |
|   |     |         |              |             |           |       |  |         |   |   |          |



## X-ON Electronics

Largest Supplier of Electrical and Electronic Components

*Click to view similar products for [Standard Card Edge Connectors](#) category:*

*Click to view products by [UMAX](#) manufacturer:*

Other Similar products are found below :

[6565204-6](#) [PKC-156](#) [1437274-4](#) [147889-1](#) [1489165-4](#) [EBT156-12B1X](#) [EBT15622B2X](#) [EBT156-22R2W](#) [1-582587-1](#) [1-582589-1](#) [2-6437275-9](#) [284-0102-12100](#) [306022901000000](#) [307-012-502-202](#) [307-024-526-201](#) [307-056-520-300](#) [307-080-526-208](#) [1926088-2](#) [245-062-520-350](#) [287-0032-12101](#) [306-010-500-112](#) [306-028-525-102](#) [306-240-318](#) [307-036-502-202](#) [307-036-521-301](#) [307-072-526-202](#) [345-060-559-303](#) [368-004-520-201](#) [392-008-559-201](#) [534671-1](#) [5-530501-5](#) [341-240-317](#) [345-029-520-300](#) [345-030-500-301](#) [345-044-500-300](#) [345-220-058](#) [346-240-318](#) [357-030-526-201](#) [387-012-523-300](#) [395-044-520-300](#) [395-100-524-300](#) [50-12B-10](#) [50-6SN-5](#) [09-07-2032](#) [10035388-106LF](#) [10035388-802LF](#) [10115859-011LF](#) [10122859-009LF](#) [101269333204245CLF](#) [10127905-B04B24BLF](#)