



NOTES:  
 1. MATERIAL: HOUSING: THERMOPLASTIC, HIGH TEMP, UL94V-0, BLACK COLOR,  
 CONTACTS: COPPER ALLOY.  
 PEGS: COPPER ALLOY.

2. FINISH:  
 CONTACTS: SELECTED GOLD PLATING ON THE CONTACT AREA,  
 1u" MIN. GOLD PLATING ON THE SOLDERTAILS,  
 50 u" MIN. NICKEL UNDERPLATING OVER ALL.  
 PEGS: 120u" MIN. MATTE-TIN OVER 50u" MIN. NICKEL.

3. PACKAGING SPECIFICATION: 9130404001

4. PRODUCT SPECIFICATION: PS-MINI PCI-E-01

5. DATE CODE: YYYWDD

YY: YEAR (19: 2019)  
 WW: WEEK (25: THE 25TH WEEK)  
 DD: (D1~D7: SUNDAY~SATURDAY)

PRODUCT NUMBER CODE

91304 - 90-052 R X XX



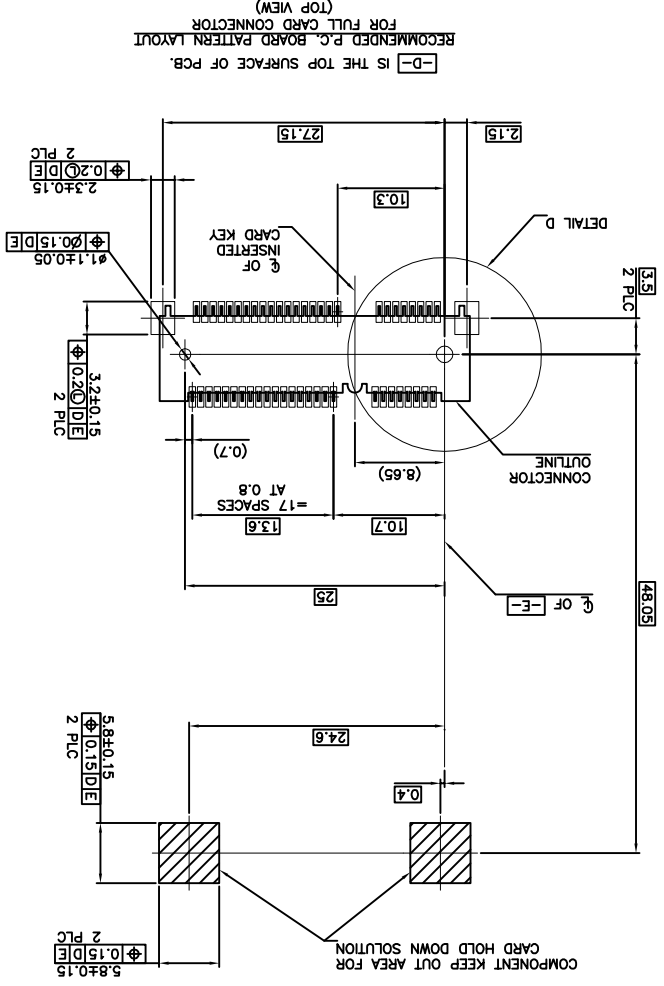
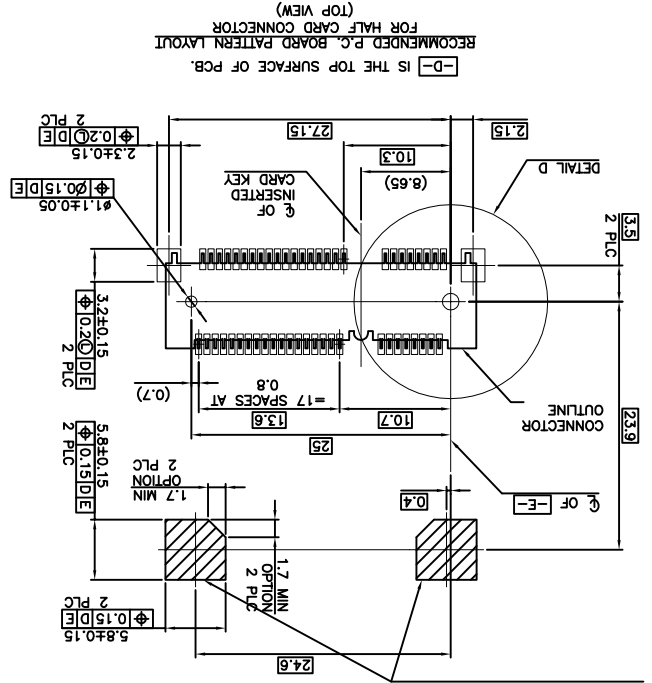
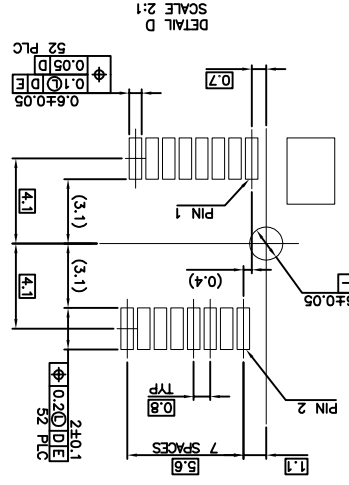
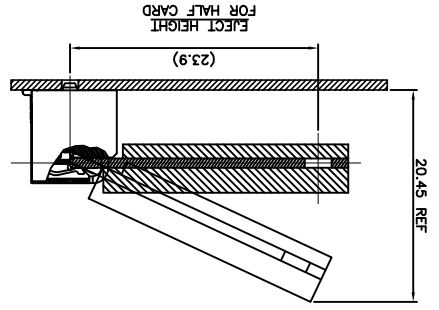
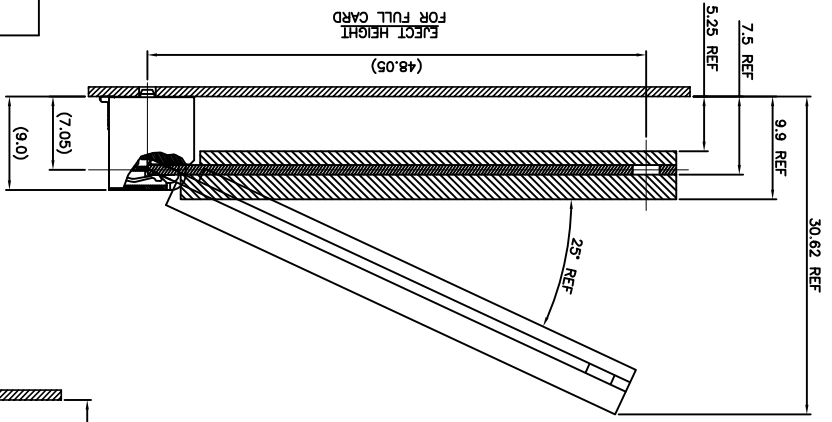
90: 9.0H HEIGHT  
 52 CONTACTS  
 PACKAGING OPTIONS  
 R: TAPE & REEL  
 HALOGEN OPTIONS  
 NONE: HALOGEN  
 HF: HALOGEN FREE  
 CONTACT AREA PLATING  
 0: 30u" GOLD  
 1: 10u" GOLD  
 2: GOLD FLASH

TOLERANCE		LINEAR		X.±0.40		X.±		APPD: Jason		MATL:		DWG NO. C-91304-90		PART NO. 91304-90-052RXXX	
ANGLES		X.±		X.±		X.±		CHKD: Schumi		FINISH:		UNITS		SCALE	
X.±		X.±		X.±		X.±		DRWN: Lei Songping		Q'TY:		MM		1:1	
X.±		X.±		X.±		X.±		DATE		NAME		ECN NO.		REV	
X.±		X.±		X.±		X.±		Apr,02,2019		Lei Songping		----		0	
X.±		X.±		X.±		X.±		Jun,06,2019		Lei Songping		----		1	

1 2 3 4 5 6 7 8

1 2 3 4 5 6 7 8

1	REV	ECN NO.	NAME	DATE	.XXX±	.XXX±	DRWN: Lei Songping	Q'TY:	7	8
2	0	----	Lei Songping	Apr.02,2019	.XX±	.XX±	CHKD: Schumi	FINISH:	6	8
3	1	----	Lei Songping	Jun,06,2019	.X±	.X±	APPD: Jason	MAT'L:	5	8
4					X.±	X.±			4	8
5					ANGLES	LINEAR			3	8
6	TOLERANCE									
7	TITLE: MINI PCI EXPRESS 9.0MM HEIGHT		PART NO. 91304-90-052RXXX							
8	DONGGUAN UMAXCONN ENTERPRISE LIMITED		UMax							



-D- IS THE TOP SURFACE OF PCB.  
RECOMMENDED P.C. BOARD PATTERN LAYOUT FOR FULL CARD CONNECTOR

-D- IS THE TOP SURFACE OF PCB.  
RECOMMENDED P.C. BOARD PATTERN LAYOUT FOR HALF CARD CONNECTOR

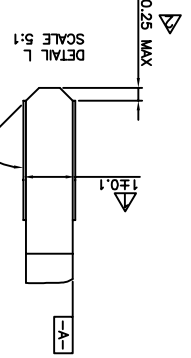
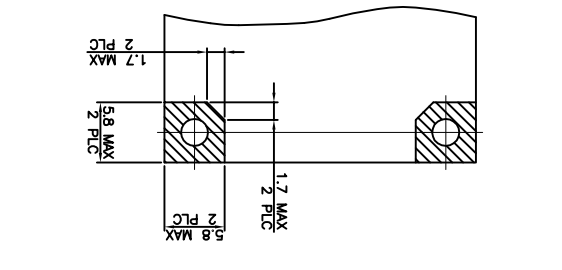
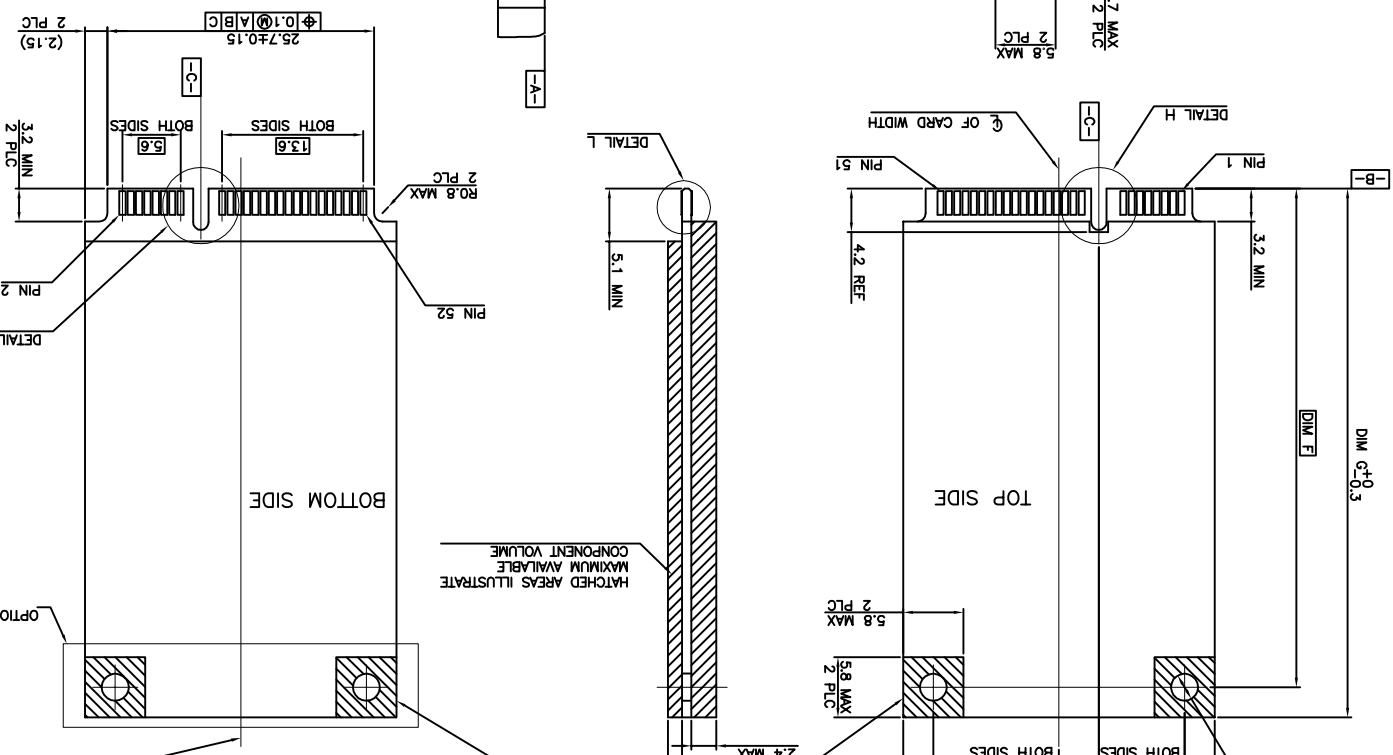
REV	ECON NO.	NAME	DATE	.XXX±	.XXX±	DRWN: Lei Songping	Q'TY:
0	----	Lei Songping	Apr.02,2019	.XX±	.XX±	CHKD: Schumi	FINISH:
1	----	Lei Songping	Jun.06,2019	.X±	.X±	APPD: Jason	MAT'L:
PART NO. 91304-90-052RXXX							
TITLE: MINI PCI EXPRESS 9.0MM HEIGHT				DONGGUAN UMAXCONN ENTERPRISE LIMITED			
Umax 东莞市外贸实业有限公司				ANGLES			
TOLERANCE				LINEAR			

1	2	3	4	5	6	7	8 CUSTOMER
---	---	---	---	---	---	---	------------

COMPONENT AND ROUTING (ALL LAYERS)  
KEEP OUT AREA FOR HOLD DOWN SOLUTIONS

DIM F	DIM G	FULL-MINI CARD	48.05	50.95
DIM F	DIM G	HALF-MINI CARD	23.9	26.8

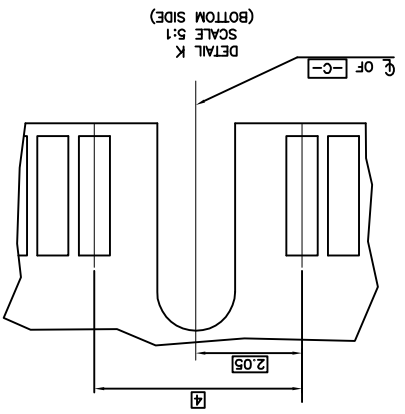
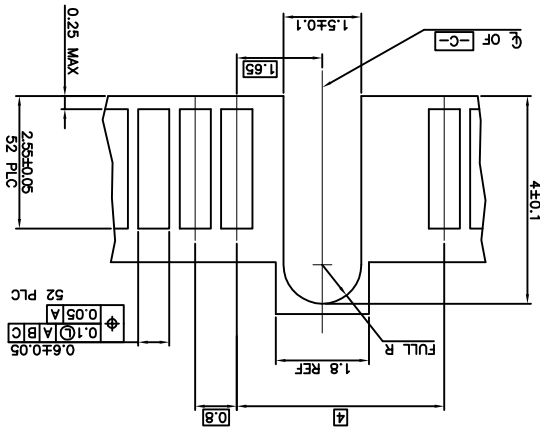
PIN NUMBERING REFERENCE:  
ODD PINS-TOP SIDE  
EVEN PINS-BOTTOM SIDE  
OF CARD WIDTH



FOR PCI EXPRESS MINI CARD

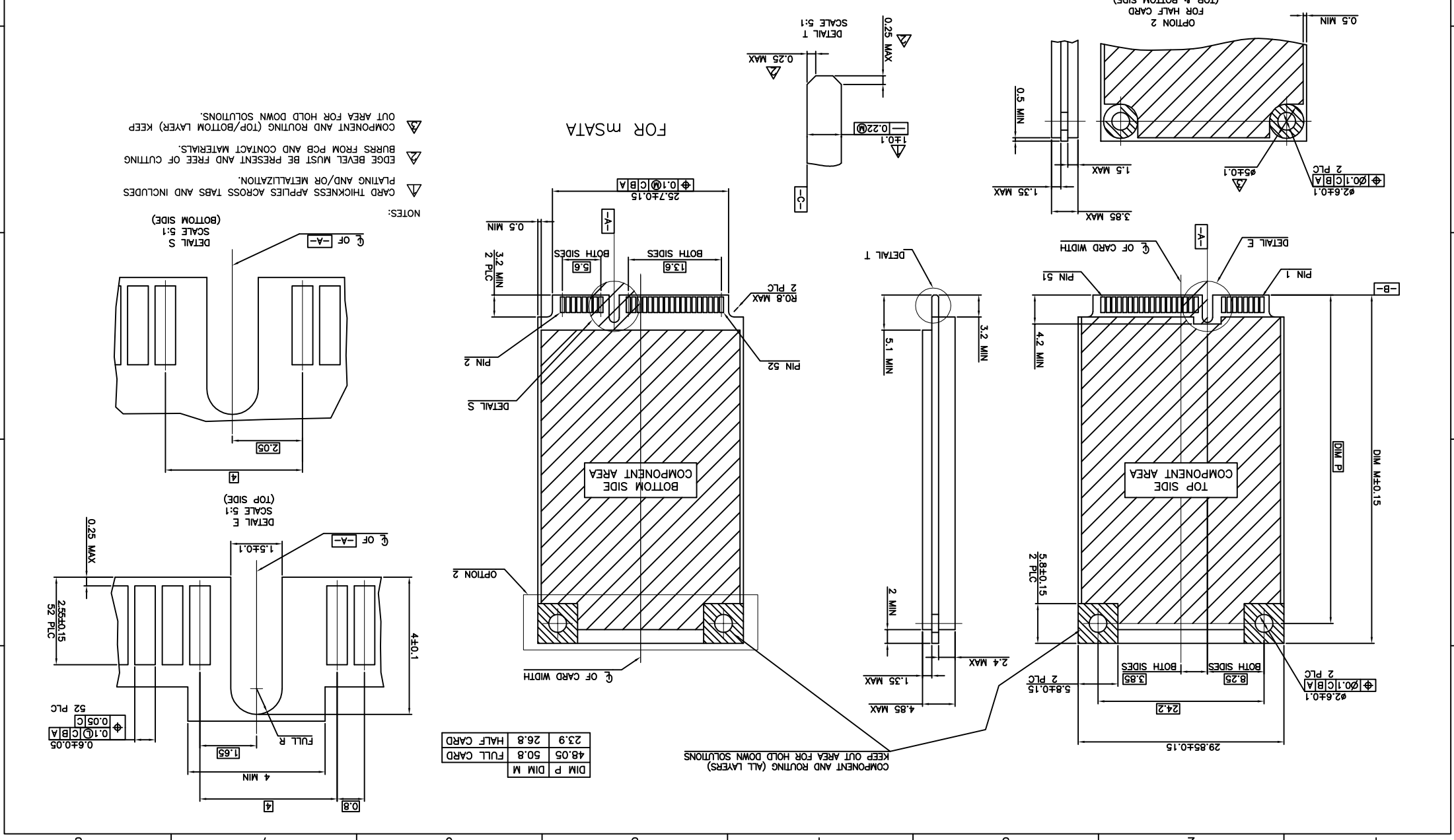
NOTES:

- ▽ CARD THICKNESS APPLIES ACROSS TABS AND INCLUDES PLATING AND/OR METALLIZATION.
- ▽ EDGE BEVEL MUST BE PRESENT AND FREE OF CUTTING BURRS FROM PCB AND CONTACT MATERIALS.



1	2	3	4	5	6	7	8
---	---	---	---	---	---	---	---

1	REV	ECON NO.	NAME	DATE	.XXX±	.XXX±	4	5	6	7	8
0	---	---	Lei Songping	Apr.02,2019	.XX±	.XX±	4	CHKD: Schumi	FINISH:	DRWN: Lei Songping	Q'TY:
1	---	---	Lei Songping	Jun,06,2019	.X±	.X±	4	APPD: Jason	MAT'L:	DWG NO. C-91304-90	5 OF 5
					X.±	X.±	4	PRT NO. 91304-90-052RXXX		1	
TITLE: MINI PCI EXPRESS 9.0MM HEIGHT			DONGGUAN UMAXCONN ENTERPRISE LIMITED		Umax		conn		CUSTOMER		
			TOLERANCE		LINEAR		ANGLES				



## X-ON Electronics

Largest Supplier of Electrical and Electronic Components

*Click to view similar products for [Standard Card Edge Connectors](#) category:*

*Click to view products by [UMAX](#) manufacturer:*

Other Similar products are found below :

[6565204-6](#) [PKC-156](#) [1437274-4](#) [147889-1](#) [1489165-4](#) [EBT156-12B1X](#) [EBT15622B2X](#) [EBT156-22R2W](#) [1-582587-1](#) [1-582589-1](#) [2-6437275-9](#) [284-0102-12100](#) [306022901000000](#) [307-012-502-202](#) [307-024-526-201](#) [307-056-520-300](#) [307-080-526-208](#) [1926088-2](#) [245-062-520-350](#) [287-0032-12101](#) [306-010-500-112](#) [306-028-525-102](#) [306-240-318](#) [307-036-502-202](#) [307-036-521-301](#) [307-072-526-202](#) [345-060-559-303](#) [368-004-520-201](#) [392-008-559-201](#) [534671-1](#) [5-530501-5](#) [341-240-317](#) [345-029-520-300](#) [345-030-500-301](#) [345-044-500-300](#) [345-220-058](#) [346-240-318](#) [357-030-526-201](#) [387-012-523-300](#) [395-044-520-300](#) [395-100-524-300](#) [50-12B-10](#) [50-6SN-5](#) [09-07-2032](#) [10035388-106LF](#) [10035388-802LF](#) [10115859-011LF](#) [10122859-009LF](#) [101269333204245CLF](#) [10127905-B04B24BLF](#)