

NOTES:
 1. MATERIAL: HOUSING: THERMOPLASTIC, HIGH TEMP, UL94V-0, BLACK COLOR,
 CONTACTS: COPPER ALLOY.
 PEGS: COPPER ALLOY.

2. FINISH:
 CONTACTS: SELECTED GOLD PLATING ON THE CONTACT AREA,
 1u" MIN. GOLD PLATING ON THE SOLDERTAILS,
 50 u" MIN. NICKEL UNDERPLATING OVER ALL.
 PEGS: 120u" MIN. MATTE-TIN OVER 50u" MIN. NICKEL.

3. PACKAGING SPECIFICATION: 9130404001

4. PRODUCT SPECIFICATION: PS-MINI PCI-E-01

5. DATE CODE: YYYWDD

YY: YEAR (19: 2019)
 WW: WEEK (25: THE 25TH WEEK)
 DD: (D1~D7: SUNDAY~SATURDAY)

PRODUCT NUMBER CODE

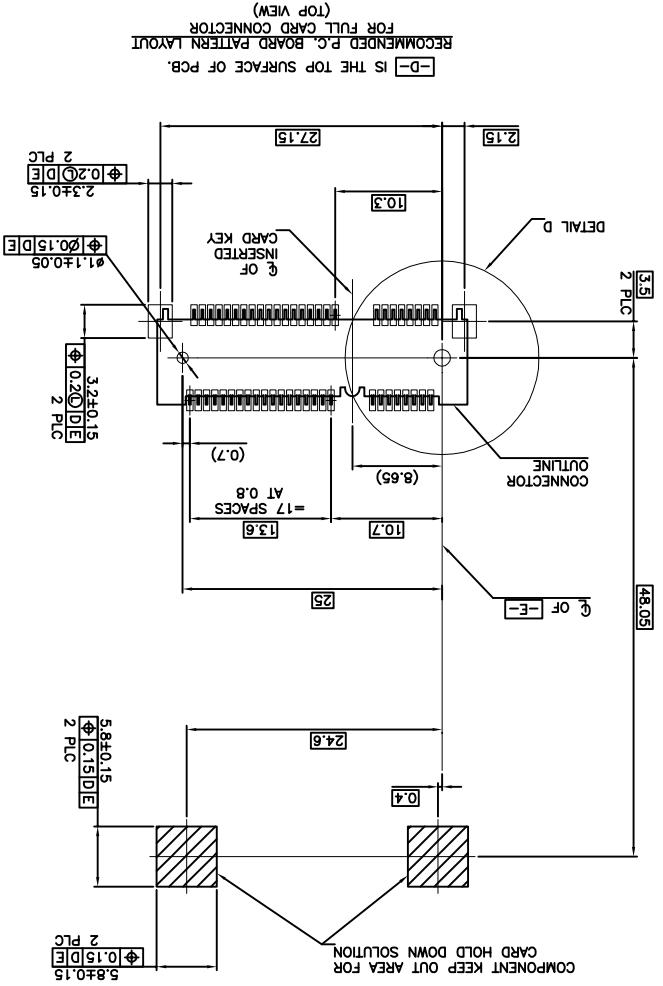
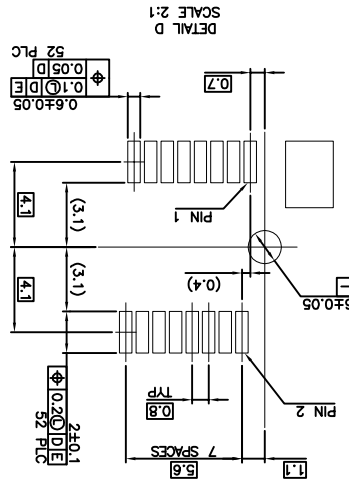
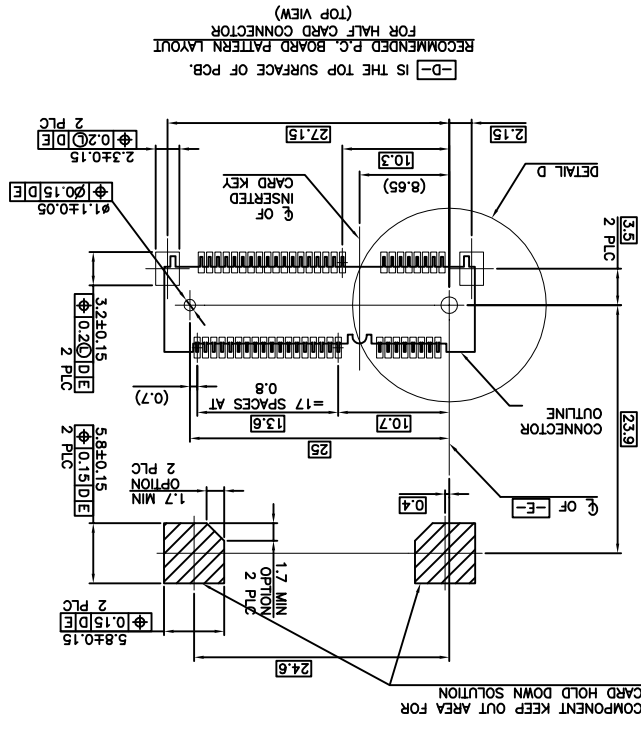
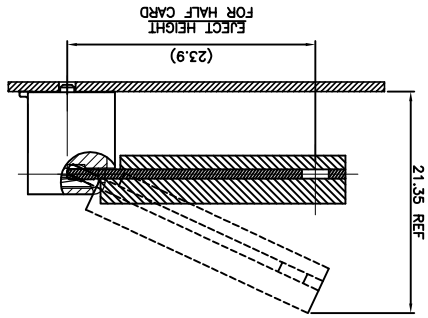
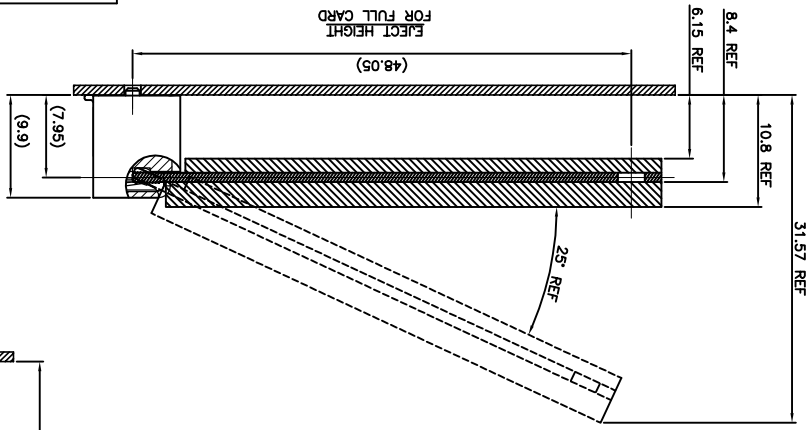
91304 - 99 - 052 R X XX

99: 9.9H HEIGHT
 52 CONTACTS
 R: TAPE & REEL
 PACKAGING OPTIONS
 CONTACT AREA PLATING
 HALOGEN OPTIONS
 NONE: HALOGEN
 HF: HALOGEN FREE
 0: 30u" GOLD
 1: 10u" GOLD
 2: GOLD FLASH

TOLERANCE		LINEAR		X.±0.40		X.±		UMax 东莞市外贸实业有限公司 DONGGUAN UMAXCONN ENTERPRISE LIMITED		PART NO. 91304-99-052RXXX		TITLE: MINI PCI EXPRESS 9.9MM HEIGHT	
ANGLES								APPD: Jason		MAT'L:		DWG NO. C-91304-99	
								CHKD: Schumi		FINISH:		REV	
								DRWN: Lei Songping		Q'TY:		REV	
												0	

1 2 3 4 5 6 7 8 CUSTOMER

1	REV	ECCN NO.	NAME	DATE	.XXX±	.XXX±	DRWN: Lei Songping	Q'TY:	7	8
0	0	----	Lei Songping	Jun,11,2019	.XX±	.XX±	CHKD: Schumi	FINISH:	6	8
					.X±	.X±	APPD: Jason	MAT'L:	5	8
					X.±	X.±	DONGGUAN UMAXCONN ENTERPRISE LIMITED		4	8
					TOLERANCE		UMax 东莞市外贸实业有限公司		3	8
					LINEAR		PART NO. 91304-99-052RXXX		2	8
					ANGLES		TITLE: MINI PCI EXPRESS 9.9MM HEIGHT		1	8



1	2	3	4	5	6	7	8
A	B	C	D	E			

X-ON Electronics

Largest Supplier of Electrical and Electronic Components

Click to view similar products for [Standard Card Edge Connectors](#) category:

Click to view products by [UMAX](#) manufacturer:

Other Similar products are found below :

[6565204-6](#) [PKC-156](#) [1437274-4](#) [147889-1](#) [1489165-4](#) [EBT156-12B1X](#) [EBT15622B2X](#) [EBT156-22R2W](#) [1-582587-1](#) [1-582589-1](#) [2-6437275-9](#) [284-0102-12100](#) [306022901000000](#) [307-012-502-202](#) [307-024-526-201](#) [307-056-520-300](#) [307-080-526-208](#) [1926088-2](#) [245-062-520-350](#) [287-0032-12101](#) [306-010-500-112](#) [306-028-525-102](#) [306-240-318](#) [307-036-502-202](#) [307-036-521-301](#) [307-072-526-202](#) [345-060-559-303](#) [368-004-520-201](#) [392-008-559-201](#) [534671-1](#) [5-530501-5](#) [341-240-317](#) [345-029-520-300](#) [345-030-500-301](#) [345-044-500-300](#) [345-220-058](#) [346-240-318](#) [357-030-526-201](#) [387-012-523-300](#) [395-044-520-300](#) [395-100-524-300](#) [50-12B-10](#) [50-6SN-5](#) [09-07-2032](#) [10035388-106LF](#) [10035388-802LF](#) [10115859-011LF](#) [10122859-009LF](#) [101269333204245CLF](#) [10127905-B04B24BLF](#)