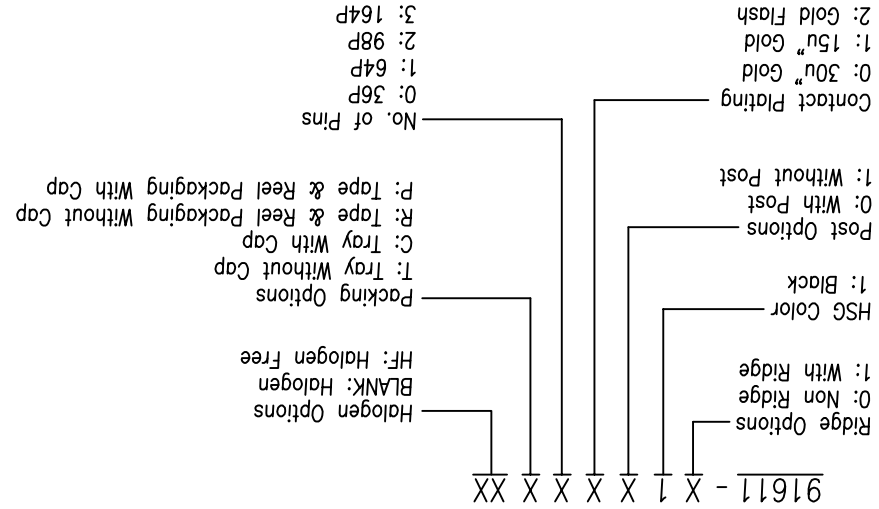


1	REV	ECCN NO.	NAME	DATE	4	5	6	7	8
2	0	---	Schumi!	Aug,02,2018	.XX±0.20	.XXX±	DRWN: Lei Songping		CUSTOMER
1	1	---	Lei Songping	Mar,18,2019	.X±0.30	.X±	APPD: Jason	DWG NO. C-91611	1 OF 2
1	2	---	Schumi!	Jun,14,2019	X.±0.40	X.±		PART NO. 91611-X1XXXXXX	2

TOLERANCE	
LINEAR	ANGLES

**Umax**  
DONGGUAN UMAXCONN ENTERPRISE LIMITED  
东莞市友贸实业有限公司

POSITION	A ±0.20	B $\pm \frac{0.20}{0.25}$	C ±0.25	D ±0.25	E ±0.25	F ±0.25
36	6	7.65	9.15	25	7.35	27
64	20	21.65	23.15	39	21.35	41
98	37	38.65	40.15	56	38.35	58
164	70	71.65	73.15	89	71.35	91



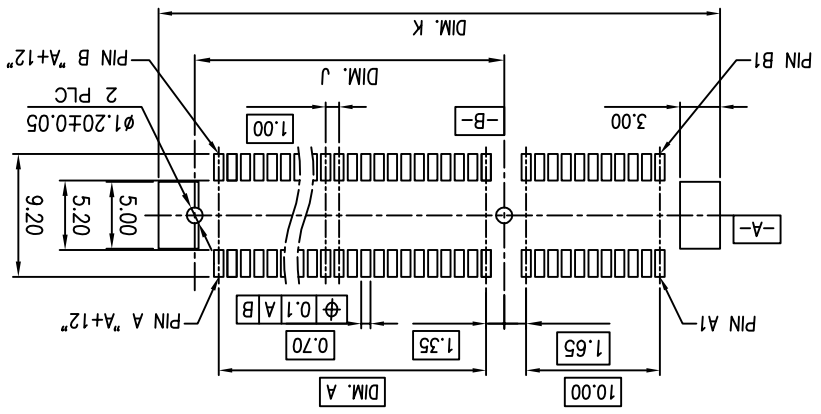
**NOTES:**  
 1. MATERIAL: 1.1 HOUSING: THERMOPLASTIC, HIGH TEMP, UL94V-0, COLOR: BLACK.  
 1.2 CONTACTS: COPPER ALLOY.  
 1.3 HOLDDOWN: COPPER ALLOY.  
 2. FINISH:  
 2.1 CONTACT: SELECTIVE GOLD PLATING ON CONTACT AREA.  
 100µ" MIN. MATTE-TIN PLATING ON SOLDERTAILS,  
 50µ" MIN. NICKEL UNDERPLATING OVERALL.  
 2.2 HOLDDOWN:  
 100µ" MIN. MATTE-TIN PLATING WITH 50µ" MIN. NICKEL UNDERPLATE OVERALL.

TITLE:		PCI EXPRESS 4.0		SMT TYPE	
PART NO.		91611-X1XXXXXX			
DWG NO.		C-91611			
FINISH:	Schumi!	Q'TY:			
UNIT:	MM	SCALE:	1:1	SHEET:	1 OF 2
REV	REV				

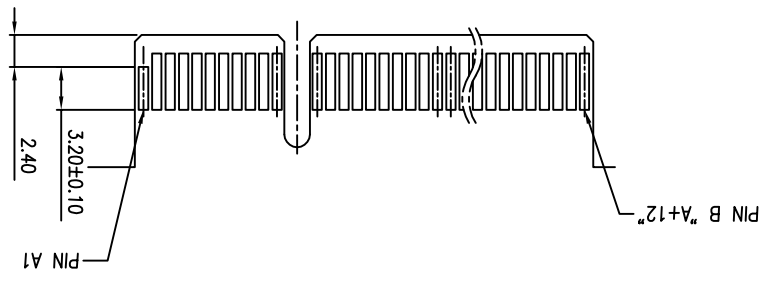
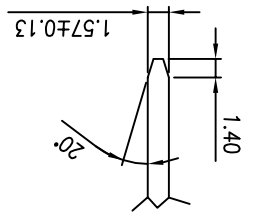
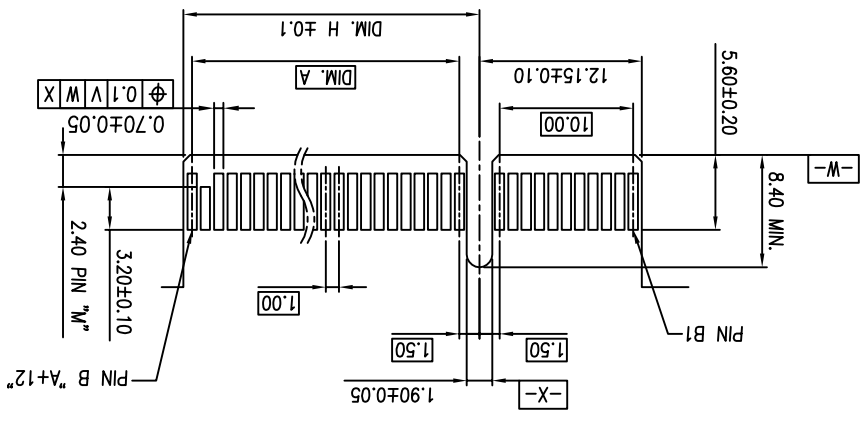
REV	ECCN NO.	NAME	DATE	.XXX±	.XXX±	DRWN: Lei Songping	Q'TY:	7			8	
See Sheet 1				.XX±	.XX±	CHKD: Schumi	FINISH:	UNITS			SHEET	
				.X±	.X±	APPD: Jason	MAT'L:	DWG NO.			REV	
				X±	X±	TOLERANCE		PART NO.			C-91611	
				LINEAR ANGLES		UMax conn		TITLE:			PCI EXPRESS 4.0	
				TOLERANCE		DONGGUAN UMAXCONN ENTERPRISE LIMITED		SMT TYPE			91611-X1XXXXXX	

POS.	DIM. A	DIM. H	DIM. J	DIM. K	DIM. M	DIM. N
164	70	72.15	73.15	92.0	81	81
98	37	39.15	40.15	59.0	48	48
64	20	22.15	23.15	42.0	31	31
36	6	8.15	9.15	28.0	17	17

RECOMMENDED PCB LAYOUT  
(COMPONENT SIDE)  
TOLERANCE: ±0.05



NOTES:  
CHAMFER EDGE MUST BE FREE OF CUTTING BURRS  
I/O PANEL DIRECTION  
PRIMARY (COMPONENT) SIDE  
SECONDARY (SOLDER) SIDE



## X-ON Electronics

Largest Supplier of Electrical and Electronic Components

*Click to view similar products for [umax](#) manufacturer:*

Other Similar products are found below :

[91611-11013T](#) [3091-10111T](#) [SM06097-SA29R-1LRT](#) [3126-10200T](#) [3157.0](#) [3126.0](#) [3091-10103T](#) [3091-10100T](#) [3160-10120T](#) [91611-11010T](#) [SR50BL05A](#) [CFH-L3C1LBL01MN0](#) [3091-10102T](#) [4-5099-7](#) [3183-10211P1T](#) [3113-112T](#) [SA08BL01D](#) [3113-113T](#) [91611-11011T](#) [3183-10113P1T](#) [SA06BL01D](#) [4-5099-2](#) [3126-10103T](#) [161C200](#) [SA10BL01D](#) [3157-10101D](#) [3126-10102D](#) [CHF-R3C1LBM15MN2](#) [3183-10203P1T](#) [3183-10112P1T](#) [3113-111T](#) [3183-10202P1T](#) [4-5099-8](#) [91304-90-052R2](#) [CFH-4420LBM30MNC](#) [91302-42-067R2B](#) [91302-85-067RDM](#) [91302-42-067RDM](#) [3157-10200D](#) [3183-10110P1T](#) [CFH-38690R](#) [3113-110T](#) [4-5099-0](#) [91304-68-052R2](#) [3157-10100D](#) [91304-40-052R2](#) [3183-10201P1T](#) [3126-10102T](#) [3183-10111P1T](#) [91304-80-052R2](#)