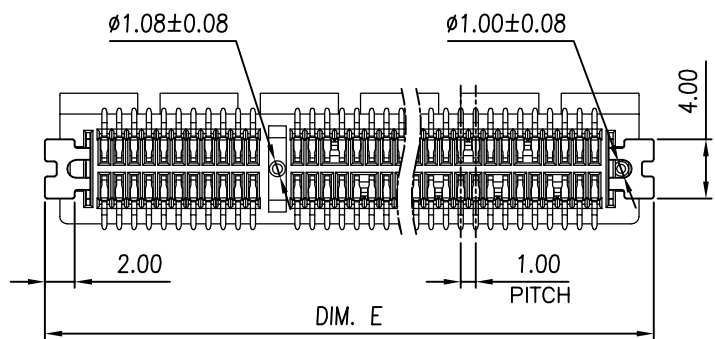


PROVISIONAL



DIMENSIONS					
POSITION	A $\pm 0.20$	B $\begin{smallmatrix} +0.20 \\ -0.08 \end{smallmatrix}$	C $\pm 0.25$	D $\pm 0.25$	E $\pm 0.3$
36	6	7.65	9.15	25	27
64	20	21.65	23.15	39	41
98	37	38.65	40.15	56	58
164	70	71.65	73.15	89	91

A7	-----	Lin xuejun	Oct,14,2022
A6	-----	Zhong Chunyu	Sep,01,2022
A5	-----	Lei Songping	Mar,08,2022
REV	ECN NO.	NAME	DATE

TOLERANCE	
LINEAR	ANGLES
X. $\pm 0.40$	X' $\pm$
.X $\pm 0.30$	.X' $\pm$
.XX $\pm 0.20$	.XX' $\pm$
.XXX $\pm 0.10$	.XXX' $\pm$

**UMax conn** 东莞市友贸实业有限公司  
DONGGUAN UMAX ENTERPRISE LIMITED

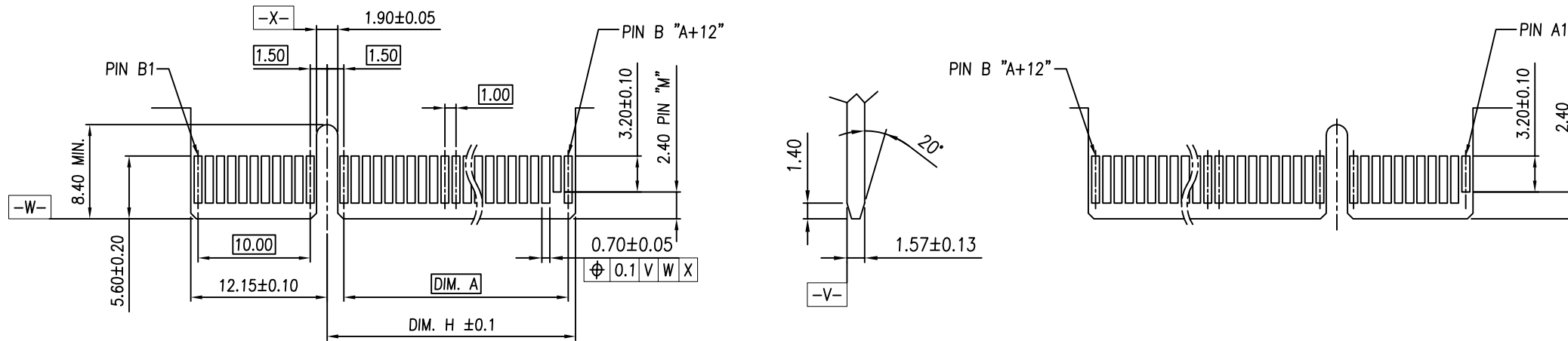
APPD: Jason MAT'L:  
CHKD: Schumi FINISH:  
DRWN: Lei Songping Q'TY:

TITLE: PCI EXPRESS 4.0 SMT TYPE

PART NO. 91611-110XXXXX

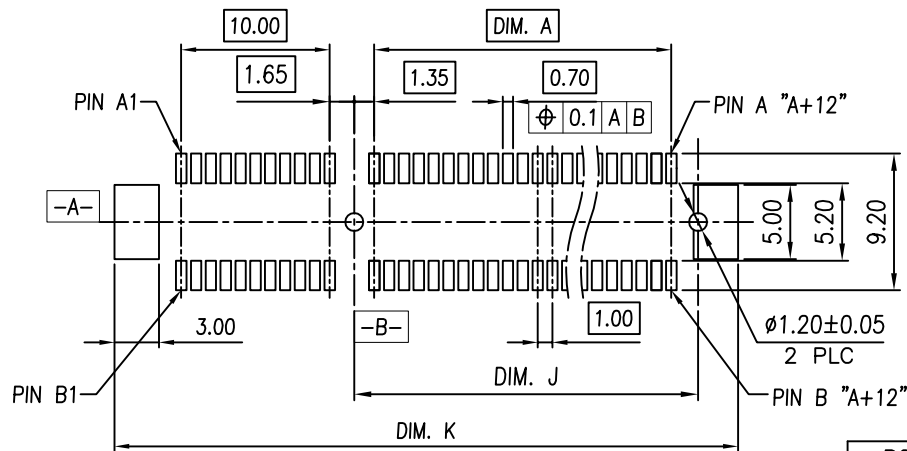
DWG NO. C-91611

	UNITS	SCALE	SHEET	REV
	MM	1 : 1	1 OF 3	A7



← I/O PANEL DIRECTION  
PRIMARY (COMPONENT) SIDE

NOTES:  
CHAMFER EDGE MUST BE FREE OF CUTTING BURRS SECONDARY (SOLDER) SIDE



RECOMMENDED PCB LAYOUT  
(COMPONENT SIDE)

TOLERANCE: ±0.05

PROVISIONAL

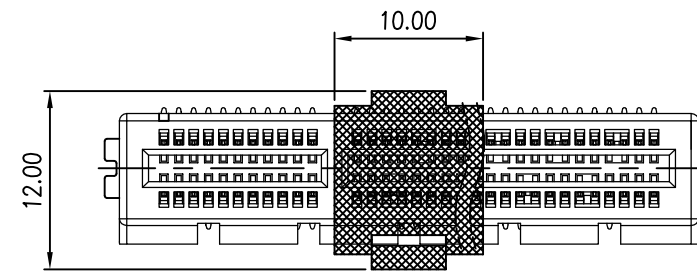
POS.	DIM. A	DIM. H	DIM. J	DIM. K	"M"
36	6	8.15	9.15	28.0	B17
64	20	22.15	23.15	42.0	B31
98	37	39.15	40.15	59.0	B48
164	70	72.15	73.15	92.0	B81

TOLERANCE		UMax conn 东莞市友贸实业有限公司 DONGGUAN UMAX ENTERPRISE LIMITED		TITLE: PCI EXPRESS 4.0 SMT TYPE	
LINEAR	ANGLES	APPD:	MAT'L:	PART NO. 91611-110XXXX	
X.±	X'.±	Jason		DWG NO. C-91611	
.X±	.X'±	CHKD: Schumi	FINISH:	UNITS SCALE SHEET REV	
.XX±	.XX'±	DRWN: Lei Songping	Q'TY:	MM	1 : 1 2 OF 3 A7
.XXX±	.XXX'±				

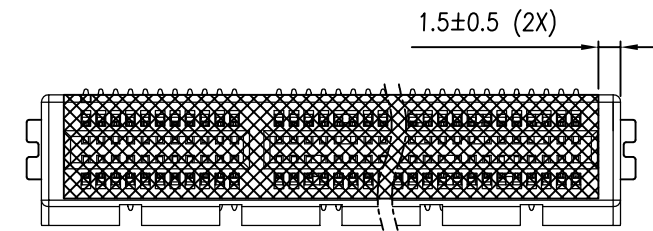
See Sheet 1			
REV	ECN NO.	NAME	DATE

NOTES:

1. MATERIAL:
  - 1.1 HOUSING: THERMOPLASTIC, HIGH TEMP, UL94V-0, COLOR: BLACK.
  - 1.2 CONTACTS: COPPER ALLOY.
  - 1.3 HOLDDOWN: COPPER ALLOY.
  - 1.4 CAP: THERMOPLASTIC, HIGH TEMP, UL94V-0, COLOR: BLACK.
2. FINISH:
  - 2.1 CONTACT:
    - SELECTIVE GOLD PLATING ON THE CONTACT AREA.
    - 100μ" MIN. MATTE-TIN PLATING ON THE SOLDER TAILS,
    - 50μ" MIN. NICKEL UNDERPLATING OVERALL.
  - 2.2 HOLDDOWN:
    - 100μ" MIN. MATTE-TIN PLATING WITH 50μ" MIN. NICKEL UNDERPLATE OVERALL.
4. PRODUCT SPEC: PS-GEN4-01
5. PACKAGING SPEC: 311304001 FOR TRAY, 311304002 FOR REEL, 311304003 FOR HARD TRAY



WITH CAP



WITH MYLAR

PART NO.

91611 - 1 1 0 X X X XX

Ridge Options  
1: With Ridge

HSG Color  
1: Black

Post Options  
0: With Post

Contact Plating  
0: 30u" Gold  
1: 15u" Gold  
2: Gold Flash

Halogen Options  
Blank: Halogen  
HF: Halogen Free

Packaging Options  
T: Tray Packaging  
C: Tray Packaging With Cap  
N: Tray Packaging With Mylar  
R: Tape & Reel Packaging  
P: Tape & Reel Packaging With Cap  
M: Tape & Reel Packaging With Mylar  
A: 72mm Width Tape & Reel Packaging With Cap  
Y: Hard Tray Packaging  
Z: Hard Tray Packaging With Mylar  
B: Hard Tray Packaging With Cap

No. of Pins  
0: 36P  
1: 64P  
2: 98P  
3: 164P

PROVISIONAL

TOLERANCE		UMax conn 东莞市友贸实业有限公司 DONGGUAN UMAX ENTERPRISE LIMITED	TITLE:	
LINEAR	ANGLES		PCI EXPRESS 4.0 SMT TYPE	
X.±	X'.±	APPD: Jason	MAT'L:	PART NO. 91611-110XXXXX
.X±	.X'±			DWG NO. C-91611
.XX±	.XX'±	CHKD: Schumi	FINISH:	UNITS: MM SCALE: 1 : 1 SHEET: 3 OF 3 REV: A7
.XXX±	.XXX'±	DRWN: Lei Songping	Q'TY:	

	See Sheet 1		
REV	ECN NO.	NAME	DATE

## X-ON Electronics

Largest Supplier of Electrical and Electronic Components

*Click to view similar products for [Standard Card Edge Connectors](#) category:*

*Click to view products by [UMAX](#) manufacturer:*

Other Similar products are found below :

[CR7E-30DB-3.96E\(72\)](#) [6565204-6](#) [1437274-4](#) [EBT15622B2X](#) [1-582587-1](#) [284-0102-12100](#) [286-0052-12101A](#) [306022901000000](#) [307-012-502-202](#) [307-056-520-300](#) [A6D22DS29C2](#) [1926088-2](#) [287-0032-12101](#) [345-060-559-303](#) [392-008-559-201](#) [534671-1](#) [341-240-317](#) [345-044-500-300](#) [346-240-318](#) [387-012-523-300](#) [395-100-524-300](#) [09-07-2032](#) [10035388-802LF](#) [10115859-011LF](#) [10122859-009LF](#) [101269333204245CLF](#) [530555-1](#) [66925-516LF](#) [5145409-2](#) [73726-0005](#) [66308-1](#) [5036A30](#) [PEC-07-02-T-S-A](#) [346-014-520-801](#) [KSLX-62-BR](#) [307-048-502-202](#) [CE100F26-7-C](#) [CE100F28-3-D](#) [CE100F28-4-D](#) [CE156F18-9-C](#) [CE156F22-5-D](#) [CE156F22-9-C](#) [CT100F22-2-D](#) [CT100F22-3-D](#) [CT100F24-2-D](#) [CT100F24-3-D](#) [CT100F24-6-C](#) [CT156F22-4-D](#) [MLSS100-12-C](#) [MLSS100-16-C](#)