

**NOTES:**

- MATERIAL:**
  - HOUSING: THERMOPLASTIC, HIGH TEMP, UL94 V-0, COLOR: BLACK.
  - CONTACTS: COPPER ALLOY.
  - DUMMY CARD: THERMOPLASTIC, HIGH TEMP, UL94 V-0, COLOR: BLACK.
- FINISH:**

**CONTACT:**  
SELECTIVE GOLD PLATING ON THE CONTACT AREA.  
100μ" MIN. MATTE-TIN PLATING ON THE SOLDERTAILS,  
50μ" MIN. NICKEL UNDERPLATING OVERALL.
- PRODUCT SPEC.:** PS-GEN4-01
- PACKAGING SPEC:** 312604001

**PART NO.**

91613 - 1 1 0 X X X D XX

- Ridge Options**
  - 1: With Ridge
- HSG Color**
  - 1: Black
- Ear Options**
  - 0: With Mount Ear
- Contact Plating**
  - 0: 30u" Gold
  - 1: 15u" Gold
  - 2: Gold Flash
- Halogen Options**
  - Blank: Halogen
  - HF: Halogen Free
- Packaging Options**
  - D: Tray + Dummy Card
- No. of Pins**
  - 0: 36P
  - 1: 64P
  - 2: 98P
  - 3: 164P
- PCB Thickness Options "DIM.K"**
  - 0: 2.08mm
  - 1: 2.30mm
  - 2: 1.80mm
  - 4: 1.57mm

PCB Thickness "DIM. K"	DIM.M	
0	2.08	2.55
1	2.30	2.55
2	1.80	2.55
4	1.57	1.70

POSITION	DIMENSIONS				
	A ±0.20	B <sup>+0.20</sup> / <sub>0.08</sub>	C ±0.20	D ±0.25	E ±0.35
36	6	7.65	12.3	25	34.8
64	20	21.65	26.3	39	48.8
98	37	38.65	43.3	56	65.8
164	70	71.65	76.3	89	98.8

				TOLERANCE	
REV	ECN NO.	NAME	DATE	.XXX±0.10	.XXX'±
A3	----	Lin xuejun	Oct,13,2022	LINEAR	ANGLES
A2	----	Lei Songping	Mar,08,2022	X.±0.40	X'.±
A1	----	Lei Songping	Dec,25,2020	.X±0.30	.X'±
A	20021	Lei Songping	Nov,11,2020	.XX±0.20	.XX'±

**UMax conn** 东莞市友贸实业有限公司  
DONGGUAN UMAXCONN ENTERPRISE LIMITED

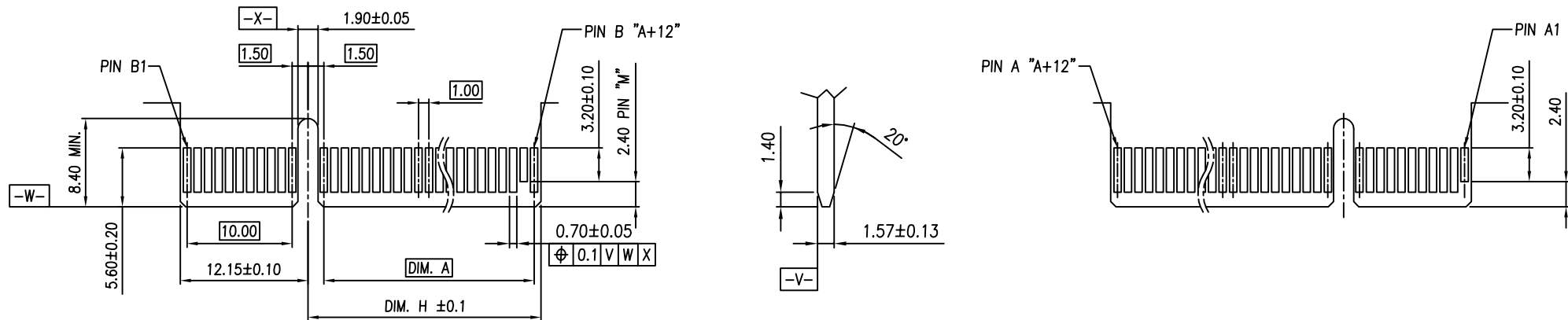
APPD: Jason    MAT'L:  
CHKD: Schumi    FINISH:  
DRWN: Lucy    Q'TY:

**TITLE:** PCI EXPRESS 4.0 STRADDLE MOUNT TYPE

**PART NO.** 91613-110X4DXX

**DWG NO.** C-91613

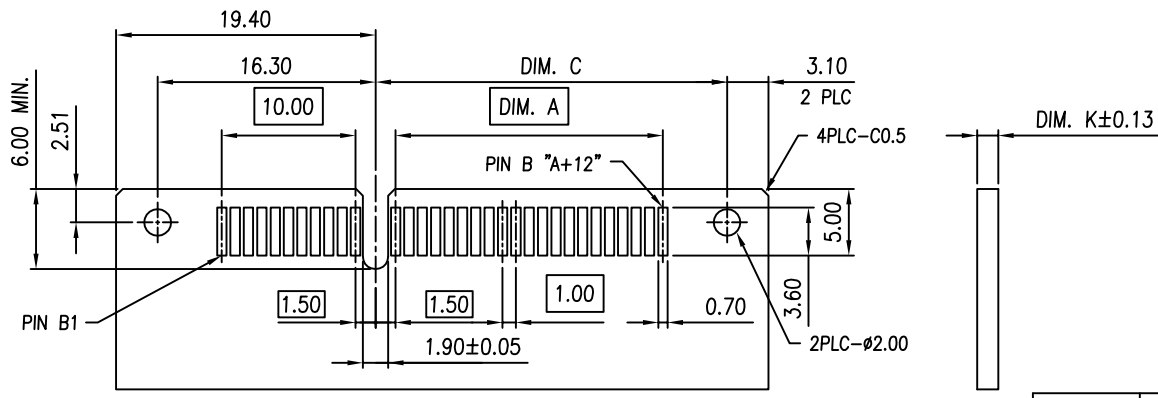
UNITS	MM	SCALE	1 : 1	SHEET	3 OF 3	REV	A3
	CUSTOMER						



← I/O PANEL DIRECTION  
PRIMARY (COMPONENT) SIDE

NOTES:  
CHAMFER EDGE MUST BE FREE OF CUTTING BURRS

SECONDARY (SOLDER) SIDE



RECOMMENDED PCB LAYOUT

TOLERANCE: ±0.05

POS.	DIM. A	DIM. C	DIM. H	"M"
36	6	12.3	8.15	B17
64	20	26.3	22.15	B31
98	37	43.3	39.15	B48
164	70	76.3	72.15	B81

TOLERANCE	
LINEAR	ANGLES
X.±0.40	X'±
.X±0.30	.X'±
.XX±0.20	.XX'±
.XXX±0.10	.XXX'±

**UMax conn** 东莞市友贸实业有限公司  
DONGGUAN UMAXCONN ENTERPRISE LIMITED

APPD: Jason MAT'L:  
CHKD: Schumi FINISH:  
DRWN: Lucy Q'TY:

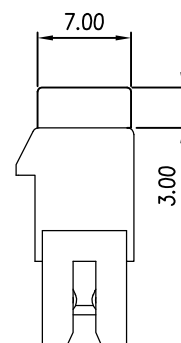
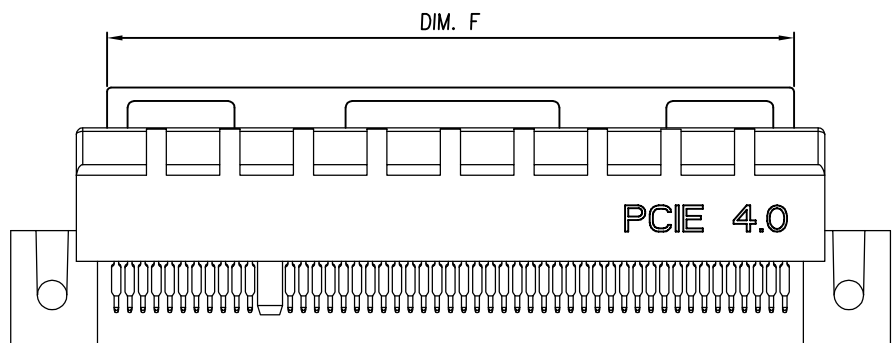
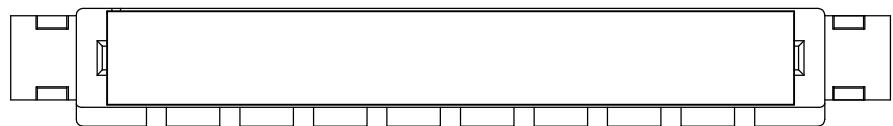
TITLE: PCI EXPRESS 4.0 STRADDLE MOUNT TYPE

PART NO. 91613-110X4XDXX

DWG NO. C-91613

UNITS	SCALE	SHEET	REV
MM	1 : 1	2 OF 3	A3

REV	ECN NO.	NAME	DATE
	See Sheet 1		



DIMENSIONS	
POSITION	DIM. F
36	20.4
64	34.4
98	51.4
164	84.4

REV	See Sheet 1	NAME	DATE
ECN NO.			

TOLERANCE	
LINEAR	ANGLES
X.±0.40	X'±
.X±0.30	.X'±
.XX±0.20	.XX'±
.XXX±0.10	.XXX'±

**UMax conn** 东莞市友贸实业有限公司  
DONGGUAN UMAXCONN ENTERPRISE LIMITED

APPD: Jason    MAT'L:  
CHKD: Schumi    FINISH:  
DRWN: Lucy    Q'TY:

TITLE: PCI EXPRESS 4.0 STRADDLE MOUNT TYPE

PART NO. 91613-110X4XDXX

DWG NO. C-91613

	UNITS	SCALE	SHEET	REV
	MM	1 : 1	3 OF 3	A3

## X-ON Electronics

Largest Supplier of Electrical and Electronic Components

*Click to view similar products for [Standard Card Edge Connectors](#) category:*

*Click to view products by [UMAX](#) manufacturer:*

Other Similar products are found below :

[CR7E-30DB-3.96E\(72\)](#) [6565204-6](#) [1437274-4](#) [EBT15622B2X](#) [1-582587-1](#) [284-0102-12100](#) [286-0052-12101A](#) [306022901000000](#) [307-012-502-202](#) [307-056-520-300](#) [A6D22DS29C2](#) [1926088-2](#) [287-0032-12101](#) [345-060-559-303](#) [392-008-559-201](#) [534671-1](#) [341-240-317](#) [345-044-500-300](#) [346-240-318](#) [387-012-523-300](#) [395-100-524-300](#) [09-07-2032](#) [10035388-802LF](#) [10115859-011LF](#) [10122859-009LF](#) [101269333204245CLF](#) [530555-1](#) [66925-516LF](#) [5145409-2](#) [73726-0005](#) [66308-1](#) [5036A30](#) [PEC-07-02-T-S-A](#) [346-014-520-801](#) [KSLX-62-BR](#) [307-048-502-202](#) [CE100F26-7-C](#) [CE100F28-3-D](#) [CE100F28-4-D](#) [CE156F18-9-C](#) [CE156F22-5-D](#) [CE156F22-9-C](#) [CT100F22-2-D](#) [CT100F22-3-D](#) [CT100F24-2-D](#) [CT100F24-3-D](#) [CT100F24-6-C](#) [CT156F22-4-D](#) [MLSS100-12-C](#) [MLSS100-16-C](#)