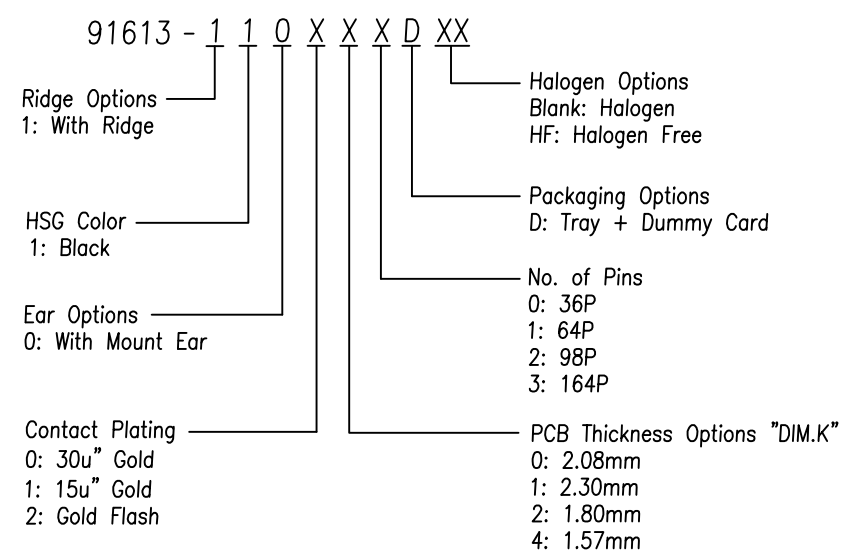


- NOTES:**
- MATERIAL:**
    - HOUSING: THERMOPLASTIC, HIGH TEMP, UL94 V-0, COLOR: BLACK.
    - CONTACTS: COPPER ALLOY.
    - DUMMY CARD: THERMOPLASTIC, HIGH TEMP, UL94 V-0, COLOR: BLACK.
  - FINISH:**

**CONTACT:**

SELECTIVE GOLD PLATING ON THE CONTACT AREA.  
 100μ" MIN. MATTE-TIN PLATING ON THE SOLDERTAILS,  
 50μ" MIN. NICKEL UNDERPLATING OVERALL.
  - PRODUCT SPEC.:** PS-GEN4-01
  - PACKAGING SPEC:** 312604001

**PART NO.**



PCB Thickness "DIM. K"	DIM.M	
0	2.08	2.55
1	2.30	2.55
2	1.80	2.55
4	1.57	1.70

POSITION	DIMENSIONS				
	A ±0.20	B ±0.20/0.08	C ±0.20	D ±0.25	E ±0.35
36	6	7.65	12.3	25	34.8
64	20	21.65	26.3	39	48.8
98	37	38.65	43.3	56	65.8
164	70	71.65	76.3	89	98.8

				TOLERANCE	
REV	ECN NO.	NAME	DATE	.XXX±0.10	.XXX'±
A3	----	Lin xuejun	Oct,13,2022	LINEAR	ANGLES
A2	----	Lei Songping	Mar,08,2022	X.±0.40	X'.±
A1	----	Lei Songping	Dec,25,2020	.X±0.30	.X'±
A	20021	Lei Songping	Nov,11,2020	.XX±0.20	.XX'±

**UMax conn** 东莞市友贸实业有限公司  
 DONGGUAN UMAXCONN ENTERPRISE LIMITED

APPD: Jason    MAT'L:

CHKD: Schumi    FINISH:

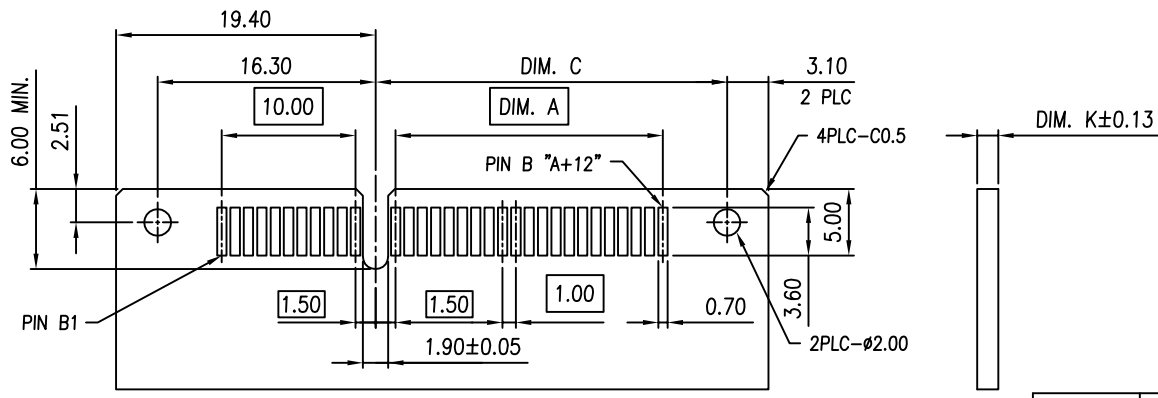
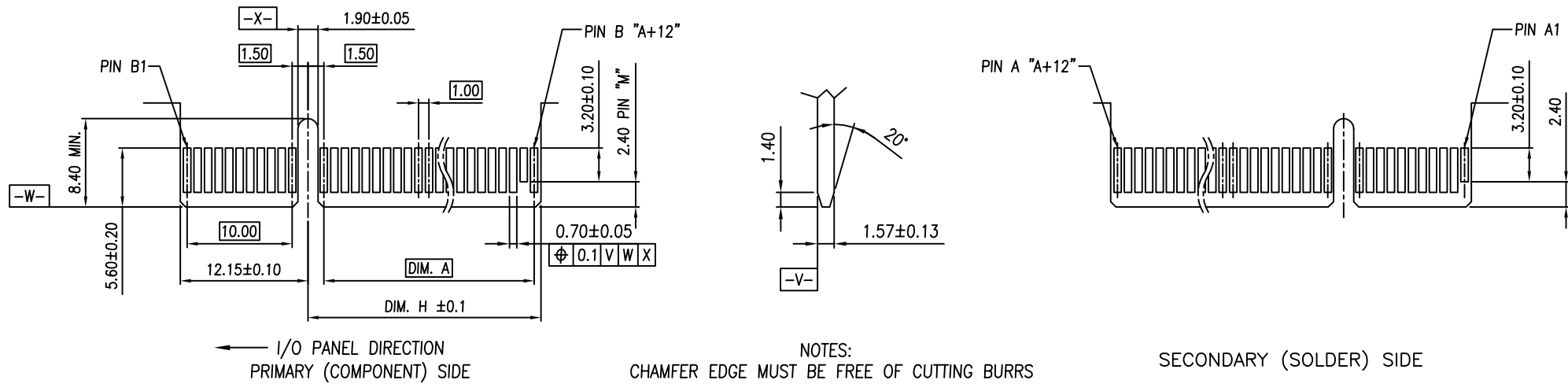
DRWN: Lucy    Q'TY:

**TITLE:** PCI EXPRESS 4.0 STRADDLE MOUNT TYPE

**PART NO.** 91613-110X4DXX

**DWG NO.** C-91613

UNITS	SCALE	SHEET	REV
MM	1 : 1	3 OF 3	A3



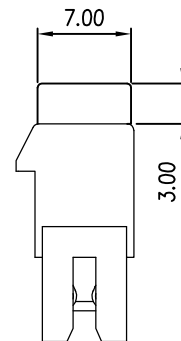
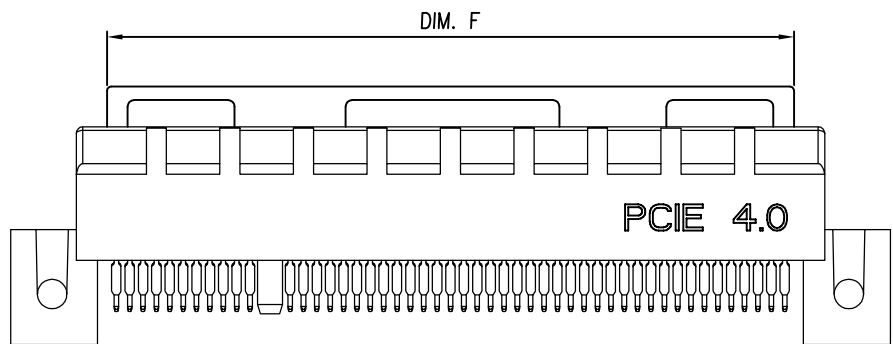
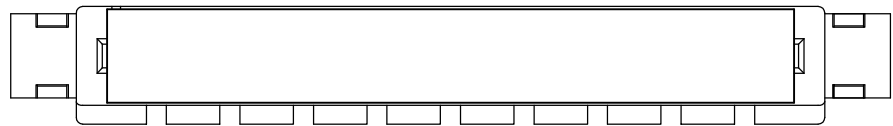
RECOMMENDED PCB LAYOUT

TOLERANCE: ±0.05

POS.	DIM. A	DIM. C	DIM. H	"M"
36	6	12.3	8.15	B17
64	20	26.3	22.15	B31
98	37	43.3	39.15	B48
164	70	76.3	72.15	B81

TOLERANCE		<b>UMax</b> <b>conn</b> 东莞市友贸实业有限公司 DONGGUAN UMAXCONN ENTERPRISE LIMITED	TITLE:									
LINEAR	ANGLES		PCI EXPRESS 4.0 STRADDLE MOUNT TYPE									
X.±0.40	X'±		PART NO. 91613-110X4XDXX									
.X±0.30	.X'±		DWG NO. C-91613									
.XX±0.20	.XX'±	APPD: Jason	MAT'L:	<table border="1"> <tr> <td>UNITS</td> <td>SCALE</td> <td>SHEET</td> <td>REV</td> </tr> <tr> <td>MM</td> <td>1 : 1</td> <td>2 OF 3</td> <td>A3</td> </tr> </table>	UNITS	SCALE	SHEET	REV	MM	1 : 1	2 OF 3	A3
UNITS	SCALE	SHEET	REV									
MM	1 : 1	2 OF 3	A3									
.XXX±0.10	.XXX'±	CHKD: Schumi	FINISH:									
		DRWN: Lucy	Q'TY:									

See Sheet 1			
REV	ECN NO.	NAME	DATE



DIMENSIONS	
POSITION	DIM. F
36	20.4
64	34.4
98	51.4
164	84.4

TOLERANCE	
LINEAR	ANGLES
X.±0.40	X'±
.X±0.30	.X'±
.XX±0.20	.XX'±
.XXX±0.10	.XXX'±

**UMax conn** 东莞市友贸实业有限公司  
DONGGUAN UMAXCONN ENTERPRISE LIMITED

TITLE:		PCI EXPRESS 4.0 STRADDLE MOUNT TYPE			
PART NO.		91613-110X4XDXX			
DWG NO.		C-91613			
	UNITS	SCALE	SHEET	REV	
	MM	1 : 1	3 OF 3	A3	

See Sheet 1			
REV	ECN NO.	NAME	DATE

APPD:	Jason	MAT'L:	
CHKD:	Schumi	FINISH:	
DRWN:	Lucy	Q'TY:	

## X-ON Electronics

Largest Supplier of Electrical and Electronic Components

*Click to view similar products for [Standard Card Edge Connectors](#) category:*

*Click to view products by [UMAX](#) manufacturer:*

Other Similar products are found below :

[CR7E-30DB-3.96E\(72\)](#) [6565204-6](#) [1437274-4](#) [1-582587-1](#) [284-0102-12100](#) [286-0052-12101A](#) [306022901000000](#) [A6D22DS29C2](#) [1926088-2](#) [245-062-520-350](#) [287-0032-12101](#) [306-028-525-102](#) [307-072-526-202](#) [330-030-500-278](#) [345-060-559-303](#) [534671-1](#) [341-240-317](#) [345-044-500-300](#) [346-240-318](#) [C7D10DS29C1M133](#) [395-100-524-300](#) [09-07-2032](#) [10035388-802LF](#) [10115859-011LF](#) [10122859-009LF](#) [101269333204245CLF](#) [530555-1](#) [66925-516LF](#) [5145409-2](#) [73726-0005](#) [66308-1](#) [EBC05DRXN](#) [KSLX-62-BR](#) [CE100F26-7-C](#) [CE100F28-3-D](#) [CE100F28-4-D](#) [CE156F22-9-C](#) [CT100F24-3-D](#) [CT100F24-6-C](#) [MLSS100-12-C](#) [SCC100F-11-C](#) [SCC100F-20-C](#) [SCC100F-24-C](#) [SCC100F-25-C](#) [3-530656](#) [2512250177](#) [285-0112-12300](#) [346-068-556-300](#) [284-0492-11000](#) [287-0032-12301](#)