

DIMENSIONS				
POSITION	A ±0.20	C ±0.25	D ±0.25	E ±0.3
36	6	9.15	25	27
64	20	23.15	39	41
98	37	40.15	56	58
164	70	73.15	89	91

REV	ECN NO.	NAME	DATE
2	-----	Lin xuejun	Oct,14,2022
1	-----	Zhong Chunyu	Sep,01,2022
0	-----	Lei Songping	Mar,25,2022

TOLERANCE	
LINEAR	ANGLES
X.±0.40	X'±
.X±0.30	.X'±
.XX±0.20	.XX'±
.XXX±0.10	.XXX'±

UMax conn 东莞市友贸实业有限公司
DONGGUAN UMAX ENTERPRISE LIMITED

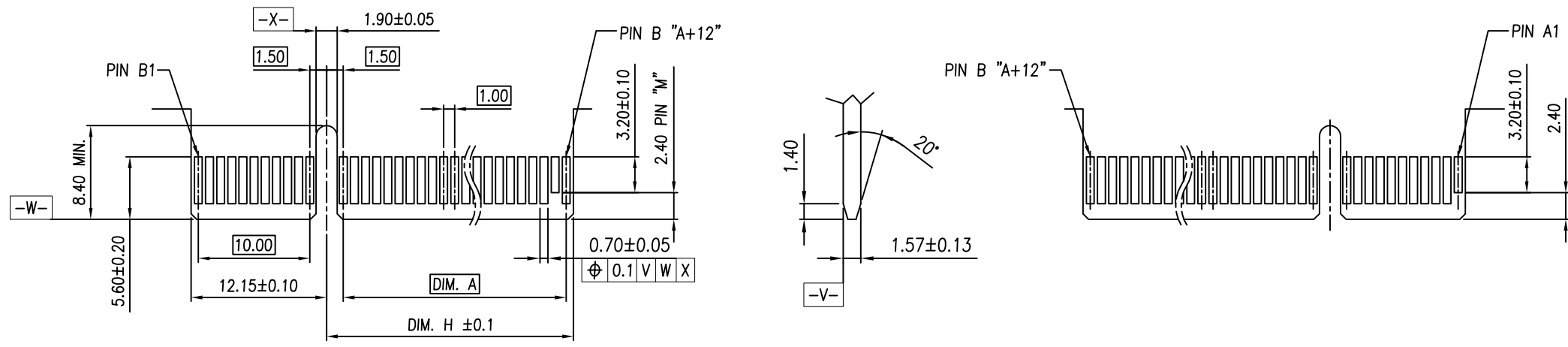
APPD: Jason MAT'L:
CHKD: Schumi FINISH:
DRWN: Lei Songping Q'TY:

TITLE: PCI EXPRESS 4.0 SMT TYPE

PART NO. 91618-110XXXXX

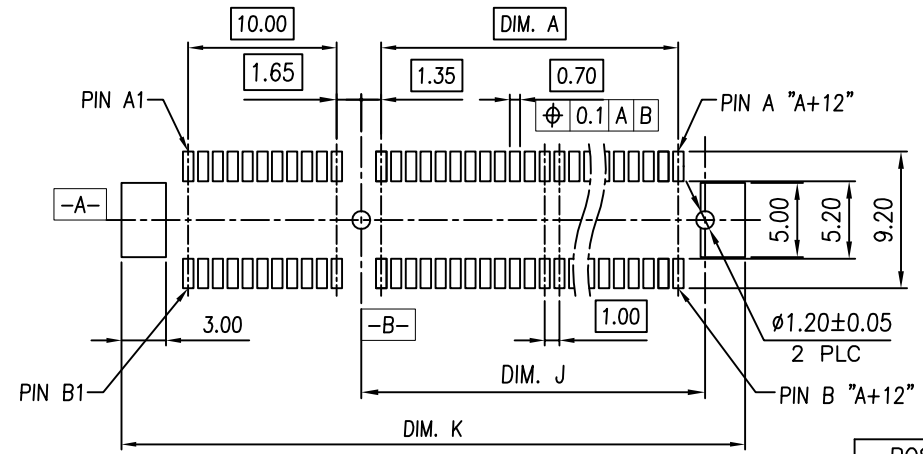
DWG NO. C-91618

UNITS	SCALE	SHEET	REV
MM	1 : 1	1 OF 3	2



← I/O PANEL DIRECTION
PRIMARY (COMPONENT) SIDE

NOTES:
CHAMFER EDGE MUST BE FREE OF CUTTING BURRS SECONDARY (SOLDER) SIDE



RECOMMENDED PCB LAYOUT
(COMPONENT SIDE)

TOLERANCE: ± 0.05

POS.	DIM. A	DIM. H	DIM. J	DIM. K	"M"
36	6	8.15	9.15	28.0	B17
64	20	22.15	23.15	42.0	B31
98	37	39.15	40.15	59.0	B48
164	70	72.15	73.15	92.0	B81

TOLERANCE		UMax conn 东莞市友贸实业有限公司 DONGGUAN UMAX ENTERPRISE LIMITED	TITLE:	
LINEAR	ANGLES		PCI EXPRESS 4.0 SMT TYPE	
X.±	X'.±	APPD: Jason	MAT'L:	PART NO. 91618-110XXXX
.X±	.X'±			DWG NO. C-91618
.XX±	.XX'±	CHKD: Schumi	FINISH:	UNITS MM SCALE 1 : 1 SHEET 2 OF 3 REV 2
.XXX±	.XXX'±	DRWN: Lei Songping	Q'TY:	

REV	See Sheet 1	NAME	DATE
ECN NO.			

NOTES:

1. MATERIAL:

- 1.1 HOUSING: THERMOPLASTIC, HIGH TEMP, UL94V-0, COLOR: BLACK.
- 1.2 CONTACTS: COPPER ALLOY.
- 1.3 HOLDDOWN: COPPER ALLOY.
- 1.4 CAP: THERMOPLASTIC, HIGH TEMP, UL94V-0, COLOR: BLACK.

2. FINISH:

2.1 CONTACT:

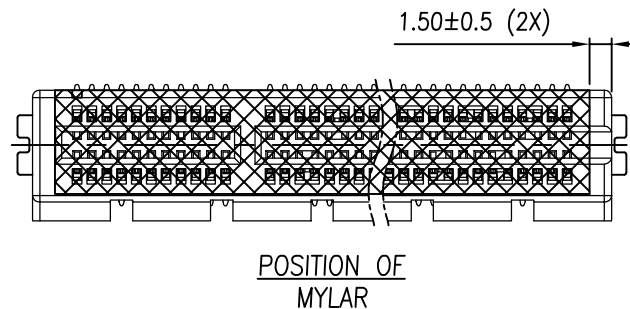
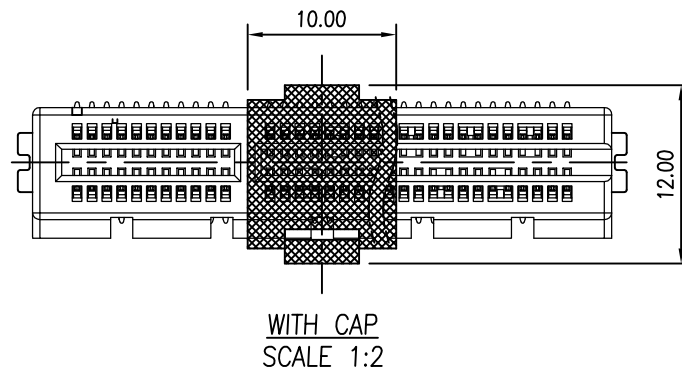
SELECTIVE GOLD PLATING ON THE CONTACT AREA.
 100μ" MIN. MATTE-TIN PLATING ON THE SOLDER TAILS,
 50μ" MIN. NICKEL UNDERPLATING OVERALL.

2.2 HOLDDOWN:

100μ" MIN. MATTE-TIN PLATING WITH 50μ" MIN. NICKEL UNDERPLATE OVERALL.

4. PRODUCT SPEC: PS-GEN4-01

5. PACKAGING SPEC: 311304001 FOR TRAY, 311304002 FOR REEL, 311304003 FOR HARD TRAY



PART NO.

91618 - 1 1 0 X X X XX

Ridge Options
 1: With Ridge

HSG Color
 1: Black

Post Options
 0: With Post

Contact Plating
 0: 30u" Gold
 1: 15u" Gold
 2: Gold Flash

Halogen Options
 Blank: Halogen
 HF: Halogen Free

Packaging Options
 T: Tray Packaging
 C: Tray Packaging With Cap
 N: Tray Packaging With Mylar
 R: Tape & Reel Packaging
 P: Tape & Reel Packaging With Cap
 M: Tape & Reel Packaging With Mylar
 Y: Hard Tray Packaging
 Z: Hard Tray Packaging With Mylar
 B: Hard Tray Packaging With Cap

No. of Pins
 0: 36P
 1: 64P
 2: 98P
 3: 164P

TOLERANCE	
LINEAR	ANGLES
X.±	X'.±
.X±	.X'±
.XX±	.XX'±
.XXX±	.XXX'±

UMax conn 东莞市友贸实业有限公司
 DONGGUAN UMAX ENTERPRISE LIMITED

APPD: Jason MAT'L:

CHKD: Schumi FINISH:

DRWN: Lei Songping Q'TY:

TITLE: PCI EXPRESS 4.0 SMT TYPE

PART NO. 91618-110XXXXX

DWG NO. C-91618

UNITS	SCALE	SHEET	REV
	MM	1 : 1	3 OF 3

See Sheet 1			
REV	ECN NO.	NAME	DATE

X-ON Electronics

Largest Supplier of Electrical and Electronic Components

Click to view similar products for [Standard Card Edge Connectors](#) category:

Click to view products by [UMAX](#) manufacturer:

Other Similar products are found below :

[CR7E-30DB-3.96E\(72\)](#) [6565204-6](#) [1437274-4](#) [EBT15622B2X](#) [EBT156-22R2W](#) [1-582587-1](#) [284-0102-12100](#) [286-0052-12101A](#)
[306022901000000](#) [307-056-520-300](#) [A6D22DS29C2](#) [1926088-2](#) [245-062-520-350](#) [287-0032-12101](#) [306-028-525-102](#) [307-072-526-202](#) [345-](#)
[060-559-303](#) [534671-1](#) [341-240-317](#) [345-044-500-300](#) [346-240-318](#) [395-100-524-300](#) [09-07-2032](#) [10035388-802LF](#) [10115859-011LF](#)
[10122859-009LF](#) [101269333204245CLF](#) [530555-1](#) [66925-516LF](#) [5145409-2](#) [73726-0005](#) [66308-1](#) [5036A30](#) [PEC-07-02-T-S-A](#) [KSLX-62-](#)
[BR](#) [CE100F26-7-C](#) [CE100F28-3-D](#) [CE100F28-4-D](#) [CE156F22-9-C](#) [CT100F24-3-D](#) [CT100F24-6-C](#) [MLSS100-12-C](#) [SCC100F-11-C](#)
[SCC100F-20-C](#) [SCC100F-24-C](#) [SCC100F-25-C](#) [3-530656](#) [285-0112-12300](#) [346-068-556-300](#) [284-0492-11000](#)