

| DIMENSIONS | | | | |
|------------|---------|---------|---------|--------|
| POSITION | A ±0.20 | C ±0.25 | D ±0.25 | E ±0.3 |
| 36 | 6 | 9.15 | 25 | 27 |
| 64 | 20 | 23.15 | 39 | 41 |
| 98 | 37 | 40.15 | 56 | 58 |
| 164 | 70 | 73.15 | 89 | 91 |

| REV | ECN NO. | NAME | DATE |
|-----|---------|--------------|-------------|
| 2 | ----- | Lin xuejun | Oct,14,2022 |
| 1 | ----- | Zhong Chunyu | Sep,01,2022 |
| 0 | ----- | Lei Songping | Mar,25,2022 |

| TOLERANCE | |
|-----------|--------|
| LINEAR | ANGLES |
| X.±0.40 | X'± |
| .X±0.30 | .X'± |
| .XX±0.20 | .XX'± |
| .XXX±0.10 | .XXX'± |

UMax conn 东莞市友贸实业有限公司
DONGGUAN UMAX ENTERPRISE LIMITED

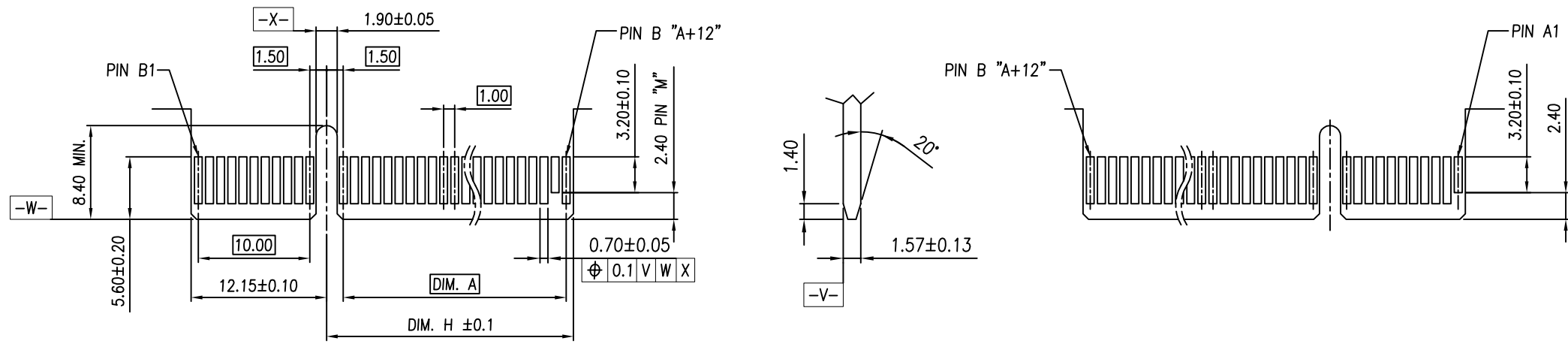
APPD: Jason MAT'L:
CHKD: Schumi FINISH:
DRWN: Lei Songping Q'TY:

TITLE: PCI EXPRESS 4.0
SMT TYPE

PART NO. 91618-110XXXX

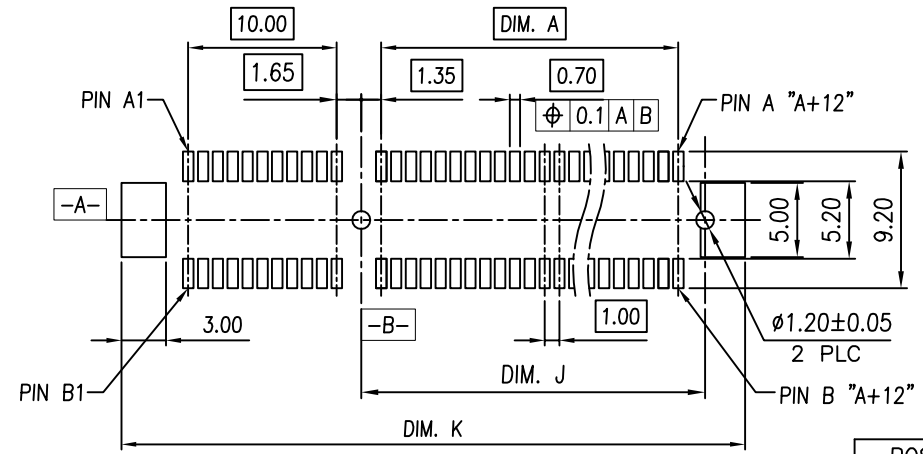
DWG NO. C-91618

| UNITS | SCALE | SHEET | REV |
|-------|-------|--------|-----|
| MM | 1 : 1 | 1 OF 3 | 2 |



← I/O PANEL DIRECTION
PRIMARY (COMPONENT) SIDE

NOTES:
CHAMFER EDGE MUST BE FREE OF CUTTING BURRS SECONDARY (SOLDER) SIDE



RECOMMENDED PCB LAYOUT
(COMPONENT SIDE)

TOLERANCE: ± 0.05

| POS. | DIM. A | DIM. H | DIM. J | DIM. K | "M" |
|------|--------|--------|--------|--------|-----|
| 36 | 6 | 8.15 | 9.15 | 28.0 | B17 |
| 64 | 20 | 22.15 | 23.15 | 42.0 | B31 |
| 98 | 37 | 39.15 | 40.15 | 59.0 | B48 |
| 164 | 70 | 72.15 | 73.15 | 92.0 | B81 |

| TOLERANCE | | UMax conn 东莞市友贸实业有限公司 DONGGUAN UMAX ENTERPRISE LIMITED | TITLE: PCI EXPRESS 4.0 SMT TYPE | |
|-----------|--------|--|---------------------------------|-----------------|
| LINEAR | ANGLES | | PART NO. | 91618-110XXXX |
| X.± | X'.± | APPD: Jason | MAT'L: | DWG NO. C-91618 |
| .X± | .X'± | CHKD: Schumi | FINISH: | |
| .XX± | .XX'± | DRWN: Lei Songping | Q'TY: | |
| .XXX± | .XXX'± | | | |

| | | | |
|-------------|---------|------|------|
| See Sheet 1 | | | |
| REV | ECN NO. | NAME | DATE |

| | | | |
|-------|-------|--------|-----|
| UNITS | SCALE | SHEET | REV |
| MM | 1 : 1 | 2 OF 3 | 2 |

NOTES:

1. MATERIAL:

- 1.1 HOUSING: THERMOPLASTIC, HIGH TEMP, UL94V-0, COLOR: BLACK.
- 1.2 CONTACTS: COPPER ALLOY.
- 1.3 HOLDDOWN: COPPER ALLOY.
- 1.4 CAP: THERMOPLASTIC, HIGH TEMP, UL94V-0, COLOR: BLACK.

2. FINISH:

2.1 CONTACT:

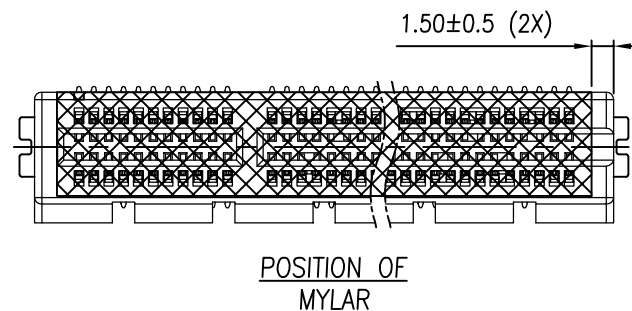
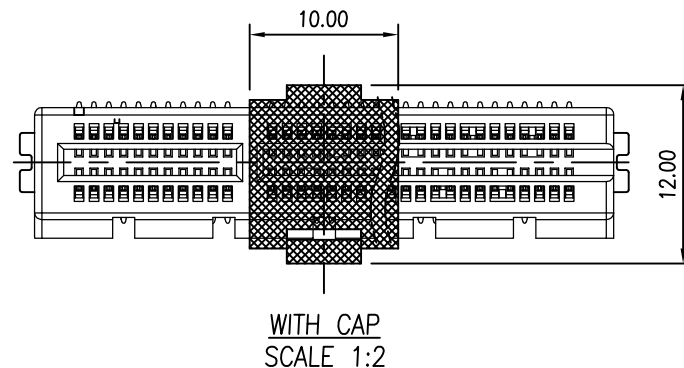
SELECTIVE GOLD PLATING ON THE CONTACT AREA.
 100μ" MIN. MATTE-TIN PLATING ON THE SOLDER TAILS,
 50μ" MIN. NICKEL UNDERPLATING OVERALL.

2.2 HOLDDOWN:

100μ" MIN. MATTE-TIN PLATING WITH 50μ" MIN. NICKEL UNDERPLATE OVERALL.

4. PRODUCT SPEC: PS-GEN4-01

5. PACKAGING SPEC: 311304001 FOR TRAY, 311304002 FOR REEL, 311304003 FOR HARD TRAY



PART NO.

91618 - 1 1 0 X X X XX

Ridge Options
 1: With Ridge

HSG Color
 1: Black

Post Options
 0: With Post

Contact Plating
 0: 30u" Gold
 1: 15u" Gold
 2: Gold Flash

Halogen Options
 Blank: Halogen
 HF: Halogen Free

Packaging Options
 T: Tray Packaging
 C: Tray Packaging With Cap
 N: Tray Packaging With Mylar
 R: Tape & Reel Packaging
 P: Tape & Reel Packaging With Cap
 M: Tape & Reel Packaging With Mylar
 Y: Hard Tray Packaging
 Z: Hard Tray Packaging With Mylar
 B: Hard Tray Packaging With Cap

No. of Pins
 0: 36P
 1: 64P
 2: 98P
 3: 164P

| TOLERANCE | |
|-----------|--------|
| LINEAR | ANGLES |
| X.± | X'.± |
| .X± | .X'± |
| .XX± | .XX'± |
| .XXX± | .XXX'± |

UMax conn 东莞市友贸实业有限公司
 DONGGUAN UMAX ENTERPRISE LIMITED

APPD: Jason MAT'L:

CHKD: Schumi FINISH:

DRWN: Lei Songping Q'TY:

| | | | |
|---------------------------------|-------|-------|-----|
| TITLE: PCI EXPRESS 4.0 SMT TYPE | | | |
| PART NO. 91618-110XXXXX | | | |
| DWG NO. C-91618 | | | |
| UNITS | SCALE | SHEET | REV |
| | | | |

| | | | |
|-------------|---------|------|------|
| See Sheet 1 | | | |
| REV | ECN NO. | NAME | DATE |

X-ON Electronics

Largest Supplier of Electrical and Electronic Components

Click to view similar products for [Standard Card Edge Connectors](#) category:

Click to view products by [UMAX](#) manufacturer:

Other Similar products are found below :

[CR7E-30DB-3.96E\(72\)](#) [6565204-6](#) [1437274-4](#) [1-582587-1](#) [284-0102-12100](#) [286-0052-12101A](#) [306022901000000](#) [A6D22DS29C2](#) [1926088-2](#) [245-062-520-350](#) [287-0032-12101](#) [306-028-525-102](#) [307-072-526-202](#) [330-030-500-278](#) [345-060-559-303](#) [534671-1](#) [341-240-317](#) [345-044-500-300](#) [346-240-318](#) [C7D10DS29C1M133](#) [395-100-524-300](#) [09-07-2032](#) [10035388-802LF](#) [10115859-011LF](#) [10122859-009LF](#) [101269333204245CLF](#) [530555-1](#) [66925-516LF](#) [5145409-2](#) [73726-0005](#) [66308-1](#) [EBC05DRXN](#) [KSLX-62-BR](#) [CE100F26-7-C](#) [CE100F28-3-D](#) [CE100F28-4-D](#) [CE156F22-9-C](#) [CT100F24-3-D](#) [CT100F24-6-C](#) [MLSS100-12-C](#) [SCC100F-11-C](#) [SCC100F-20-C](#) [SCC100F-24-C](#) [SCC100F-25-C](#) [3-530656](#) [2512250177](#) [285-0112-12300](#) [346-068-556-300](#) [284-0492-11000](#) [287-0032-12301](#)