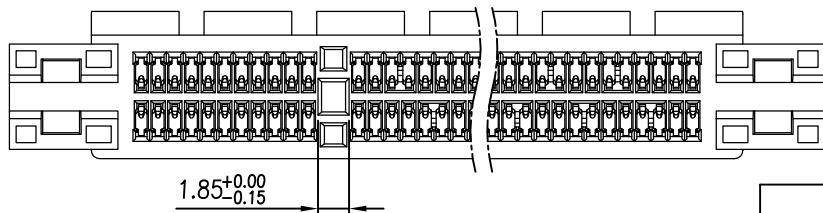
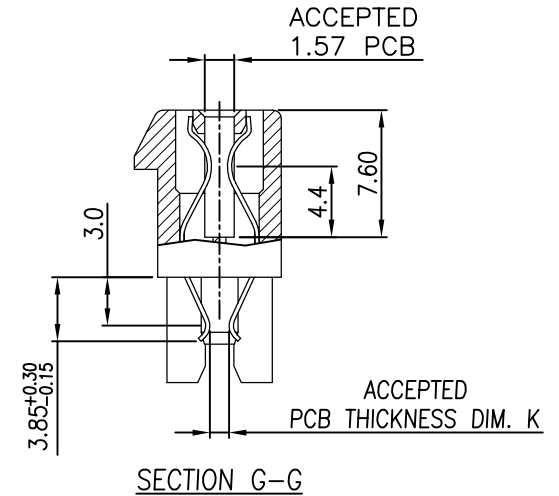
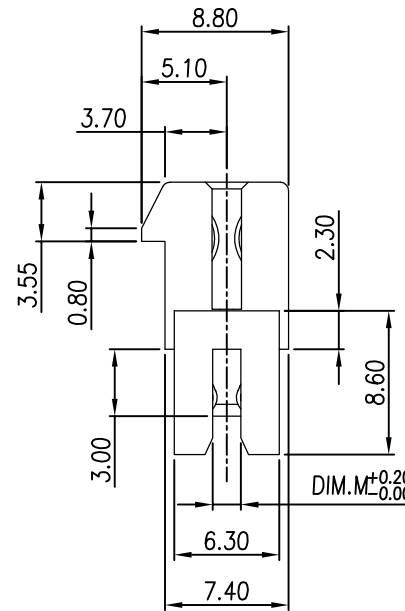
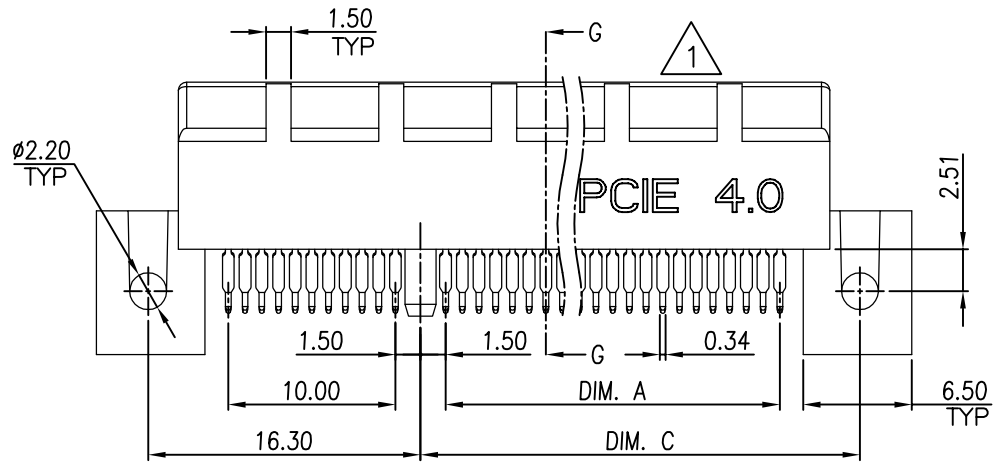


DIMENSIONS				
POSITION	A ±0.20	C ±0.25	D ±0.25	E ±0.35
36	6	12.3	25	34.8
64	20	26.3	39	48.8
98	37	43.3	56	65.8
164	70	76.3	89	98.8

PCB Thickness "DIM. K"	DIM.M	
0	2.08	2.55
1	2.30	2.55
2	1.80	2.55
4	1.57	1.70



TOLERANCE	
LINEAR	ANGLES
X.±0.40	X'±
.X±0.30	.X'±
.XX±0.20	.XX'±
.XXX±0.10	.XXX'±

**UMax conn** 东莞市友贸实业有限公司  
DONGGUAN UMAX ENTERPRISE LIMITED

APPD: Jason    MAT'L:  
CHKD: Schumi    FINISH:  
DRWN: Lei Songping    Q'TY:

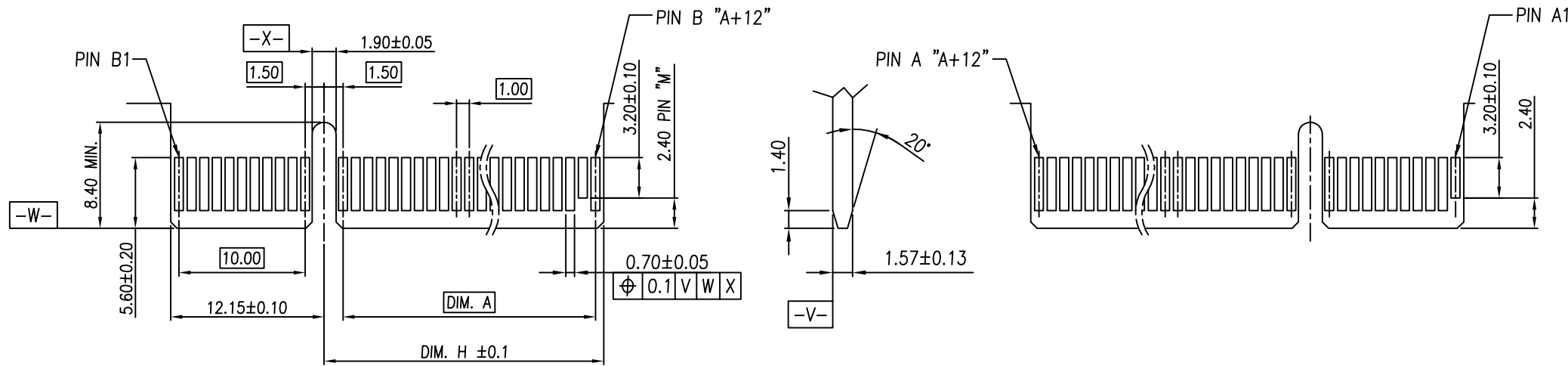
TITLE: PCI EXPRESS 4.0  
STRADDLE MOUNT OPEN-END TYPE

PART NO. 91619-110X4XDXX

DWG NO. C-91619

UNITS	SCALE	SHEET	REV
			1

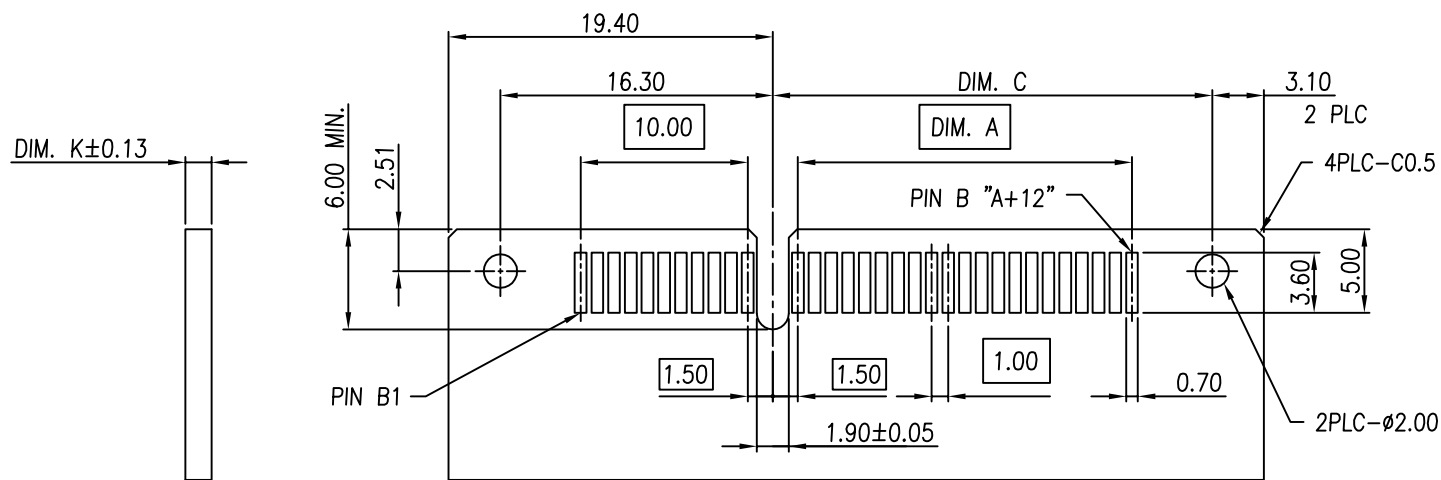
REV	ECN NO.	NAME	DATE
1	-----	Lin xuejun	Oct,13,2022
0	-----	Lei Songping	Jun,21,2022



← I/O PANEL DIRECTION  
PRIMARY (COMPONENT) SIDE

NOTES:  
CHAMFER EDGE MUST BE FREE OF CUTTING BURRS

SECONDARY (SOLDER) SIDE



RECOMMENDED PCB LAYOUT  
TOLERANCE: ±0.05

POS.	DIM. A	DIM. C	DIM. H	"M"
36	6	12.3	8.15	B17
64	20	26.3	22.15	B31
98	37	43.3	39.15	B48
164	70	76.3	72.15	B81

See Sheet 1			
REV	ECN NO.	NAME	DATE

TOLERANCE	
LINEAR	ANGLES
X.±	X'±
.X±	.X'±
.XX±	.XX'±
.XXX±	.XXX'±

<b>UMax conn</b> 东莞市友贸实业有限公司 DONGGUAN UMAX ENTERPRISE LIMITED	
APPD: Jason	MAT'L:
CHKD: Schumi	FINISH:
DRWN: Lei Songping	Q'TY:

TITLE: PCI EXPRESS 4.0 STRADDLE MOUNT OPEN-END TYPE			
PART NO. 91619-110X4XDXX		DWG NO. C-91619	
	UNITS	SCALE	SHEET
	MM	1 : 1	2 OF 3
		REV	1

NOTES:

1. MATERIAL:
  - 1.1 HOUSING: THERMOPLASTIC, HIGH TEMP, UL94 V-0, COLOR: BLACK.
  - 1.2 CONTACTS: COPPER ALLOY.
  - 1.3 DUMMY CARD: THERMOPLASTIC, HIGH TEMP, UL94 V-0, COLOR: BLACK.
2. FINISH:
 

CONTACT:  
SELECTIVE GOLD PLATING ON THE CONTACT AREA.

100 $\mu$ " MIN. MATTE-TIN PLATING ON THE SOLDERTAILS,  
50 $\mu$ " MIN. NICKEL UNDERPLATING OVERALL.
3. PRODUCT SPEC.: PS-GEN4-01
4. PACKAGING SPEC: 312604001

PART NO.

91619 - 1 1 0 X X X D XX

Ridge Options  
1: With Ridge

HSG Color  
1: Black

Ear Options  
0: With Mount Ear

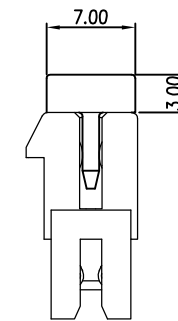
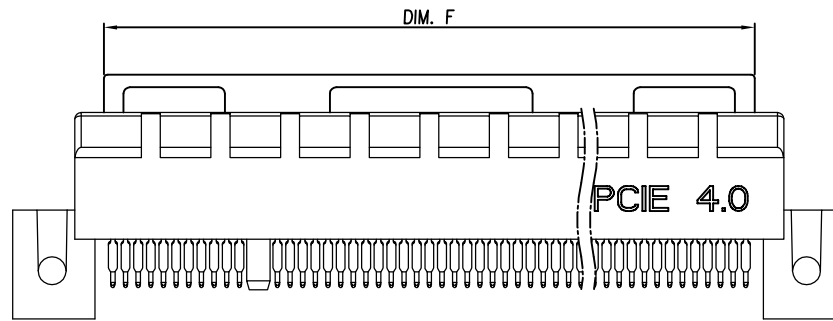
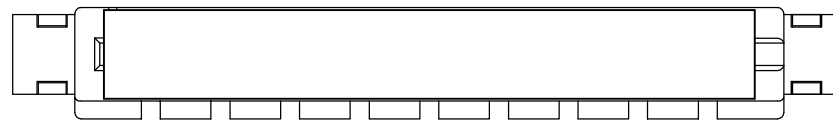
Contact Plating  
0: 30u" Gold  
1: 15u" Gold  
2: Gold Flash

Halogen Options  
Blank: Halogen  
HF: Halogen Free

Packaging Options  
D: Tray + Dummy Card

No. of Pins  
0: 36P  
1: 64P  
2: 98P  
3: 164P

PCB Thickness Options "DIM.K"  
0: 2.08mm  
1: 2.30mm  
2: 1.80mm  
4: 1.57mm



DIMENSIONS	
POSITION	DIM. F
36	20.4
64	34.4
98	51.4
164	84.4

TOLERANCE		UMax conn 东莞市友贸实业有限公司 DONGGUAN UMAX ENTERPRISE LIMITED	TITLE: PCI EXPRESS 4.0 STRADDLE MOUNT OPEN-END TYPE	
LINEAR	ANGLES		PART NO.	91619-110X4XDXX
X.±	X'.±	APPD: Jason	MAT'L:	DWG NO. C-91619
.X±	.X'±	CHKD: Schumi	FINISH:	UNITS: MM
.XX±	.XX'±	DRWN: Lei Songping	Q'TY:	SCALE: 1 : 1
.XXX±	.XXX'±			SHEET: 3 OF 3
				REV: 1

REV	See Sheet 1	NAME	DATE
	ECN NO.		

UNITS	SCALE	SHEET	REV
MM	1 : 1	3 OF 3	1

## X-ON Electronics

Largest Supplier of Electrical and Electronic Components

*Click to view similar products for [Standard Card Edge Connectors](#) category:*

*Click to view products by [UMAX](#) manufacturer:*

Other Similar products are found below :

[CR7E-30DB-3.96E\(72\)](#) [6565204-6](#) [1437274-4](#) [EBT15622B2X](#) [EBT156-22R2W](#) [1-582587-1](#) [284-0102-12100](#) [286-0052-12101A](#)  
[306022901000000](#) [307-056-520-300](#) [A6D22DS29C2](#) [1926088-2](#) [245-062-520-350](#) [287-0032-12101](#) [306-028-525-102](#) [307-072-526-202](#) [345-](#)  
[060-559-303](#) [534671-1](#) [341-240-317](#) [345-044-500-300](#) [346-240-318](#) [395-100-524-300](#) [09-07-2032](#) [10035388-802LF](#) [10115859-011LF](#)  
[10122859-009LF](#) [101269333204245CLF](#) [530555-1](#) [66925-516LF](#) [5145409-2](#) [73726-0005](#) [66308-1](#) [5036A30](#) [PEC-07-02-T-S-A](#) [KSLX-62-](#)  
[BR](#) [CE100F26-7-C](#) [CE100F28-3-D](#) [CE100F28-4-D](#) [CE156F22-9-C](#) [CT100F24-3-D](#) [CT100F24-6-C](#) [MLSS100-12-C](#) [SCC100F-11-C](#)  
[SCC100F-20-C](#) [SCC100F-24-C](#) [SCC100F-25-C](#) [3-530656](#) [285-0112-12300](#) [346-068-556-300](#) [284-0492-11000](#)