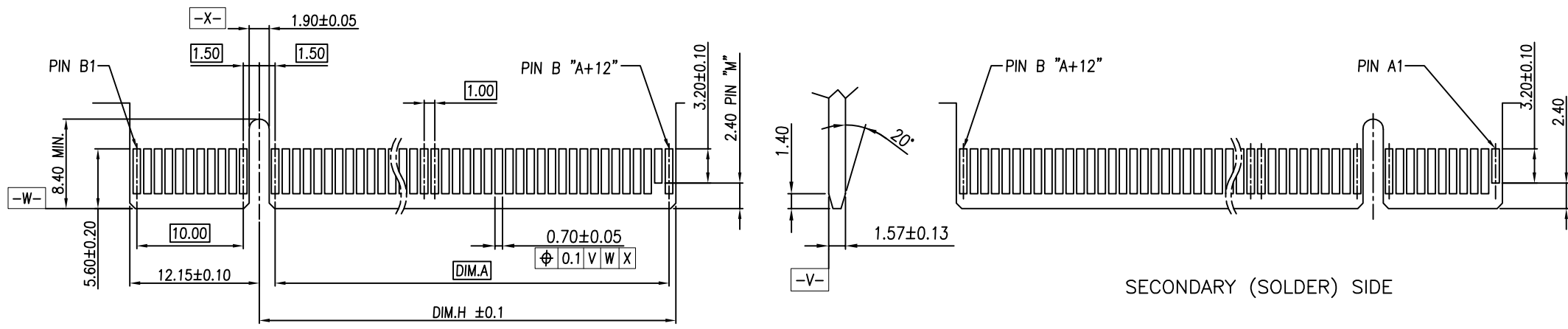


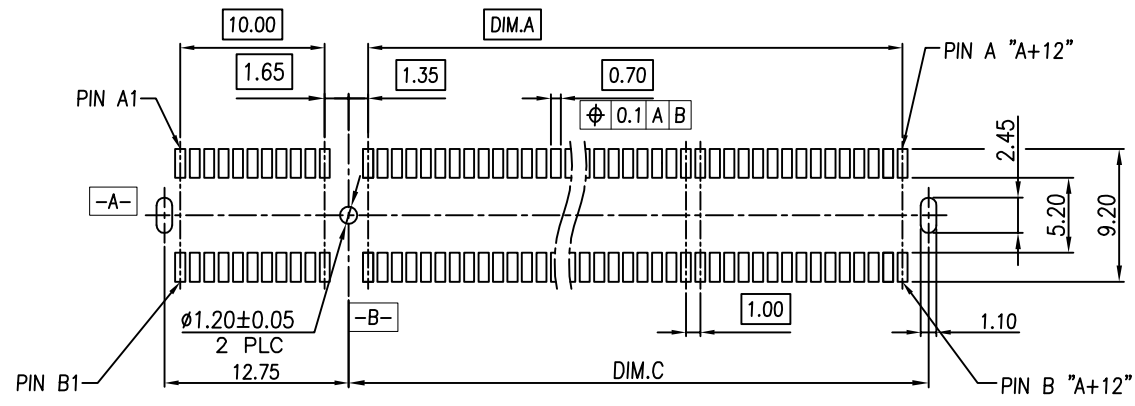
DIMENSIONS					
POSITION	A±0.20	B ± 0.20 0.08	C±0.25	D ±0.25	E ±0.55
36	6	7.65	9.15	25	50.7
64	20	21.65	23.15	39	64.7
98	37	38.65	40.15	56	81.7
164	70	71.65	73.15	89	114.7

				TOLERANCE		UMax conn 东莞市友贸实业有限公司 DONGGUAN UMAX ENTERPRISE LIMITED	TITLE: PCI EXPRESS Gen4 SMT WITH TAB & LATCH TYPE			
		LINEAR	ANGLES				PART NO.	91621-1X0XXNXX		
1	-----	Lin xuejun	Oct,13,2022	.X±0.40	.X'±	APPD: Jason	MAT'L:			DWG NO. C-91621
0	-----	Lei Songping	Jun,21,2022	.XX±0.20	.XX'±	CHKD: Schumi	FINISH:			UNITS: MM
REV	ECN NO.	NAME	DATE	.XXX±0.10	.XXX'±	DRWN: Lei Songping	Q'TY:			SCALE: 1 : 1
								SHEET: 1 OF 3		REV: 1



← I/O PANEL DIRECTION
PRIMARY (COMPONENT) SIDE

NOTES:
CHAMFER EDGE MUST BE FREE OF CUTTING BURRS



RECOMMENDED PCB LAYOUT
(COMPONENT SIDE)
TOLERANCE: ±0.05

POS.	DIM. A	DIM. C	DIM. H	"M"
36	6	9.15	8.15	B17
64	20	23.15	22.15	B31
98	37	40.15	39.15	B48
164	70	73.15	72.15	B81

REV	See Sheet 1	NAME	DATE
ECN NO.			

TOLERANCE	
LINEAR	ANGLES
X.±	X'±
.X±	.X'±
.XX±	.XX'±
.XXX±	.XXX'±

UMax conn 东莞市友贸实业有限公司
DONGGUAN UMAX ENTERPRISE LIMITED

APPD: Jason MAT'L:

CHKD: Schumi FINISH:

DRWN: Lei Songping Q'TY:

TITLE: PCI EXPRESS Gen4 SMT WITH TAB & LATCH TYPE			
PART NO. 91621-1X0XXXNXX		DWG NO. C-91621	
UNITS	SCALE	SHEET	REV
	MM	1 : 1	2 OF 3
			1

NOTES:

1. MATERIAL:
 - 1.1 HOUSING: THERMOPLASTIC, HIGH TEMP, UL94V-0, COLOR: BLACK.
 - 1.2 LATCH: THERMOPLASTIC, HIGH TEMP, UL94V-0, COLOR: SEE PART NO.
 - 1.3 CONTACTS: COPPER ALLOY.
 - 1.4 HOLDDOWN: COPPER ALLOY.
2. FINISH:
 - 2.1 CONTACT:
 - SELECTIVE GOLD PLATING ON THE CONTACT AREA.
 - 100u" MIN. MATTE-TIN PLATING ON THE SOLDERING AREA.
 - 50u" MIN. NICKEL UNDERPLATING OVERALL.
 - 2.2 HOLDDOWN:
 - 100u" MIN. MATTE-TIN PLATING ON THE SOLDERING AREA.
 - 50u" MIN. NICKEL UNDERPLATING OVERALL.
4. PRODUCT SPEC: PS-GEN4-01
5. PACKAGING SPEC: 311304001 FOR TRAY

PART NO.

91621 - 1 X 0 X X X N XX

Ridge Options
1: With Ridge

Housing Color Options
1: Black Hsg + Natural Latch
2: Black Hsg + Black Latch

Post Options
0: With Post

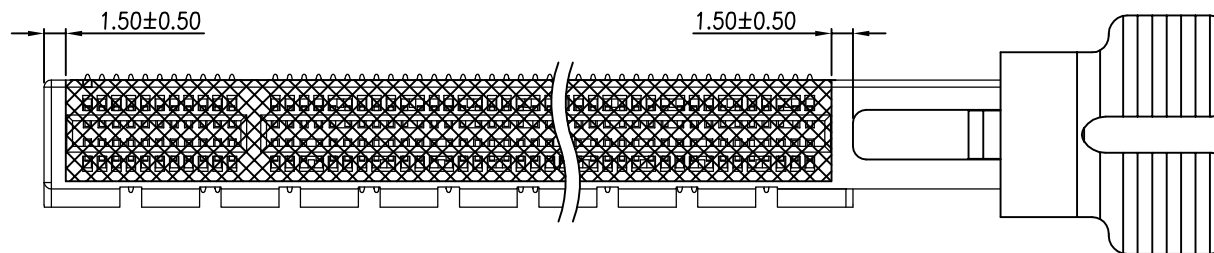
Contact Plating Options
0: 30u" Gold
1: 15u" Gold
2: Gold Flash

Halogen Options
Blank: Halogen
HF: Halogen Free

Packaging Options
N: Tray Packaging With Mylar

No. of Pins
0: 36P
1: 64P
2: 98P
3: 164P

Dim.L
0 - 3.05
1 - 2.20



TOLERANCE	
LINEAR	ANGLES
X.±	X'±
.X±	.X'±
.XX±	.XX'±
.XXX±	.XXX'±

UMax conn 东莞市友贸实业有限公司
DONGGUAN UMAX ENTERPRISE LIMITED

TITLE: PCI EXPRESS Gen4
SMT WITH TAB & LATCH TYPE

PART NO. 91621-1X0XXXNXX

DWG NO. C-91621

APPD: Jason MAT'L:
CHKD: Schumi FINISH:
DRWN: Lei Songping Q'TY:

	UNITS	SCALE	SHEET	REV
	MM	1 : 1	3 OF 3	1

	See Sheet 1		
REV	ECN NO.	NAME	DATE

X-ON Electronics

Largest Supplier of Electrical and Electronic Components

Click to view similar products for [Standard Card Edge Connectors](#) category:

Click to view products by [UMAX](#) manufacturer:

Other Similar products are found below :

[CR7E-30DB-3.96E\(72\)](#) [6565204-6](#) [1437274-4](#) [1-582587-1](#) [284-0102-12100](#) [286-0052-12101A](#) [306022901000000](#) [A6D22DS29C2](#) [1926088-2](#) [245-062-520-350](#) [287-0032-12101](#) [306-028-525-102](#) [307-072-526-202](#) [330-030-500-278](#) [345-060-559-303](#) [534671-1](#) [341-240-317](#) [345-044-500-300](#) [346-240-318](#) [C7D10DS29C1M133](#) [395-100-524-300](#) [09-07-2032](#) [10035388-802LF](#) [10115859-011LF](#) [10122859-009LF](#) [101269333204245CLF](#) [530555-1](#) [66925-516LF](#) [5145409-2](#) [73726-0005](#) [66308-1](#) [EBC05DRXN](#) [KSLX-62-BR](#) [CE100F26-7-C](#) [CE100F28-3-D](#) [CE100F28-4-D](#) [CE156F22-9-C](#) [CT100F24-3-D](#) [CT100F24-6-C](#) [MLSS100-12-C](#) [SCC100F-11-C](#) [SCC100F-20-C](#) [SCC100F-24-C](#) [SCC100F-25-C](#) [3-530656](#) [2512250177](#) [285-0112-12300](#) [346-068-556-300](#) [284-0492-11000](#) [287-0032-12301](#)