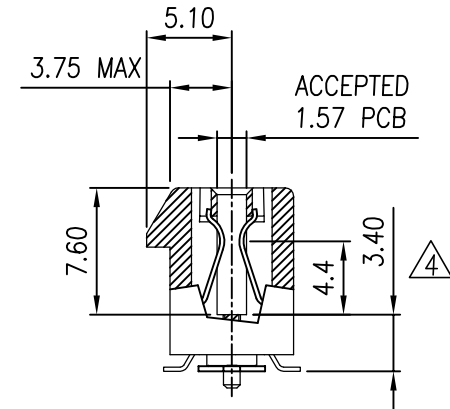
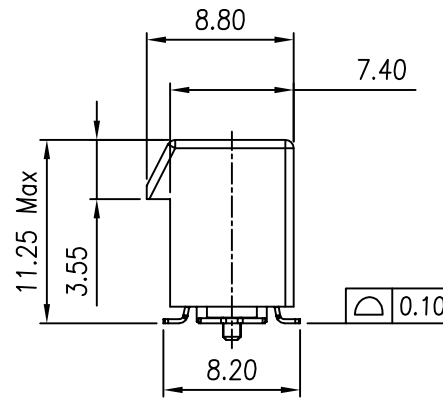
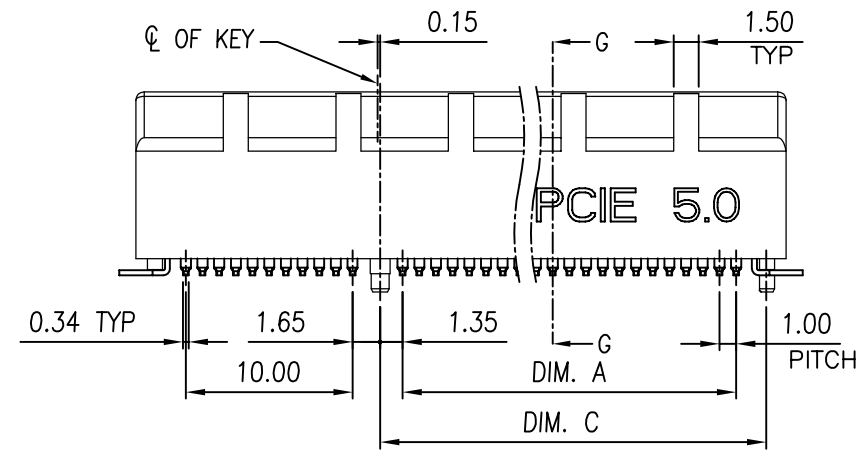
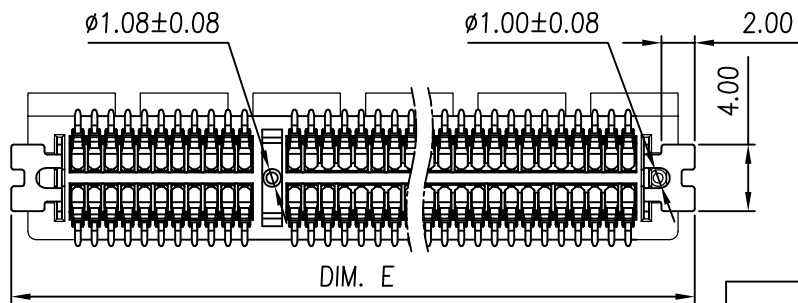


DIMENSIONS					
POSITION	A ±0.20	B ^{+0.20} _{-0.08}	C ±0.25	D ±0.25	E ±0.30
36	6.00	7.65	9.15	25	27
64	20.00	21.65	23.15	39	41
98	37.00	38.65	40.15	56	58
164	70.00	71.65	73.15	89	91



SECTION G-G

PROVISIONAL

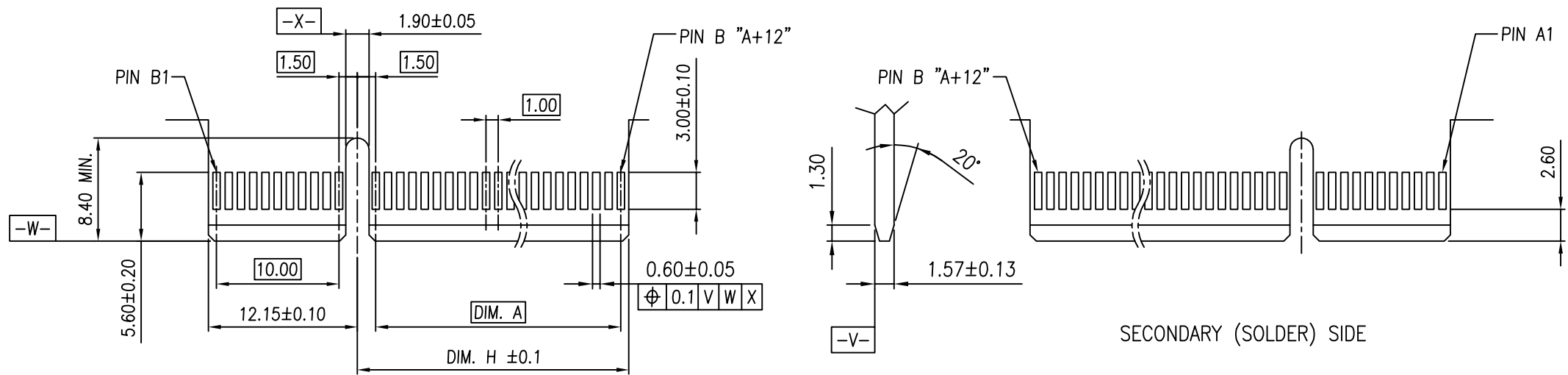


TOLERANCE	
LINEAR	ANGLES
X.±0.40	X'±
.X±0.30	.X'±
.XX±0.20	.XX'±
.XXX±0.10	.XXX'±

UMax conn	东莞市友贸实业有限公司 DONGGUAN UMAX ENTERPRISE LIMITED	
	APPD: Jason	MAT'L:
DRWN: Lei Songping	CHKD: Schumi	FINISH: Q'TY:

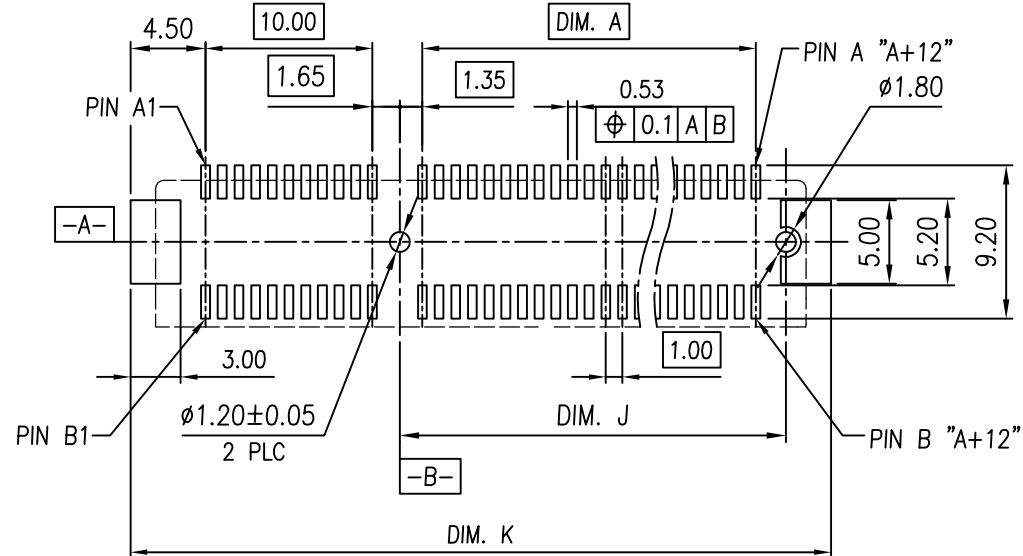
TITLE: PCI-E CARD EDGE GEN5 SMT				
PART NO.	91650-XXXXXX			
DWG NO.	C-91650			
	UNITS: MM	SCALE: 1 : 1	SHEET: 1 OF 4	REV: 4

REV	ECN NO.	NAME	DATE
4	-----	Lei Songping	Sep,22,2022
3	-----	Lei Songping	Aug,02,2022



← I/O PANEL DIRECTION
PRIMARY (COMPONENT) SIDE

NOTES:
CHAMFER EDGE MUST BE FREE OF CUTTING BURRS



RECOMMENDED PCB LAYOUT
(COMPONENT SIDE)
TOLERANCE: ±0.05

POS.	DIM. A	DIM. H	DIM. J	DIM. K
36	6	8.15	9.15	28.0
64	20	22.15	23.15	42.0
98	37	39.15	40.15	59.0
164	70	72.15	73.15	92.0

PROVISIONAL

REV	SEE SHEET 1	NAME	DATE
ECN NO.			

TOLERANCE	
LINEAR	ANGLES
X.±0.40	X'±
.X±0.30	.X'±
.XX±0.20	.XX'±
.XXX±0.10	.XXX'±

UMax conn 东莞市友贸实业有限公司
DONGGUAN UMAX ENTERPRISE LIMITED

APPD: Jason MAT'L:
CHKD: Schumi FINISH:
DRWN: Lei Songping Q'TY:

TITLE: PCI-E CARD EDGE GEN5 SMT

PART NO. 91650-XXXXXX

DWG NO. C-91650

UNITS	SCALE	SHEET	REV
MM	1 : 1	2 OF 4	4

NOTES:

1. MATERIAL:

- 1.1 HOUSING: THERMOPLASTIC, HIGH TEMP, UL94V-0, COLOR: SEE PART No..
- 1.2 CONTACTS: COPPER ALLOY.
- 1.3 HOLDDOWN: COPPER ALLOY.

2. FINISH:

2.1 CONTACT:

- SELECTIVE GOLD PLATING ON THE CONTACT AREA.
- 100 μ " MIN. MATTE-TIN PLATING ON THE SOLDER TAILS,
- 50 μ " MIN. NICKEL UNDERPLATING OVERALL.

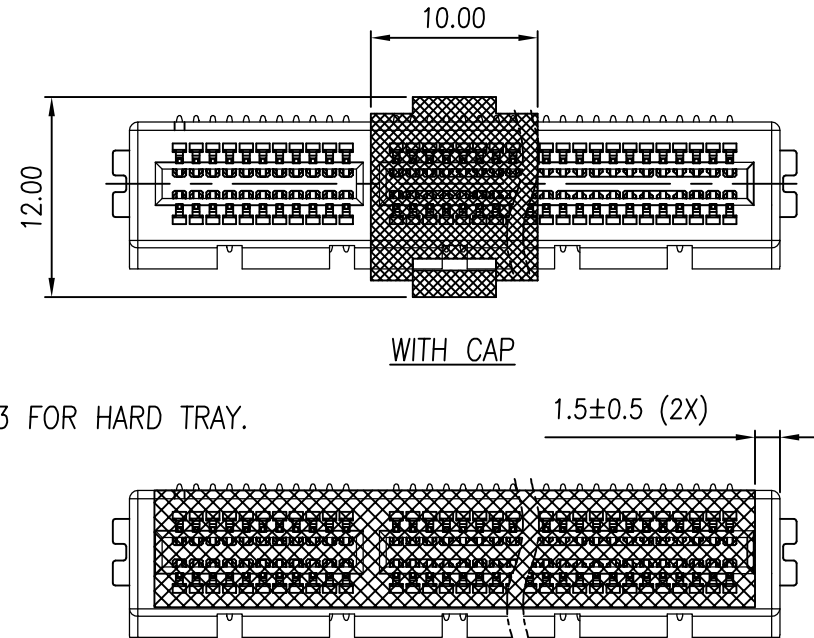
2.2 HOLDDOWN:

- 100 μ " MIN. MATTE-TIN PLATING WITH 50 μ " MIN. NICKEL UNDERPLATE OVERALL.

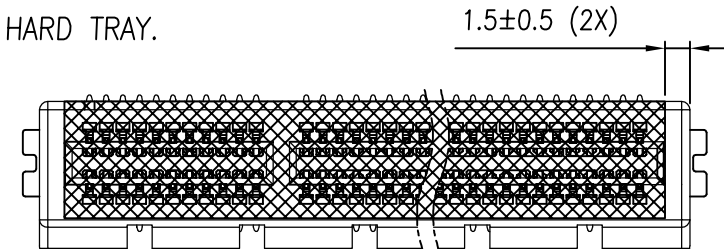
4. PRODUCT SPEC: PS-GEN5-01

5. PACKAGING SPEC: 311304001 FOR TRAY, 311304002 FOR TAPE & REEL, 311304003 FOR HARD TRAY.

6. THE PATENT IS OBTAINED FOR UMAX



WITH CAP



WITH MYLAR

PART NO.

91650 - X 1 X X X HF

Ridge Options
0: Non Ridge
1: With Ridge

HSG Color
1: Black

Post Options
0: With Post
1: Without Post

Contact Plating
0: 30u" Gold
1: 15u" Gold
2: Gold Flash

Packing Options

- T-Tray Packaging
- C-Tray Packaging With Cap
- N-Tray Packaging With Mylar
- R: Tape & Reel Packaging (24PH For 164P, 20PH For Other Pins)
- P: Tape & Reel Packaging With Cap (24PH For 164P, 20PH For Other Pins)
- M: Tape & Reel Packaging With Mylar (24PH For 164P, 20PH For Other Pins)
- Y-Hard Tray (338x235x21.4)
- Z-Hard Tray (338x235x21.4) With Mylar
- B-Hard Tray (338x235x21.4) With Cap

No. of Pins

- 0: 36P
- 1: 64P
- 2: 98P
- 3: 164P

PROVISIONAL

TOLERANCE	
LINEAR	ANGLES
X.±0.40	X'±
.X±0.30	.X'±
.XX±0.20	.XX'±
.XXX±0.10	.XXX'±

UMax conn 东莞市友贸实业有限公司
DONGGUAN UMAX ENTERPRISE LIMITED

APPD: Jason MAT'L:
CHKD: Schumi FINISH:
DRWN: Lei Songping Q'TY:

TITLE: PCI-E CARD EDGE GEN5 SMT

PART NO. 91650-XXXXXX

DWG NO. C-91650

UNITS	SCALE	SHEET	REV
	MM	1 : 1	3 OF 4

SEE SHEET 1			
REV	ECN NO.	NAME	DATE

X-ON Electronics

Largest Supplier of Electrical and Electronic Components

Click to view similar products for [Standard Card Edge Connectors](#) category:

Click to view products by [UMAX](#) manufacturer:

Other Similar products are found below :

[CR7E-30DB-3.96E\(72\)](#) [6565204-6](#) [1437274-4](#) [EBT15622B2X](#) [EBT156-22R2W](#) [1-582587-1](#) [284-0102-12100](#) [286-0052-12101A](#)
[306022901000000](#) [307-056-520-300](#) [A6D22DS29C2](#) [1926088-2](#) [245-062-520-350](#) [287-0032-12101](#) [306-028-525-102](#) [307-072-526-202](#) [345-](#)
[060-559-303](#) [534671-1](#) [341-240-317](#) [345-044-500-300](#) [346-240-318](#) [395-100-524-300](#) [09-07-2032](#) [10035388-802LF](#) [10115859-011LF](#)
[10122859-009LF](#) [101269333204245CLF](#) [530555-1](#) [66925-516LF](#) [5145409-2](#) [73726-0005](#) [66308-1](#) [5036A30](#) [PEC-07-02-T-S-A](#) [KSLX-62-](#)
[BR](#) [CE100F26-7-C](#) [CE100F28-3-D](#) [CE100F28-4-D](#) [CE156F22-9-C](#) [CT100F24-3-D](#) [CT100F24-6-C](#) [MLSS100-12-C](#) [SCC100F-11-C](#)
[SCC100F-20-C](#) [SCC100F-24-C](#) [SCC100F-25-C](#) [3-530656](#) [285-0112-12300](#) [346-068-556-300](#) [284-0492-11000](#)