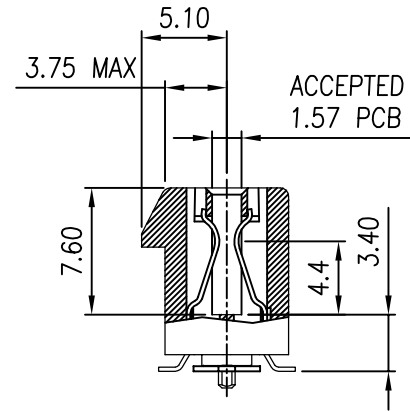
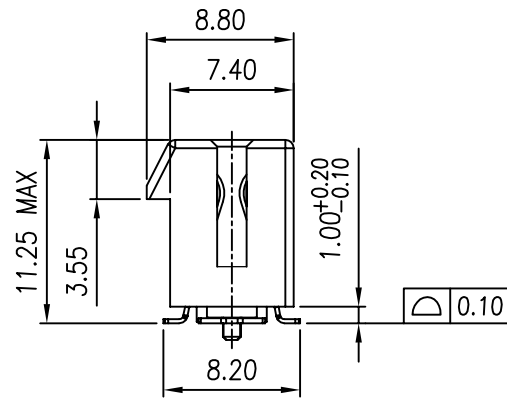
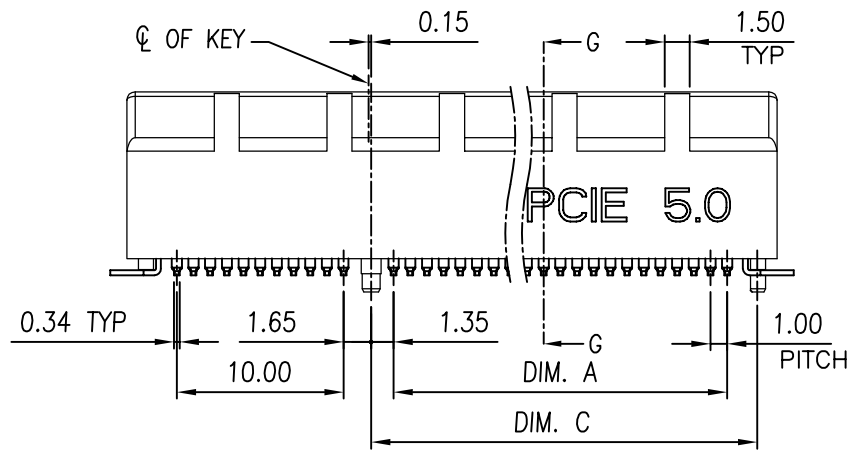
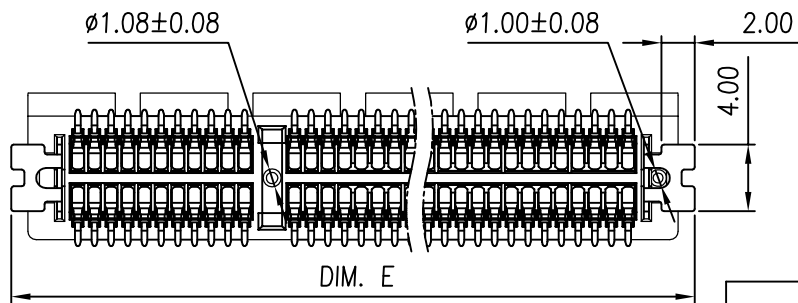


DIMENSIONS				
POSITION	A±0.20	C ±0.25	D ±0.25	E ±0.30
36	6.00	9.15	25	27
64	20.00	23.15	39	41
98	37.00	40.15	56	58
164	70.00	73.15	89	91



PROVISIONAL

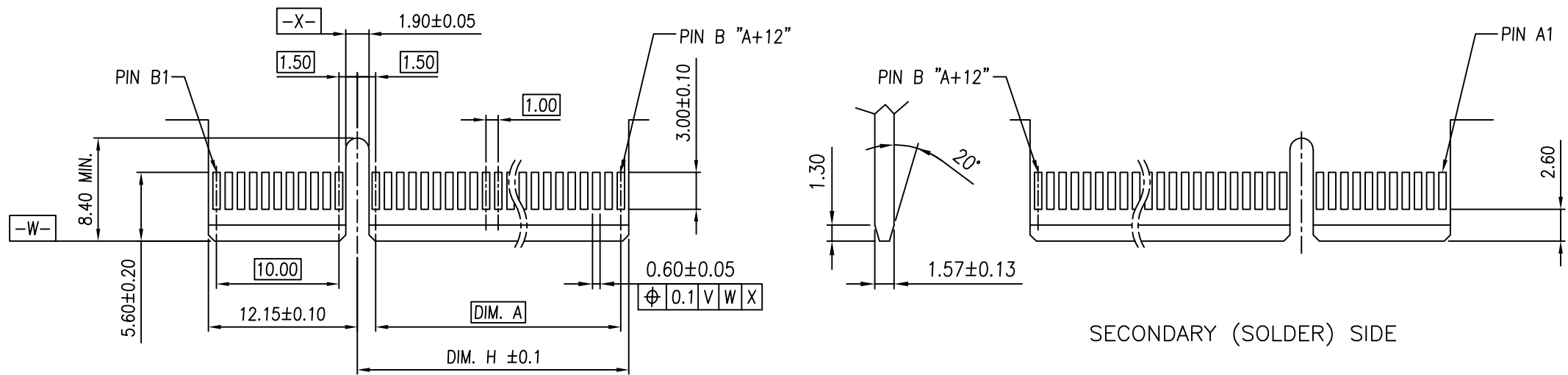


REV	ECN NO.	NAME	DATE
0	-----	Lei Songping	Jul,19,2022

TOLERANCE	
LINEAR	ANGLES
X.±0.40	X'±
.X±0.30	.X'±
.XX±0.20	.XX'±
.XXX±0.10	.XXX'±

UMax 东莞市友贸实业有限公司 conn DONGGUAN UMAX ENTERPRISE LIMITED	
APPD: Jason	MAT'L:
CHKD: Schumi	FINISH:
DRWN: Lei Songping	Q'TY:

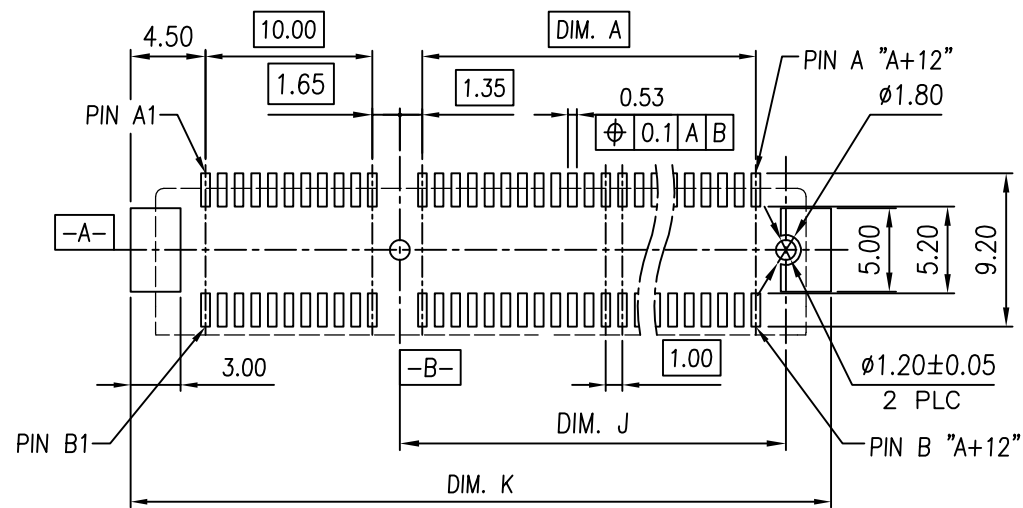
TITLE: PCI-E CARD EDGE GEN5 SMT OPEN END			
PART NO. 91651-XXXXXX		DWG NO. C-91651	
UNITS MM	SCALE 1 : 1	SHEET 1 OF 3	REV 0



← I/O PANEL DIRECTION
PRIMARY (COMPONENT) SIDE

NOTES:
CHAMFER EDGE MUST BE FREE OF CUTTING BURRS

SECONDARY (SOLDER) SIDE



RECOMMENDED PCB LAYOUT
(COMPONENT SIDE)
TOLERANCE: ± 0.05

POS.	DIM. A	DIM. H	DIM. J	DIM. K
36	6	8.15	9.15	28.0
64	20	22.15	23.15	42.0
98	37	39.15	40.15	59.0
164	70	72.15	73.15	92.0

PROVISIONAL

REV	ECN NO.	NAME	DATE	TOLERANCE		UMax conn 东莞市友贸实业有限公司 DONGGUAN UMAX ENTERPRISE LIMITED	TITLE: PCI-E CARD EDGE GEN5 SMT OPEN END				
				LINEAR	ANGLES		PART NO.	91651-XXXXXX			
				X.±0.40	X'±	APPD: Jason	MAT'L:				
	SEE SHEET 1			.X±0.30	.X'±	CHKD: Schumi	FINISH:				
				.XX±0.20	.XX'±	DRWN: Lei Songping	Q'TY:				
				.XXX±0.10	.XXX'±			UNITS	SCALE	SHEET	REV
							MM	1 : 1	2 OF 3	0	CUSTOMER

NOTES:

1. MATERIAL:

- 1.1 HOUSING: THERMOPLASTIC, HIGH TEMP, UL94V-0, COLOR: SEE PART No..
- 1.2 CONTACTS: COPPER ALLOY.
- 1.3 HOLDDOWN: COPPER ALLOY.

2. FINISH:

2.1 CONTACT:

- SELECTIVE GOLD PLATING ON THE CONTACT AREA.
- 100 μ " MIN. MATTE-TIN PLATING ON THE SOLDER TAILS,
- 50 μ " MIN. NICKEL UNDERPLATING OVERALL.

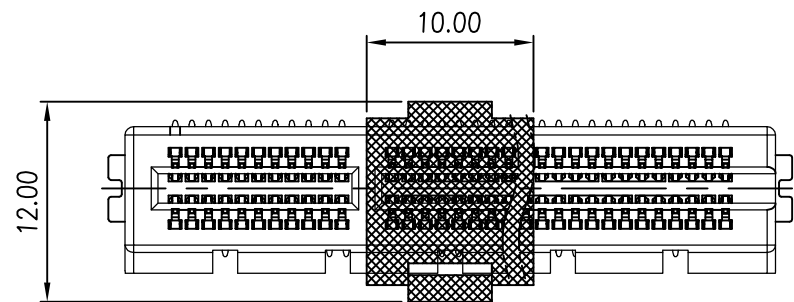
2.2 HOLDDOWN:

- 100 μ " MIN. MATTE-TIN PLATING WITH 50 μ " MIN. NICKEL UNDERPLATE OVERALL.

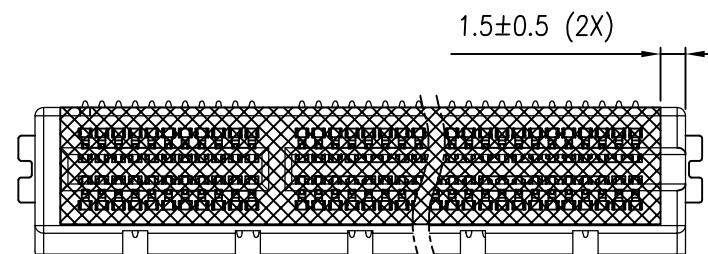
4. PRODUCT SPEC: PS-GEN5-01

5. PACKAGING SPEC: 311304001 FOR TRAY, 311304003 HARD TRAY.

6. THE PATENT IS OBTAINED FOR UMAX



WITH CAP



WITH MYLAR

PART NO.

91651 - X 1 X X X HF

Ridge Options
0: Non Ridge
1: With Ridge

HSG Color
1: Black

Post Options
0: With Post
1: Without Post

Contact Plating
0: 30 μ " Gold
1: 15 μ " Gold
2: Gold Flash

Packing Options

- T-Tray Packaging
- C-Tray Packaging With Cap
- N-Tray Packaging With Mylar
- Y-Hard Tray(338x235)
- Z-Hard Tray(338x235) With Mylar
- B-Hard Tray(338x235) With Cap

No. of Pins

- 0: 36P
- 1: 64P
- 2: 98P
- 3: 164P

PROVISIONAL

		TOLERANCE		UMax 东莞市友贸实业有限公司 conn DONGGUAN UMAX ENTERPRISE LIMITED		TITLE: PCI-E CARD EDGE GEN5 SMT OPEN END					
		LINEAR	ANGLES			PART NO. 91651-XXXXXX					
		X.±0.40	X'±	APPD: Jason	MAT'L:	DWG NO. C-91651		UNITS	SCALE	SHEET	REV
		.X±0.30	.X'±	CHKD: Schumi	FINISH:	MM	1 : 1	3 OF 3		0	
	SEE SHEET 1	.XX±0.20	.XX'±	DRWN: Lei Songping	Q'TY:						
REV	ECN NO.	NAME	DATE	.XXX±0.10	.XXX'±						

X-ON Electronics

Largest Supplier of Electrical and Electronic Components

Click to view similar products for [Standard Card Edge Connectors](#) category:

Click to view products by [UMAX](#) manufacturer:

Other Similar products are found below :

[CR7E-30DB-3.96E\(72\)](#) [6565204-6](#) [1437274-4](#) [EBT15622B2X](#) [EBT156-22R2W](#) [1-582587-1](#) [284-0102-12100](#) [286-0052-12101A](#)
[306022901000000](#) [307-056-520-300](#) [A6D22DS29C2](#) [1926088-2](#) [245-062-520-350](#) [287-0032-12101](#) [306-028-525-102](#) [307-072-526-202](#) [345-](#)
[060-559-303](#) [534671-1](#) [341-240-317](#) [345-044-500-300](#) [346-240-318](#) [395-100-524-300](#) [09-07-2032](#) [10035388-802LF](#) [10115859-011LF](#)
[10122859-009LF](#) [101269333204245CLF](#) [530555-1](#) [66925-516LF](#) [5145409-2](#) [73726-0005](#) [66308-1](#) [5036A30](#) [PEC-07-02-T-S-A](#) [KSLX-62-](#)
[BR](#) [CE100F26-7-C](#) [CE100F28-3-D](#) [CE100F28-4-D](#) [CE156F22-9-C](#) [CT100F24-3-D](#) [CT100F24-6-C](#) [MLSS100-12-C](#) [SCC100F-11-C](#)
[SCC100F-20-C](#) [SCC100F-24-C](#) [SCC100F-25-C](#) [3-530656](#) [285-0112-12300](#) [346-068-556-300](#) [284-0492-11000](#)