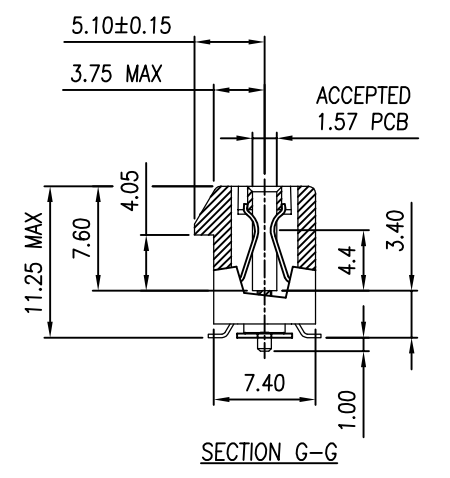
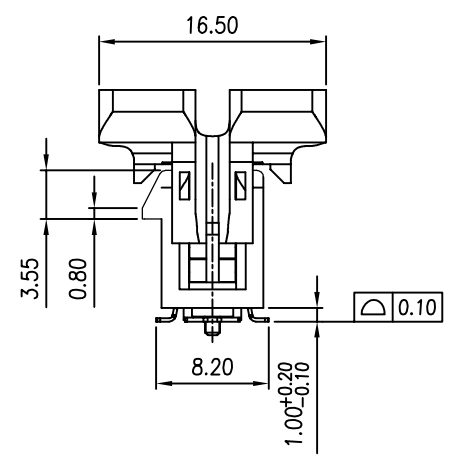


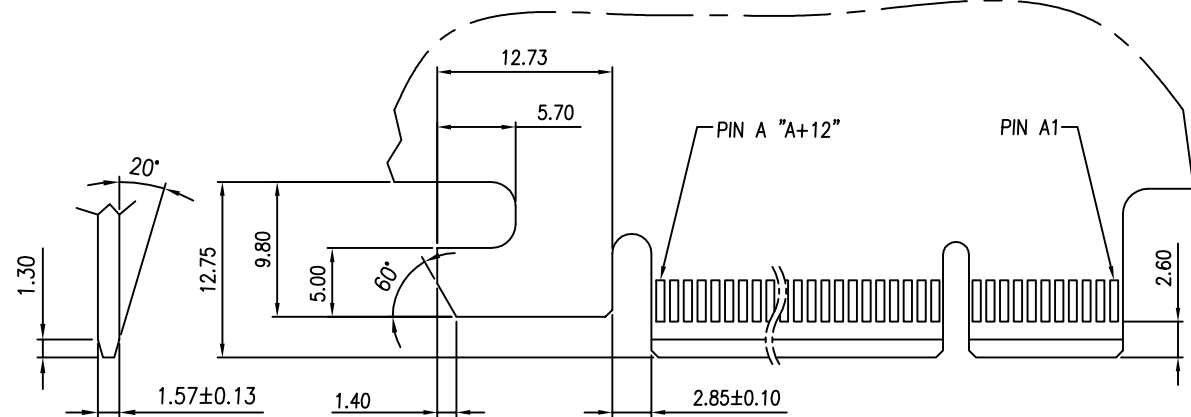
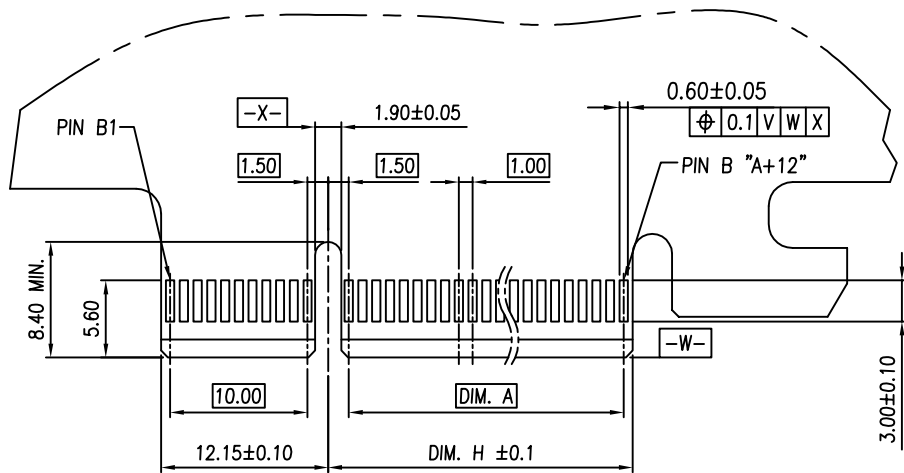
DIMENSIONS						
POSITION	A±0.20	B <sup>+0.20</sup> <sub>-0.08</sub>	C ±0.25	D ±0.25	E ±0.30	F ±0.55
36	6	7.65	9.15	25	27	50.7
64	20	21.65	23.15	39	41	64.7
98	37	38.65	40.15	56	58	81.7
164	70	71.65	73.15	89	91	114.7



PROVISIONAL

				TOLERANCE		<b>UMax</b> 东莞市友贸实业有限公司 <b>conn</b> DONGGUAN UMAX ENTERPRISE LIMITED		TITLE: PCI-E CARD EDGE GEN5 SMT WITH LATCH			
		LINEAR	ANGLES	PART NO. 91652-XXXXXX							
		X.±0.40	X'±	DWG NO. C-91652				UNITS	SCALE	SHEET	REV
		.X±0.30	.X'±	APPD: Jason	MAT'L:		MM	1 : 1	1 OF 3	0	
0	-----	.XX±0.20	.XX'±	CHKD: Schumi	FINISH:						
REV	ECN NO.	.XXX±0.10	.XXX'±	DRWN: Lei Songping	Q'TY:						

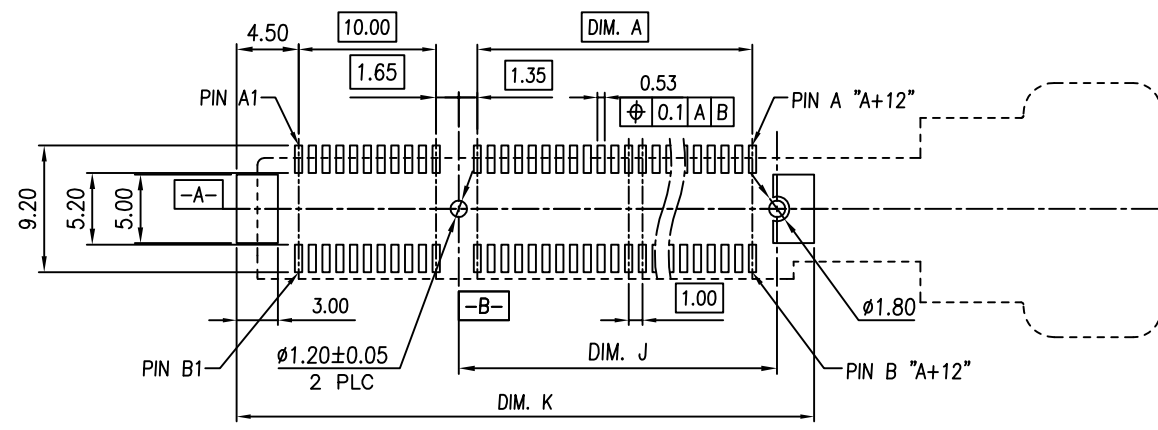
REV	ECN NO.	NAME	DATE
0	-----	Lei Songping	Jul,19,2022



I/O PANEL DIRECTION  
PRIMARY (COMPONENT) SIDE

NOTES:  
CHAMFER EDGE MUST BE FREE OF CUTTING BURRS

SECONDARY (SOLDER) SIDE



RECOMMENDED PCB LAYOUT  
(COMPONENT SIDE)  
TOLERANCE: ±0.05

POS.	DIM. A	DIM. H	DIM. J	DIM. K
36	6	8.15	9.15	28.0
64	20	22.15	23.15	42.0
98	37	39.15	40.15	59.0
164	70	72.15	73.15	92.0

PROVISIONAL

REV	SEE SHEET 1	NAME	DATE
ECN NO.			

TOLERANCE	
LINEAR	ANGLES
X.±0.40	X'±
.X±0.30	.X'±
.XX±0.20	.XX'±
.XXX±0.10	.XXX'±

<b>UMax</b> 东莞市友贸实业有限公司 <b>conn</b> DONGGUAN UMAX ENTERPRISE LIMITED	
APPD: Jason	MAT'L:
CHKD: Schumi	FINISH:
DRWN: Lei Songping	Q'TY:

TITLE: PCI-E CARD EDGE GEN5 SMT WITH LATCH				
PART NO. 91652-XXXXXX				
DWG NO. C-91652				
UNITS MM	SCALE 1 : 1	SHEET 2 OF 3	REV 0	
			CUSTOMER	

NOTES:

1. MATERIAL:

- 1.1 HOUSING: THERMOPLASTIC, HIGH TEMP, UL94V-0, COLOR: SEE PART No.
- 1.2 LATCH: THERMOPLASTIC, HIGH TEMP, UL94V-0, COLOR: SEE PART NO.
- 1.3 CONTACTS: COPPER ALLOY.
- 1.4 HOLDDOWN: COPPER ALLOY.

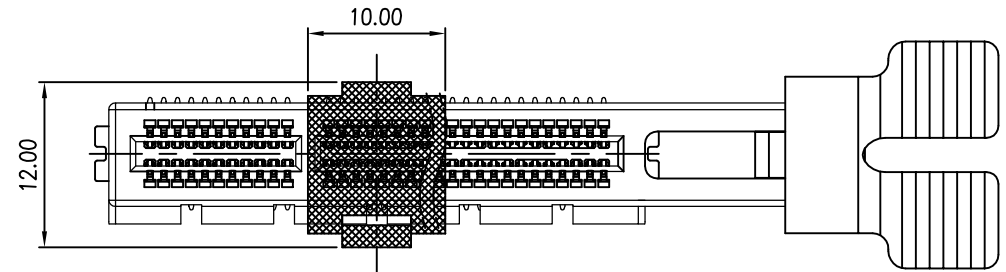
2. FINISH:

- 2.1 CONTACT:
  - SELECTIVE GOLD PLATING ON THE CONTACT AREA.
  - 100 $\mu$ " MIN. MATTE-TIN PLATING ON THE SOLDER TAILS,
  - 50 $\mu$ " MIN. NICKEL UNDERPLATING OVERALL.
- 2.2 HOLDDOWN:
  - 100 $\mu$ " MIN. MATTE-TIN PLATING WITH 50 $\mu$ " MIN. NICKEL UNDERPLATE OVERALL.

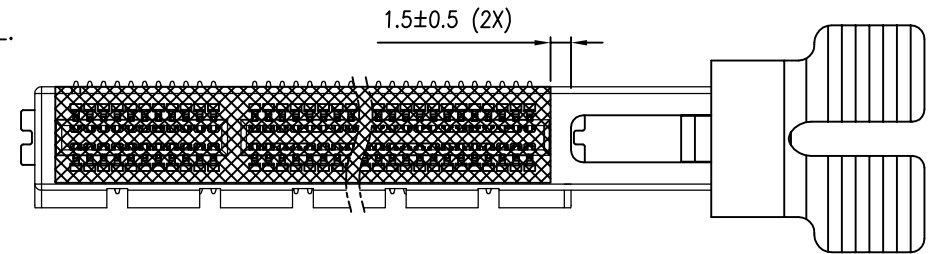
4. PRODUCT SPEC: PS-GEN5-01

5. PACKAGING SPEC: GEN504001 FOR TRAY, GEN504002 FOR HARD TRAY.

6. THE PATENT IS OBTAINED FOR UMAX



WITH CAP



WITH MYLAR

PART NO.

91652 - X X X X X X HF

Ridge Options  
 0: Non Ridge  
 1: With Ridge

HSG Color  
 1-Black HSG + Natural LATCH  
 2-Black HSG + Black LATCH

Post Options  
 0: With Post  
 1: Without Post

Contact Plating  
 0: 30u" Gold  
 1: 15u" Gold  
 2: Gold Flash

Packing Options

- T-Tray Packaging
- C-Tray Packaging With Cap
- N-Tray Packaging With Mylar
- Y-Hard Tray(372x185)
- Z-Hard Tray(372x185) With Mylar
- B-Hard Tray(372x185) With Cap

No. of Pins  
 0: 36P  
 1: 64P  
 2: 98P  
 3: 164P

PROVISIONAL

TOLERANCE	
LINEAR	ANGLES
X.±0.40	X'±
.X±0.30	.X'±
.XX±0.20	.XX'±
.XXX±0.10	.XXX'±

**UMax** 东莞市友贸实业有限公司  
**conn** DONGGUAN UMAX ENTERPRISE LIMITED

APPD: Jason MAT'L:  
 CHKD: Schumi FINISH:  
 DRWN: Lei Songping Q'TY:

TITLE: PCI-E CARD EDGE GEN5 SMT WITH LATCH

PART NO. 91652-XXXXXX

DWG NO. C-91652

	UNITS	SCALE	SHEET	REV
	MM	1 : 1	3 OF 3	0

SEE SHEET 1			
REV	ECN NO.	NAME	DATE

## X-ON Electronics

Largest Supplier of Electrical and Electronic Components

*Click to view similar products for [Standard Card Edge Connectors](#) category:*

*Click to view products by [UMAX](#) manufacturer:*

Other Similar products are found below :

[CR7E-30DB-3.96E\(72\)](#) [6565204-6](#) [1437274-4](#) [1-582587-1](#) [284-0102-12100](#) [286-0052-12101A](#) [306022901000000](#) [A6D22DS29C2](#) [1926088-2](#) [245-062-520-350](#) [287-0032-12101](#) [306-028-525-102](#) [307-072-526-202](#) [330-030-500-278](#) [345-060-559-303](#) [534671-1](#) [341-240-317](#) [345-044-500-300](#) [346-240-318](#) [C7D10DS29C1M133](#) [395-100-524-300](#) [09-07-2032](#) [10035388-802LF](#) [10115859-011LF](#) [10122859-009LF](#) [101269333204245CLF](#) [530555-1](#) [66925-516LF](#) [5145409-2](#) [73726-0005](#) [66308-1](#) [EBC05DRXN](#) [KSLX-62-BR](#) [CE100F26-7-C](#) [CE100F28-3-D](#) [CE100F28-4-D](#) [CE156F22-9-C](#) [CT100F24-3-D](#) [CT100F24-6-C](#) [MLSS100-12-C](#) [SCC100F-11-C](#) [SCC100F-20-C](#) [SCC100F-24-C](#) [SCC100F-25-C](#) [3-530656](#) [2512250177](#) [285-0112-12300](#) [346-068-556-300](#) [284-0492-11000](#) [287-0032-12301](#)