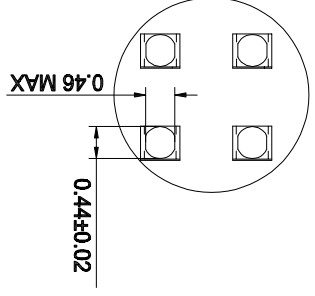
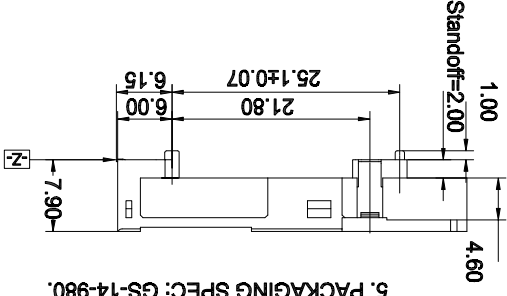
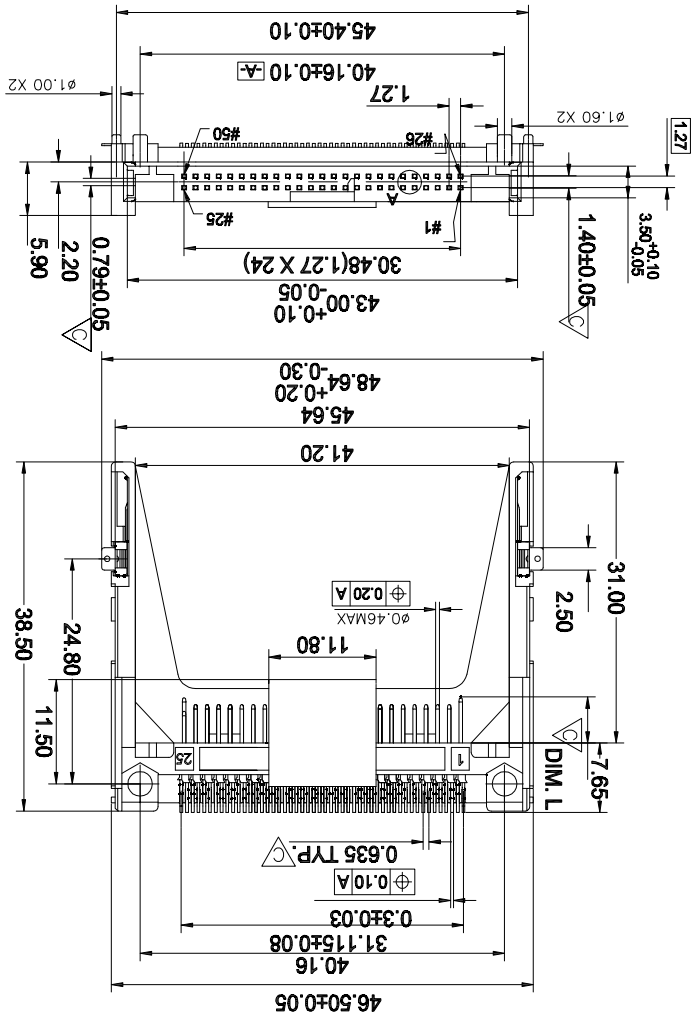


PIN NUMBER	DIM. L±0.15
25,26	3.50
ALL OTHER PINS	4.25
1, 13, 38, 50	5.00

NOTE: DIMENSIONAL MARK  $\nabla$  SHALL BE CHECKED BY O.Q.C.



5. PACKAGING SPEC: GS-14-980.  
4. PRODUCT SPEC: GS-12-240.

3. SOLDER TAILS TO BE WITHIN 0.05 UPWARD AND 0.2 DOWNWARD FROM Z-DATUM PLACE, AND COPLANARITY OF SOLDER TAILS TO BE WITHIN 0.10mm.
2. PLATING :  
 CONTACT AREA: SELECTIVE GOLD (SEE P/N DESCRIPTION)  
 UNDER PLATING: 50u" Min. NICKEL OVERALL  
 SOLDER TAIL AREA: 100u" Min. TIN/LEAD or 100u" Min. MATTE TIN.  
 GROUND MOUNTING EAR CONTACT AREA: COLD FLASH.  
 GROUND MOUNTING EAR SOLDER AREA: 100u" Min. TIN/LEAD or 100u" Min. MATTE TIN.
1. MATERIAL :  
 INSULATOR : SUMIKASUPER LCP E6807  
 FLAMMABILITY RATING: UL94V-0  
 COLOR: IVORY  
 CONTACT : BRASS C2680R-H, t=0.30mm.  
 GROUND MOUNTING EAR: BRASS C2680R-H, t=0.20mm.  
 PICK-UP CAP:LCP E130!

REV	ECN NO.	NAME	DATE	XXX±	XXX±	DRWN: Terry	Q'TY:
				.XX±0.10	.XX±0.10		
				.X±	.X±	CHKD: Schumi	FINISH:
				.X±	.X±	APPD: Jason	MATL:
				X±0.40	X±	 DONGGUAN UMAXGONN ENTERPRISE LIMITED 东莞市外贸实业有限公司	
				LINEAR	ANGLES	TOLERANCE	
						PART NO. CFH-4420LBMXXMNC DWG NO. 4420LBM07001	
						TITLE: CF HEADER TYPE II NORMAL S/□=2.0	
						MM	UNITS
						1:1	SCALE
						1 OF 2	SHEET
						A	REV

8 CUSTOMER 7 6 5 4 3 2 1

6.Part Number Description:

P/N: CFH-4420LBM XX MNC

Contact Area Plating

01: Gold Flash

15: 15u" Gold

30: 30u" Gold

7. THIS PRODUCT MEETS THE EUROPEAN UNION DIRECTIVE

AS DESCRIBED IN GS-22-008.

8. THIS PRODUCT MEETS THE EUROPEAN UNION DIRECTIVE

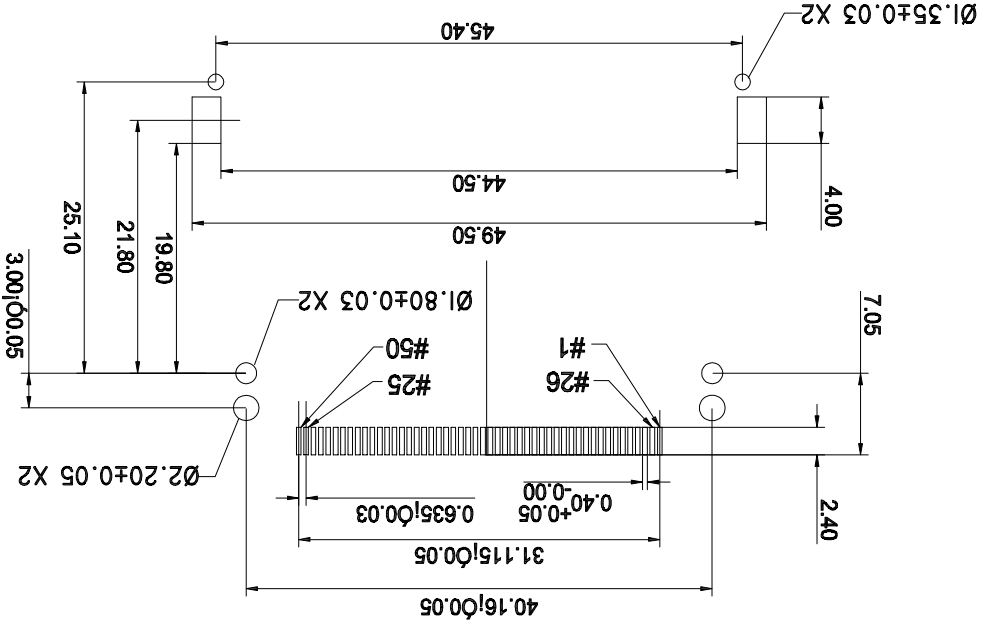
AS DESCRIBED IN GS-22-008 EXCEPT FOR Pb.

9. THE HOUSING WILL WITHSTAND EXPOSURE TO 260°C PEAK TEMPERATURE

FOR 10 SECONDS IN A CONVECTION, IR OR VAPER PHASE REFLOW OVEN.

10. THE PRODUCTS WHERE THE PART NUMBER ENDS IN "LF" MEET THE

CRITERIA SHOWN IN THE NOTES 7 AND 9.



**UMax**  
DONGGUAN UMAXCONN ENTERPRISE LIMITED  
东莞市友贸实业有限公司

TOLERANCE

LINEAR ANGLES

X.±

X.±

X.±

X.±

APPD: Jason

CHKD: Schumi

DRWN: Terry

Q'TY:

MATL:

FINISH:

UNITS

SCALE

SHEET

REV

DWG NO. 4420LBM07001

PART NO. CFH-4420LBMXXMNC

TITLE: CF HEADER TYPE II NORMAL

S/□=2.0

MM

1:1

2 OF 2

A

REV

ECN NO.

NAME

DATE

X.XX±0.10

X.XX±

CHKD:

DRWN:

Q'TY:

MATL:

FINISH:

UNITS

SCALE

SHEET

REV

DWG NO. 4420LBM07001

PART NO. CFH-4420LBMXXMNC

TITLE: CF HEADER TYPE II NORMAL

S/□=2.0

MM

1:1

2 OF 2

A

REV

ECN NO.

NAME

DATE

X.XX±0.10

X.XX±

CHKD:

DRWN:

Q'TY:

MATL:

FINISH:

UNITS

SCALE

SHEET

REV

DWG NO. 4420LBM07001

PART NO. CFH-4420LBMXXMNC

TITLE: CF HEADER TYPE II NORMAL

S/□=2.0

MM

1:1

2 OF 2

A

REV

ECN NO.

NAME

DATE

X.XX±0.10

X.XX±

CHKD:

DRWN:

Q'TY:

MATL:

FINISH:

UNITS

SCALE

SHEET

REV

DWG NO. 4420LBM07001

PART NO. CFH-4420LBMXXMNC

TITLE: CF HEADER TYPE II NORMAL

S/□=2.0

MM

1:1

2 OF 2

A

REV

ECN NO.

NAME

DATE

X.XX±0.10

X.XX±

CHKD:

DRWN:

Q'TY:

MATL:

FINISH:

UNITS

SCALE

SHEET

REV

DWG NO. 4420LBM07001

PART NO. CFH-4420LBMXXMNC

TITLE: CF HEADER TYPE II NORMAL

S/□=2.0

MM

1:1

2 OF 2

A

REV

ECN NO.

NAME

DATE

X.XX±0.10

X.XX±

CHKD:

DRWN:

Q'TY:

MATL:

FINISH:

UNITS

SCALE

SHEET

REV

DWG NO. 4420LBM07001

PART NO. CFH-4420LBMXXMNC

TITLE: CF HEADER TYPE II NORMAL

S/□=2.0

MM

1:1

2 OF 2

A

REV

ECN NO.

NAME

DATE

X.XX±0.10

X.XX±

CHKD:

DRWN:

Q'TY:

MATL:

FINISH:

UNITS

SCALE

SHEET

REV

DWG NO. 4420LBM07001

PART NO. CFH-4420LBMXXMNC

TITLE: CF HEADER TYPE II NORMAL

S/□=2.0

MM

1:1

2 OF 2

A

REV

ECN NO.

NAME

DATE

X.XX±0.10

X.XX±

CHKD:

DRWN:

Q'TY:

MATL:

FINISH:

UNITS

SCALE

SHEET

REV

DWG NO. 4420LBM07001

PART NO. CFH-4420LBMXXMNC

TITLE: CF HEADER TYPE II NORMAL

S/□=2.0

MM

1:1

2 OF 2

A

REV

ECN NO.

NAME

DATE

X.XX±0.10

X.XX±

CHKD:

DRWN:

Q'TY:

MATL:

FINISH:

UNITS

SCALE

SHEET

REV

DWG NO. 4420LBM07001

PART NO. CFH-4420LBMXXMNC

TITLE: CF HEADER TYPE II NORMAL

S/□=2.0

MM

1:1

2 OF 2

A

REV

ECN NO.

NAME

DATE

X.XX±0.10

X.XX±

CHKD:

DRWN:

Q'TY:

MATL:

FINISH:

UNITS

SCALE

SHEET

REV

DWG NO. 4420LBM07001

PART NO. CFH-4420LBMXXMNC

TITLE: CF HEADER TYPE II NORMAL

S/□=2.0

MM

1:1

2 OF 2

A

REV

ECN NO.

NAME

DATE

X.XX±0.10

X.XX±

CHKD:

DRWN:

Q'TY:

MATL:

FINISH:

UNITS

SCALE

SHEET

REV

DWG NO. 4420LBM07001

PART NO. CFH-4420LBMXXMNC

TITLE: CF HEADER TYPE II NORMAL

S/□=2.0

MM

1:1

2 OF 2

A

REV

ECN NO.

NAME

DATE

X.XX±0.10

X.XX±

CHKD:

DRWN:

Q'TY:

MATL:

FINISH:

UNITS

SCALE

SHEET

REV

DWG NO. 4420LBM07001

PART NO. CFH-4420LBMXXMNC

TITLE: CF HEADER TYPE II NORMAL

S/□=2.0

MM

1:1

2 OF 2

A

REV

ECN NO.

NAME

DATE

X.XX±0.10

X.XX±

CHKD:

DRWN:

Q'TY:

MATL:

FINISH:

UNITS

SCALE

SHEET

REV

DWG NO. 4420LBM07001

PART NO. CFH-4420LBMXXMNC

TITLE: CF HEADER TYPE II NORMAL

## X-ON Electronics

Largest Supplier of Electrical and Electronic Components

*Click to view similar products for [Standard Card Edge Connectors](#) category:*

*Click to view products by [UMAX](#) manufacturer:*

Other Similar products are found below :

[6565204-6](#) [PKC-156](#) [1437274-4](#) [147889-1](#) [1489165-4](#) [EBT156-12B1X](#) [EBT15622B2X](#) [EBT156-22R2W](#) [1-582587-1](#) [1-582589-1](#) [2-6437275-9](#) [284-0102-12100](#) [306022901000000](#) [307-012-502-202](#) [307-024-526-201](#) [307-056-520-300](#) [307-080-526-208](#) [1926088-2](#) [245-062-520-350](#) [287-0032-12101](#) [306-010-500-112](#) [306-028-525-102](#) [306-240-318](#) [307-036-502-202](#) [307-036-521-301](#) [307-072-526-202](#) [345-060-559-303](#) [368-004-520-201](#) [392-008-559-201](#) [534671-1](#) [5-530501-5](#) [341-240-317](#) [345-029-520-300](#) [345-030-500-301](#) [345-044-500-300](#) [345-220-058](#) [346-240-318](#) [387-012-523-300](#) [395-044-520-300](#) [395-100-524-300](#) [50-12B-10](#) [50-6SN-5](#) [09-07-2032](#) [10035388-106LF](#) [10035388-802LF](#) [10115859-011LF](#) [10122859-009LF](#) [101269333204245CLF](#) [10127905-B04B24BLF](#) [530555-1](#)