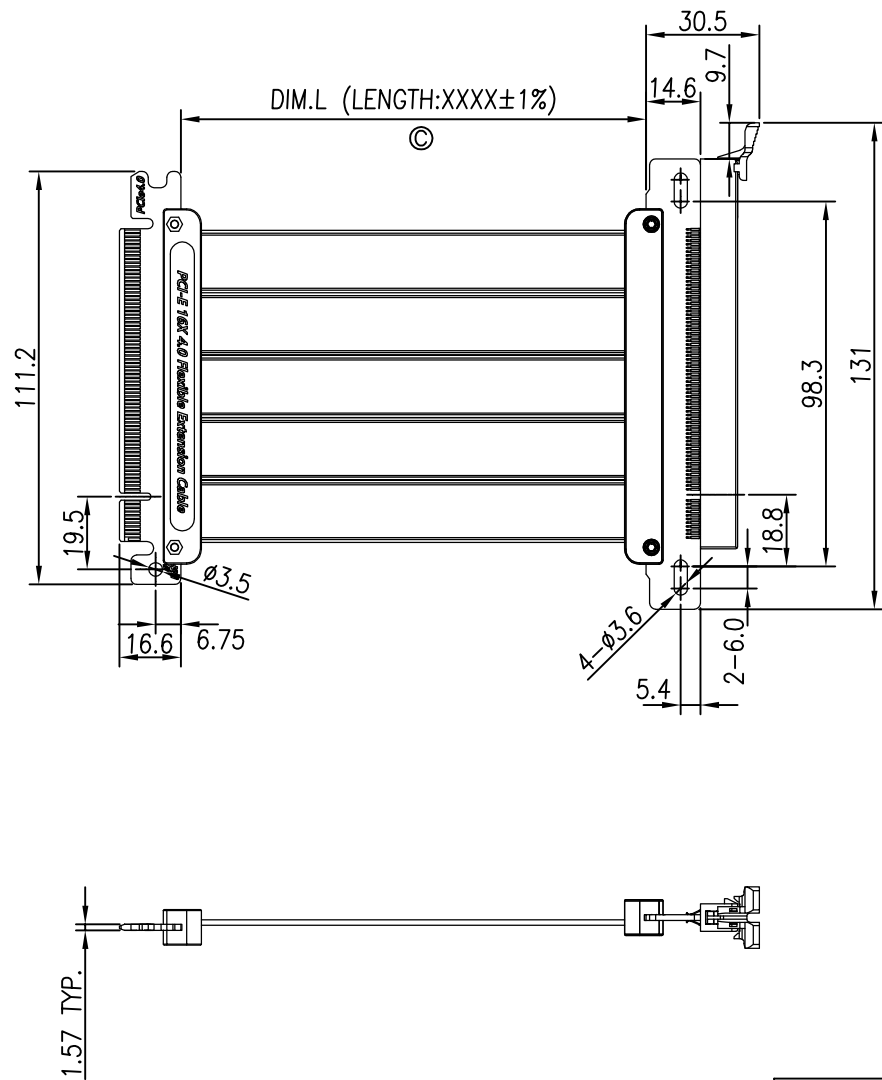




**THIS PRODUCT MANUFACTURED  
WITH LEAD-FREE PROCESSING**



**NOTES:**

- 1. © REPRESENTS A CRITICAL DIMENSION.
- 2. SUB-TTF LENGTH IS EQUAL TO PCIEC LENGTH.
- 3. ALL ASSEMBLIES TO BE 100% ELECTRICALLY TESTED FOR SHORTS AND OPENS.
- 4. ALL ASSEMBLIES TO BE 100% HI-POT TESTED AT 300V.
- 5. HOT PLUG DETECT COMMON AND ONLY FIRST AND LAST USED ON EACH POSITION.
- 6. CABLE LENGTHS LONGER THAN 1015 MILLIMETERS ARE NOT SUPPORTED BY S.I. TEST DATA.
- 7. PART NO.

PCIE-XX-XXX-XXXX-EM-2218

PCI Generation

- G3: PCIE3.0
- G4: PCIE4.0
- ....

Type

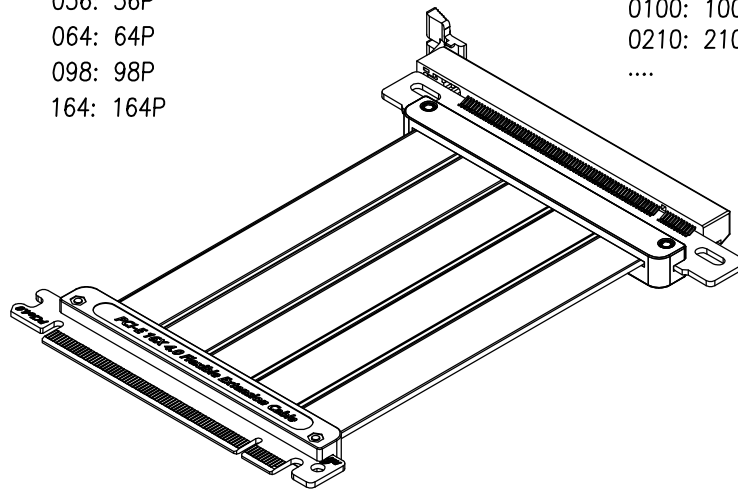
- EM: EC TO EM
- EC: EC TO EC
- ....

No. of Pins

- 036: 36P
- 064: 64P
- 098: 98P
- 164: 164P

Product Length "DIM.L"

- 0100: 100MM
- 0210: 210MM
- ....



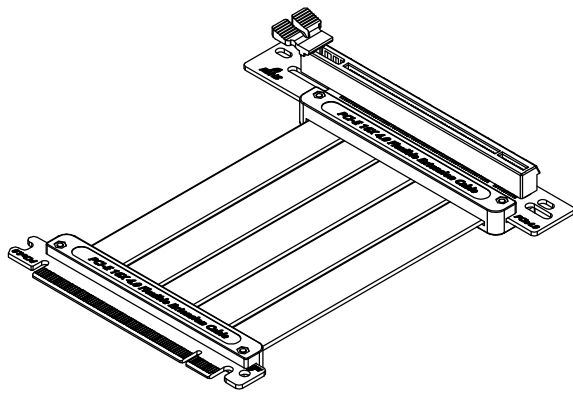
TOLERANCE	
LINEAR	ANGLES
X.±0.40	X'±
.X±0.30	.X'±
.XX±0.20	.XX'±
.XXX±0.10	.XXX'±

**UMax conn** 东莞市友贸实业有限公司  
DONGGUAN UMAX ENTERPRISE LIMITED

APPD: Jason    MAT'L:  
CHKD: Schumi    FINISH:  
DRWN: Lei Songping    Q'TY:

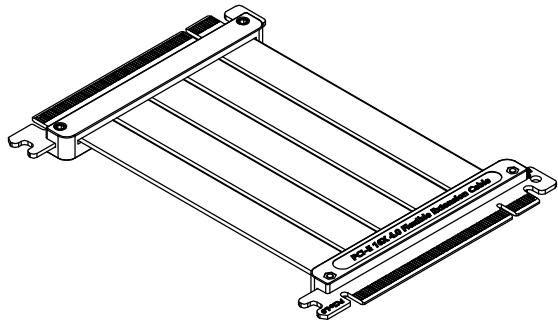
TITLE: PCI EXPRESS CABLE ASSEMBLY			
PART NO. PCIE-XX-XXX-XXXX-XX-2218		DWG NO. C-PCIE221200218	
UNITS	SCALE	SHEET	REV
MM	1 : 2	1 OF 2	A0

REV	ECN NO.	NAME	DATE



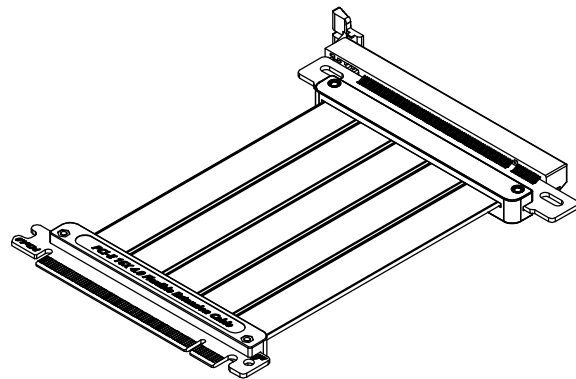
EM: EC TO EM  
EM CONN : 91621

PCIE-XX-XXX-XXXX-EM-2190



EC: EC TO EC

PCIE-XX-XXX-XXXX-EC-0018



EM: EC TO EM  
EM CONN : 91622

PCIE-XX-XXX-XXXX-EM-2218

# WIRE DIAGRAM

SIDE B		SIDE A	
NAME	DESCRIPTION	NAME	DESCRIPTION
1	+12V 12 V power	PRSENT#	Hot-plug detect
2	+12V 12 V power	+12V	12 V power
3	+12V 12 V power	+12V	12 V power
4	GND GROUND	GND	GROUND
5	SMCLK SM Bus Clock	JTAG2	TCK (test clock)
6	SMDATA SM Bus Data	JTAG3	TDI (test input data)
7	GND GROUND	JTAG4	TDO (test data output)
8	+3.3V 3.3 V power	JTAG5	TMS (test mode select)
9	JTAG1 TRST# (test reset)	+3.3V	3.3 V power
10	+3.3V aux 3.3 V aux power	+3.3V	3.3 V power
11	WAKE# Signal for link	PERS#	Fundamental reset

MECHANICAL KEY			
12	RSVD RESERVED	GND	GROUND
13	GND GROUND	REFCLK+	Reference clock
14	PETp0 Transmitter, DP	REFCLK-	Diff pair
15	PETn0 LANE 0	GND	GROUND
16	GND GROUND	PERp0	Receiver, DP
17	PRSENT# Hot-plug detect	PERn0	LANE 0
18	GND GROUND	GND	GROUND

END OF X1 CONNECTOR			
19	PETp1 Transmitter, DP	RSVD RESERVED	
20	PETn1 LANE 1	GND	GROUND
21	GND GROUND	PERp1	Receiver, DP
22	GND GROUND	PERn1	LANE 1
23	PETp2 Transmitter, DP	GND	GROUND
24	PETn2 LANE 2	GND	GROUND
25	GND GROUND	PERp2	Receiver, DP
26	GND GROUND	PERn2	LANE 2
27	PETp3 Transmitter, DP	GND	GROUND
28	PETn3 LANE 3	GND	GROUND
29	GND GROUND	PERp3	Receiver, DP
30	RSVD RESERVED	PERn3	LANE 3
31	PRSENT# Hot-plug detect	GND	GROUND
32	GND GROUND	RSVD RESERVED	

END OF X4 CONNECTOR			
33	PETp4 Transmitter, DP	RSVD RESERVED	
34	PETn4 LANE 4	GND	GROUND
35	GND GROUND	PERp4	Receiver, DP
36	GND GROUND	PERn4	LANE 4
37	PETp5 Transmitter, DP	GND	GROUND
38	PETn5 LANE 5	GND	GROUND
39	GND GROUND	PERp5	Receiver, DP
40	GND GROUND	PERn5	LANE 5
41	PETp6 Transmitter, DP	GND	GROUND
42	PETn6 LANE 6	GND	GROUND
43	GND GROUND	PERp6	Receiver, DP
44	GND GROUND	PERn6	LANE 6
45	PETp7 Transmitter, DP	GND	GROUND
46	PETn7 LANE 7	GND	GROUND
47	GND GROUND	PERp7	Receiver, DP
48	PRSENT# Hot-plug detect	PERn7	LANE 7
49	GND GROUND	GND	GROUND

END OF X16 CONNECTOR			
50	PETp8 Transmitter, DP	RSVD RESERVED	
51	PETn8 LANE 8	GND	GROUND
52	GND GROUND	PERp8	Receiver, DP
53	GND GROUND	PERn8	LANE 8
54	PETp9 Transmitter, DP	GND	GROUND
55	PETn9 LANE 9	GND	GROUND
56	GND GROUND	PERp9	Receiver, DP
57	GND GROUND	PERn9	LANE 9
58	PETp10 Transmitter, DP	GND	GROUND
59	PETn10 LANE 10	GND	GROUND
60	GND GROUND	PERp10	Receiver, DP
61	GND GROUND	PERn10	LANE 10
62	PETp11 Transmitter, DP	GND	GROUND
63	PETn11 LANE 11	GND	GROUND
64	GND GROUND	PERp11	Receiver, DP
65	GND GROUND	PERn11	LANE 11
66	PETp12 Transmitter, DP	GND	GROUND
67	PETn12 LANE 12	GND	GROUND
68	GND GROUND	PERp12	Receiver, DP
69	GND GROUND	PERn12	LANE 12
70	PETp13 Transmitter, DP	GND	GROUND
71	PETn13 LANE 13	GND	GROUND
72	GND GROUND	PERp13	Receiver, DP
73	GND GROUND	PERn13	LANE 13
74	PETp14 Transmitter, DP	GND	GROUND
75	PETn14 LANE 14	GND	GROUND
76	GND GROUND	PERp14	Receiver, DP
77	GND GROUND	PERn14	LANE 14
78	PETp15 Transmitter, DP	GND	GROUND
79	PETn15 LANE 15	GND	GROUND
80	GND GROUND	PERp15	Receiver, DP
81	PRSENT# Hot-plug detect	PERn15	LANE 15
82	RSVD RESERVED	GND	GROUND

TOLERANCE	
LINEAR	ANGLES
X.±0.40	X'±
.X±0.30	.X'±
.XX±0.20	.XX'±
.XXX±0.10	.XXX'±

**UMax conn** 东莞市友贸实业有限公司  
DONGGUAN UMAY ENTERPRISE LIMITED

C:\Users\Wang\Desktop\2017\82#7\pcie-xx-xxx-xx-xx-xx-mk-3-2.jpg

APPD: Jason      MAT'L:

CHKD: Schumi      FINISH:

DRWN: Lei Songping      Q'TY:

TITLE: PCI EXPRESS CABLE ASSEMBLY

PART NO. PCIE-XX-XXX-XXXX-XX-2218

DWG NO. C-PCIE221200218

UNITS	SCALE	SHEET	REV
MM	1 : 2	2 OF 2	A0

REV	ECN NO.	NAME	DATE

## X-ON Electronics

Largest Supplier of Electrical and Electronic Components

*Click to view similar products for [FFC / FPC Jumper Cables](#) category:*

*Click to view products by [UMAX](#) manufacturer:*

Other Similar products are found below :

[8-1474659-7](#) [FSK-21.5A-20](#) [FSK-23A](#) [FSN-14.5A-6](#) [1474494-5](#) [1557385-1](#) [2-1437211-4](#) [2-6447164-4](#) [1-6437133-3](#) [FSK-21A](#) [FSN-21.5A-32](#) [FSN-24A](#) [2-1437181-9](#) [4-1437186-9](#) [4-1474659-8](#) [5-1474654-9](#) [6-6437158-0](#) [1474544-1](#) [7-6474640-3](#) [8-1474644-8](#) [FSK-22Z-12](#) [1437190-1](#) [2-6437158-6](#) [3-1437213-7](#) [FSK-11.25A-40](#) [FSN-11A-10](#) [FSP-22A](#) [FST-41B-5](#) [1-1437203-7](#) [6447164-6](#) [1474678-7](#) [3-1437219-8](#) [FSK-11.1A-40](#) [FSN-11.5A-3](#) [1437219-2](#) [05-001-152FB](#) [05-001.5-152FB](#) [7-1437166-1](#) [5-1474677-4](#) [3-1447175-2](#) [4-6447189-2](#) [15020-1538](#) [FSK-21.3A-25](#) [07-004.5-172-P](#) [JS05B-12P-030-3-4](#) [JS05A-16P-080-4-8](#) [JS05A-12P-050-3-4](#) [JS05A-16P-100-3-4](#) [JS05A-12P-100-3-4](#) [JS05A-12P-030-3-4](#)