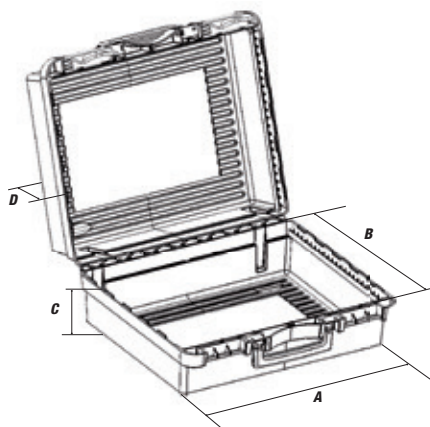


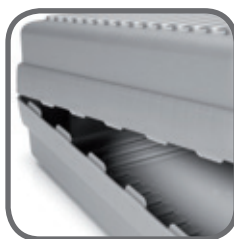
# PROCASE SERIES



- Solide/compatte
  - Doppia maniglia quindi superiore tenuta
  - Maniglie basculanti salva spazio
  - Cerniera in metallo
  - Serrature professionali
  - L'interno squadrato della valigia permette di ottimizzare le personalizzazioni
  - Predisposizione lucchetto
  - Materiale: polipropilene
- Durable
  - Two handles for greater carrying capacity
  - Space saving foldaway handle
  - Metal hinges
  - Secure clips
  - The squared shape inside allows the inside to be easily customized
  - Designed for a lock to be used on it
  - Material: polypropylene



Spugne bugnate (GPB)  
Convulsed foams (GPB)



\*= mm.  
( )= inch.

Dimensioni interne Internal dimensions	A	B	C	D	Colori disponibili Colours available	Colori accessori Clip/handle colours
<b>Art. 170/34H96</b>	324* (12.76)	251* (9.88)	43.5* (1.71)	43.5* (1.71)	<input type="checkbox"/>	<input type="checkbox"/>
<b>Art. 170/34H128</b>	320* (12.60)	247* (9.72)	75* (2.95)	43.5* (1.71)	<input type="checkbox"/>	<input type="checkbox"/>
<b>Art. 170/34H160</b>	320* (12.60)	247* (9.72)	75* (2.95)	75* (2.95)	<input type="checkbox"/>	<input type="checkbox"/>
<b>Art. 170/43H122</b>	406* (15.98)	290* (11.42)	55* (2.16)	55* (2.16)	<input type="checkbox"/>	<input type="checkbox"/>
<b>Art. 170/43H156</b>	402* (15.83)	287* (11.30)	89.5* (3.52)	55* (2.16)	<input type="checkbox"/>	<input type="checkbox"/>
<b>Art. 170/43H190</b>	402* (15.83)	287* (11.30)	89.5* (3.52)	89.5* (3.52)	<input type="checkbox"/>	<input type="checkbox"/>
<b>Art. 170/48H132</b>	460* (18.11)	325* (12.79)	60* (2.36)	60* (2.36)	<input checked="" type="checkbox"/> <input type="checkbox"/>	<input type="checkbox"/>
<b>Art. 170/48H160</b>	460* (18.11)	325* (12.79)	85* (3.35)	60* (2.36)	<input checked="" type="checkbox"/> <input type="checkbox"/>	<input type="checkbox"/>
<b>Art. 170/48H184</b>	460* (18.11)	325* (12.79)	85* (3.35)	85* (3.35)	<input checked="" type="checkbox"/> <input type="checkbox"/>	<input type="checkbox"/>
<b>Art. 170/60H144</b>	575* (22.64)	355* (13.98)	66* (2.60)	66* (2.60)	<input type="checkbox"/>	<input type="checkbox"/>
<b>Art. 170/60H184</b>	575* (22.64)	355* (13.98)	106* (4.17)	66* (2.60)	<input type="checkbox"/>	<input type="checkbox"/>
<b>Art. 170/60H224</b>	575* (22.64)	355* (13.98)	106* (4.17)	106* (4.17)	<input type="checkbox"/>	<input type="checkbox"/>
<b>Art. 170/48H184F</b>	460* (18.11)	325* (12.79)	85* (3.35)	45* (1.77)	<input checked="" type="checkbox"/>	<input type="checkbox"/>
<b>Art. 170/48H184PU</b>	460* (18.11)	325* (12.79)	85* (3.35)	85* (3.35)	<input checked="" type="checkbox"/> <input type="checkbox"/>	<input type="checkbox"/>

## **X-ON Electronics**

Largest Supplier of Electrical and Electronic Components

*Click to view similar products for [unbranded manufacturer](#):*

Other Similar products are found below :

[BL200H](#) [396.357](#) [AC-9](#) [MODEL 1000](#) [MPT-251](#) [20844](#) [BP00001/36 ROLLS](#) [62845](#) [A1319](#) [MA0510BIM-3PIN](#) [HT-328](#) [OL1000](#) [JR9235-1M BLUE](#) [195.303](#) [SB344](#) [JR9021-2M](#) [029-1039](#) [F2](#) [WATERPROOF CASE 24"](#) [CS-47](#) [MA0410B1M](#) [10HA084](#) [26.514.5026.50](#) [JR9235-1.5M RED](#) [029-0058](#) [KLEIN TOOLS SCREWDRIVER 4-IN-1](#) [JR9235-1M YELLOW](#) [S2G](#) [029-1044](#) [JR9235-0.5M YELLOW](#) [199.370](#) [JR9235-0.5M BLUE](#) [WATERPROOF CASE 10.5"](#) [JR9235-0.5M GREEN](#) [WATERPROOF CASE 18"](#) [JR9235-1M RED](#) [029-0054](#) [JR9235-1M BLACK](#) [JR8001/0.5M BLACK](#) [JR9235-0.5M RED](#) [029-1022](#) [15X24X24" SQUARE BIN LINERS, 200 PER BOX](#)