

3-Pin Microprocessor Reset Circuits

UM803 SOT323/SOT23-3

General Description

The UM803 is a microprocessor (μP) supervisory circuit used to monitor the power supplies in μP and digital systems. It provides excellent circuit reliability and low cost by eliminating external components and adjustments when used with +5V, +3.3V, +3.0V or +2.5V powered circuits.

The circuit performs a single function: it asserts a reset signal whenever the V_{CC} supply voltage declines below a preset threshold, keeping it asserted for at least 140ms after V_{CC} has risen above the reset threshold. Reset thresholds suitable for operation with a variety of supply voltages are available.

The UM803 has an open-drain output stage. The UM803's open-drain $\overline{\text{RESET}}$ output requires a pull-up resistor that can be connected to a voltage higher than V_{CC} . The UM803 has an active-low $\overline{\text{RESET}}$ output. The reset comparator is designed to ignore fast transients on V_{CC} , and the outputs are guaranteed to be in the correct logic state for V_{CC} down to 1V.

Low supply current makes the UM803 ideal for use in portable equipment. The UM803 is available in a 3-pin SOT323 and SOT23 package.

Applications

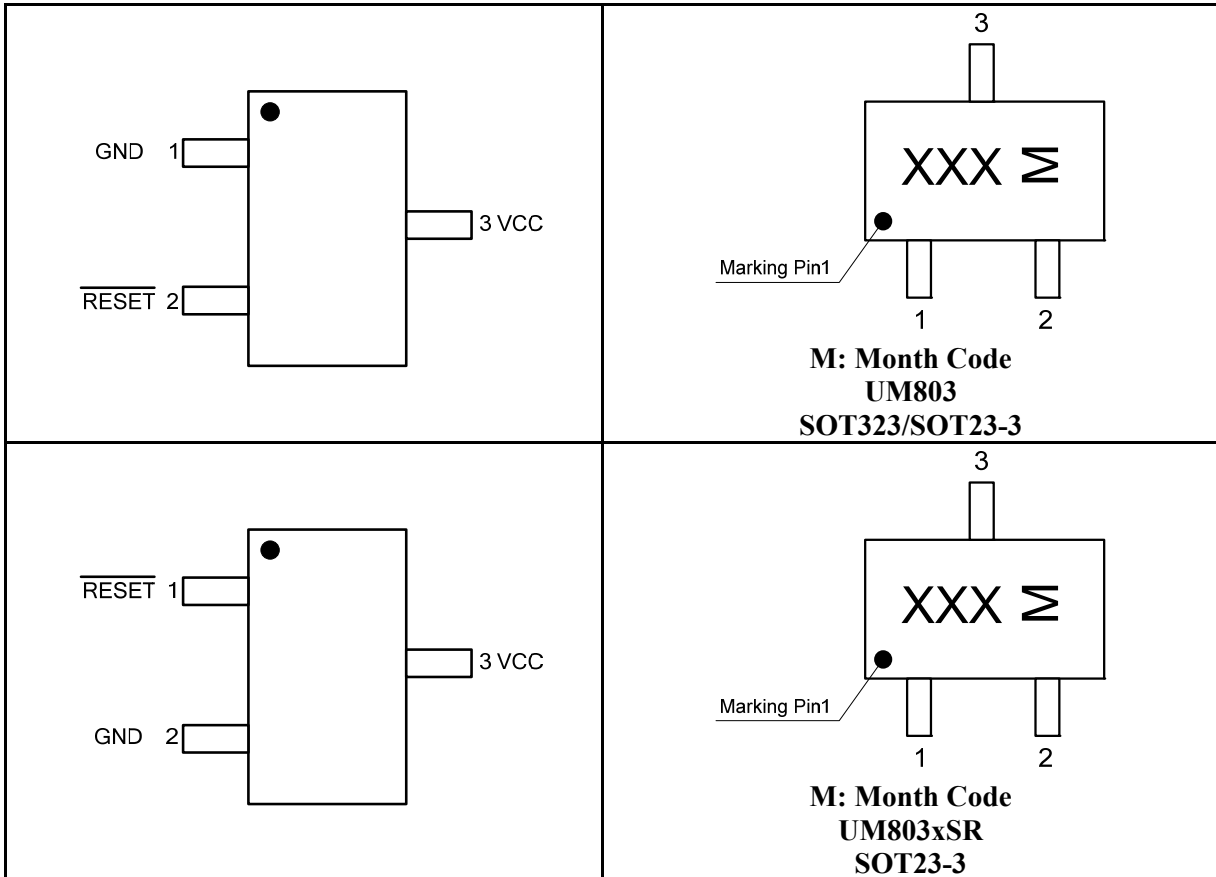
- Computers
- Controllers
- Portable/Battery-Powered Equipments
- Intelligent Instruments
- Critical μP and μC Power Monitoring
- Automotive

Features

- No External Components
- Power Supply Transient Immunity
- Guaranteed Reset Valid to $V_{\text{CC}}=+1\text{V}$
- Precision V_{CC} Monitoring of +2.5V, +3V, +3.3V and +5V Supplies
- Fully Specified Over Temperature
- 2 μA Supply Current
- 140ms Minimum Power-On Reset Pulse Width
- Available in One Output Configuration:
Open-Drain Active-Low $\overline{\text{RESET}}$ Output
- 3-Pin SOT323 and SOT23 Packages
- Wide Operation Temperature: -40°C to +85°C

Pin Configurations

Top View



Ordering Information

UM8 XX Z P

XX: Output Type

=03 Open-Drain Active Low

Z: Reset Threshold (V)

=L 4.63

=M 4.38

=J 4.00

=T 3.08

=S 2.93

=R 2.63

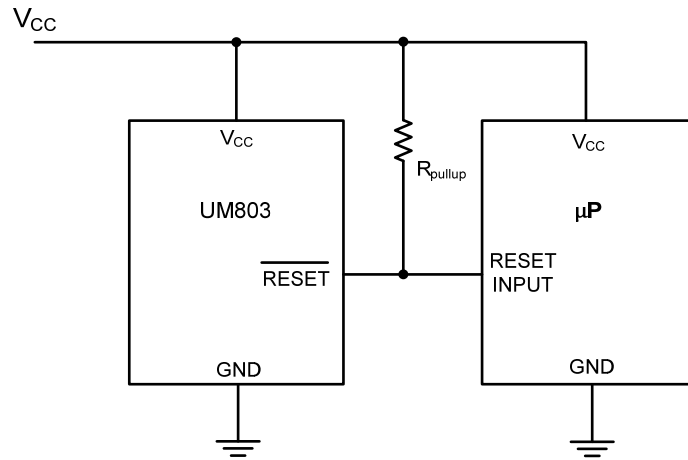
=Z 2.32

P: Package Type

=S SOT23-3

=P SOT323

Typical Operating Circuit



Pin Description

Pin Name	Function
GND	Ground
$\overline{\text{RESET}}$	$\overline{\text{RESET}}$ Output remains low while V _{CC} is below the reset threshold, and for at least 140ms after V _{CC} rises above the reset threshold.
V _{CC}	+5V, +3.3V, +3V or +2.5V Supply Voltage

Absolute Maximum Ratings (Note 1)

Symbol	Parameter		Value	Unit
V _{CC}	Supply Voltage		-0.3 to +6.0	V
	$\overline{\text{RESET}}$		-0.3 to +6.0	
I _{CC}	Input Current, V _{CC}		20	mA
I _O	Output Current, $\overline{\text{RESET}}$		20	mA
	Rate of Rise, V _{CC}		100	V/ μ s
P _D	Continuous Power Dissipation	SOT323 (Derate 2.17mW/ $^{\circ}$ C above 70 $^{\circ}$ C)	174	mW
		SOT23-3 (Derate 4mW/ $^{\circ}$ C above 70 $^{\circ}$ C)	320	
T _A	Operating Temperature Range	SOT323	-40 to +125	$^{\circ}$ C
		SOT23-3	-40 to +105	
T _{STG}	Storage Temperature Range		-65 to +150	$^{\circ}$ C
	Lead Temperature (Soldering, 10s)		+300	$^{\circ}$ C

Note 1: Stresses beyond those listed under “Absolute maximum Ratings” may cause permanent damage to the device. These are stress ratings only and functional operation of the device at these or any other conditions beyond those indicated in the operational sections of the specifications are not implied. Exposure to absolute maximum rating conditions for extended periods may affect device reliability.

Electrical Characteristics

($V_{CC}=5V$ for L/M/J versions, $V_{CC}=3.3V$ for T/S versions, $V_{CC}=3V$ for R version, and $V_{CC}=2.5V$ for Z version, $T_A=-40^{\circ}C$ to $+85^{\circ}C$, unless otherwise noted. Typical values are at $T_A=+25^{\circ}C$.) (Note 2)

Symbol	Parameter	Conditions	Min	Typ	Max	Unit	
V_{CC}	Supply Voltage Range	$T_A=0^{\circ}C$ to $+70^{\circ}C$	1.0		5.5	V	
I_{CC}	Supply Current			2.0		μA	
V_{TH}	Reset Threshold	L Version	$T_A=+25^{\circ}C$	4.56	4.63	4.70	V
			$T_A=-40^{\circ}C$ to $+85^{\circ}C$	4.50		4.75	
		M Version	$T_A=+25^{\circ}C$	4.31	4.38	4.45	
			$T_A=-40^{\circ}C$ to $+85^{\circ}C$	4.25		4.50	
		J Version	$T_A=+25^{\circ}C$	3.93	4.00	4.06	
			$T_A=-40^{\circ}C$ to $+85^{\circ}C$	3.89		4.10	
		T Version	$T_A=+25^{\circ}C$	3.04	3.08	3.11	
			$T_A=-40^{\circ}C$ to $+85^{\circ}C$	3.00		3.15	
		S Version	$T_A=+25^{\circ}C$	2.89	2.93	2.96	
			$T_A=-40^{\circ}C$ to $+85^{\circ}C$	2.85		3.00	
		R Version	$T_A=+25^{\circ}C$	2.59	2.63	2.66	
			$T_A=-40^{\circ}C$ to $+85^{\circ}C$	2.55		2.70	
Z Version	$T_A=+25^{\circ}C$	2.28	2.32	2.35			
	$T_A=-40^{\circ}C$ to $+85^{\circ}C$	2.25		2.38			
	Reset Threshold Tempco			150		ppm/ $^{\circ}C$	
	V_{CC} to Reset Delay	$V_{CC}=V_{TH}$ to $(V_{TH}-100mV)$		10		μs	
t_{RP}	Reset Active Timeout Period		140	240	560	ms	
V_{OL}	RESET Output Voltage Low	$V_{CC}=V_{TH}$ min, $I_{SINK}=1.2mA$, UM803T /S /R /Z			0.3	V	
		$V_{CC}=V_{TH}$ min, $I_{SINK}=3.2mA$, UM803L /M /J			0.4		
		$V_{CC}>1.0V$, $I_{SINK}=50\mu A$			0.3		
	RESET Open-Drain Output Leakage Current (Note 3)	$V_{CC}>V_{TH}$, RESET Deasserted			1	μA	

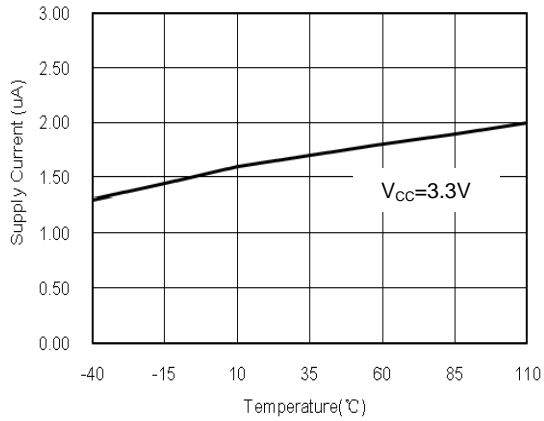
Note 2: Production testing done at $T_A=+25^{\circ}C$; limits over temperature guaranteed by design only.

Note 3: Guaranteed by design, not production tested.

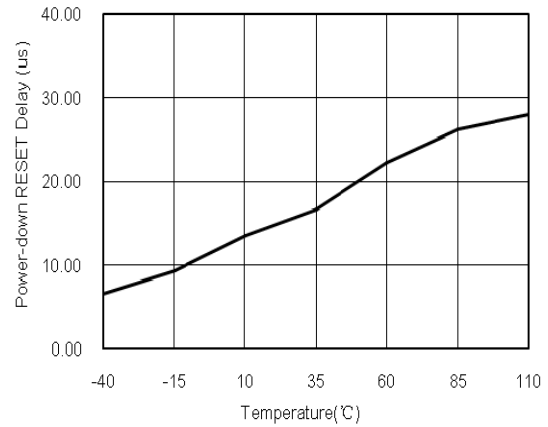
Typical Operating Characteristics

($T_A = +25^\circ\text{C}$, unless otherwise noted.)

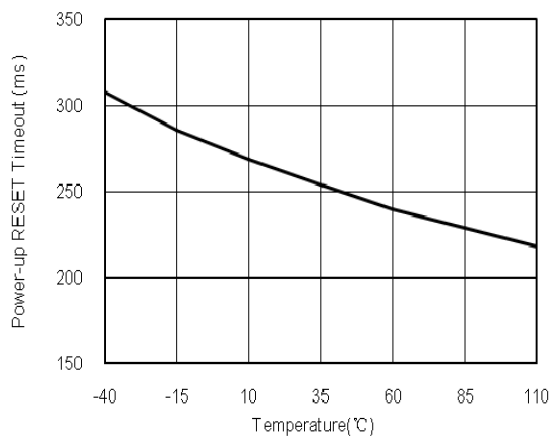
**Supply Current vs. Temperature
(UM803R_)**



**Power-Down RESET Delay vs. Temperature
(UM803R_)**



Power-Up RESET Timeout vs. Temperature



Detailed Description

A microprocessor's (μP 's) reset input starts the μP in a known state. The UM803 asserts reset to prevent code-execution errors during power-up, power-down, or brownout conditions. It asserts a reset signal whenever the V_{CC} supply voltage declines below a preset threshold, keeping it asserted for at least 140ms after V_{CC} has risen above the $\overline{\text{RESET}}$ threshold. The UM803 uses an open-drain output. Connect a pull-up resistor on the UM803's $\overline{\text{RESET}}$ output to any supply between 0 and 6V.

Applications Information

Negative-Going V_{CC} Transient

In addition to issuing a reset to the μP during power-up, power-down, and brownout conditions, the UM803 is relatively immune to short-duration negative-going V_{CC} transients (glitches).

Figure 1 shows typical transient duration vs. reset comparator overdrive, for which the UM803 does not generate a reset pulse. The graph was generated using a negative-going pulse applied to V_{CC} , starting 0.5V above the actual reset threshold and ending below it by the magnitude indicated (reset comparator overdrive). The graph indicates the maximum pulse width a negative-going V_{CC} transient can have without causing a reset pulse. As the magnitude of the transient increases (goes farther below the reset threshold), the maximum allowable pulse width decreases. Typically, for the UM803L_, UM803M_ and UM803J_, a V_{CC} transient that goes 100mV below the reset threshold and lasts 20 μs or less will not cause a reset pulse. A 0.1 μF bypass capacitor mounted as close as possible to the V_{CC} pin provides additional transient immunity.

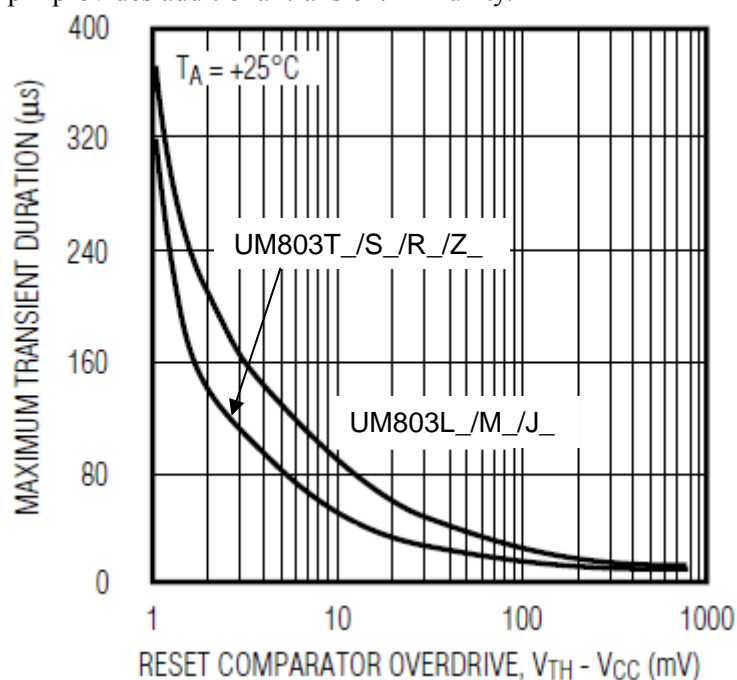


Figure 1. Maximum Transient Duration without Causing a Reset Pulse vs. Reset Comparator Overdrive

Interfacing to μP s with Bidirectional Reset Pins

Since the $\overline{\text{RESET}}$ output on the UM803 is open drain, this device interfaces easily with μP s that have bidirectional reset pins, such as the Motorola 68HC11. Connecting the μP supervisor's $\overline{\text{RESET}}$ output directly to the microcontroller's (μC 's) $\overline{\text{RESET}}$ pin with a single pull-up resistor allows either device to assert reset (Figure 2).

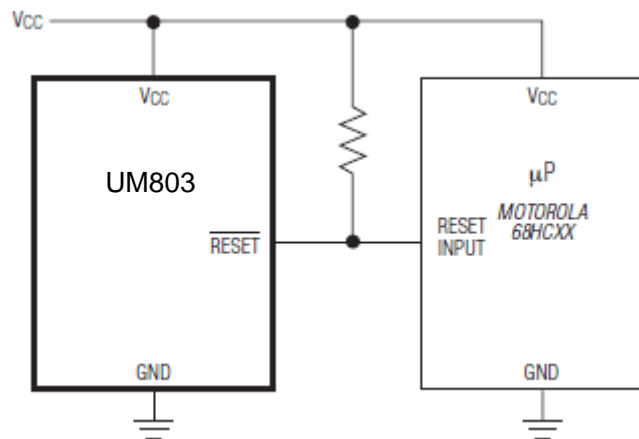


Figure 2. Interfacing to μ Ps with Bidirectional Reset I/O

UM803 Open-Drain $\overline{\text{RESET}}$ Output Allows Use with Multiple Supplies

Generally, the pull-up connected to the UM803 will connect to the supply voltage that is being monitored at the IC's V_{CC} pin. However, some systems may use the open-drain output to level-shift from the monitored supply to reset circuitry powered by some other supply (Figure 3). Note that as the UM803's V_{CC} decreases below 1V, so does the IC's ability to sink current at $\overline{\text{RESET}}$. Also, with any pull-up, $\overline{\text{RESET}}$ will be pulled high as V_{CC} decays toward 0. The voltage where this occurs depends on the pull-up resistor value and the voltage to which it is connected.

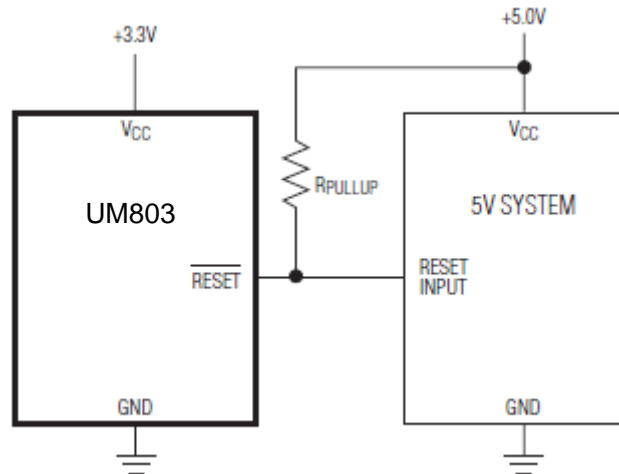


Figure 3. UM803 Open-Drain $\overline{\text{RESET}}$ Output Allows Use with Multiple Supplies

Benefits of Highly Accurate Reset Threshold

Most μ P supervisor circuits have reset threshold voltages between 5% and 10% below the value of nominal supply voltages. This ensures a reset will not occur within 5% of the nominal supply, but will occur when the supply is 10% below nominal.

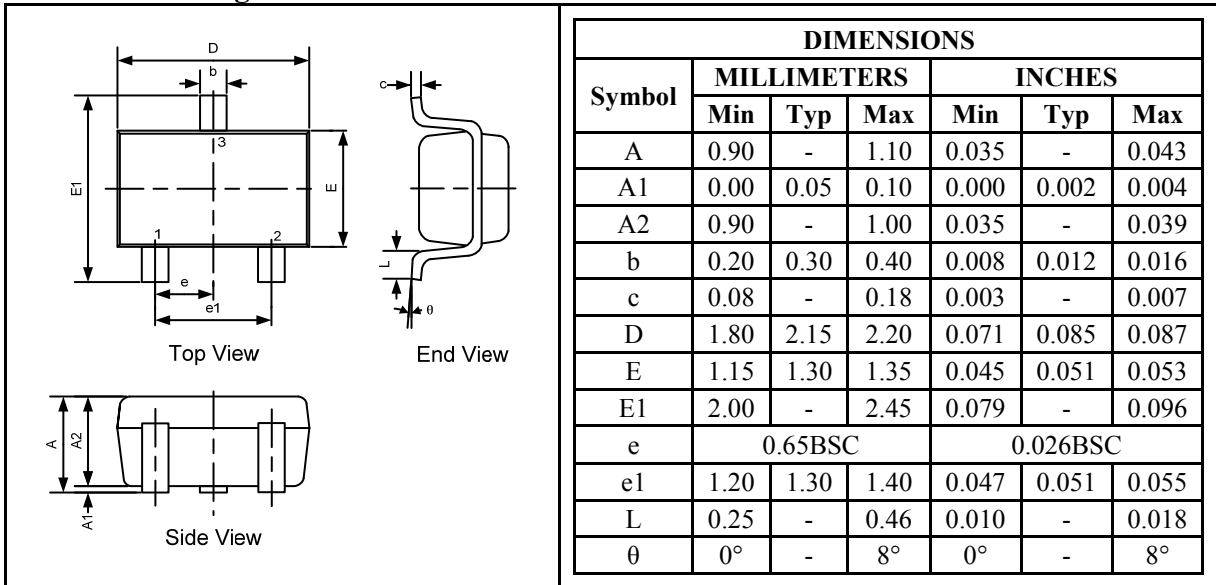
When using ICs rated at only the nominal supply $\pm 5\%$, this leaves a zone of uncertainty where the supply is between 5% and 10% low, and where the reset may or may not be asserted.

The UM803L_/T_/Z_ use highly accurate circuitry to ensure that reset is asserted close to the 5% limit, and long before the supply has declined to 10% below nominal.

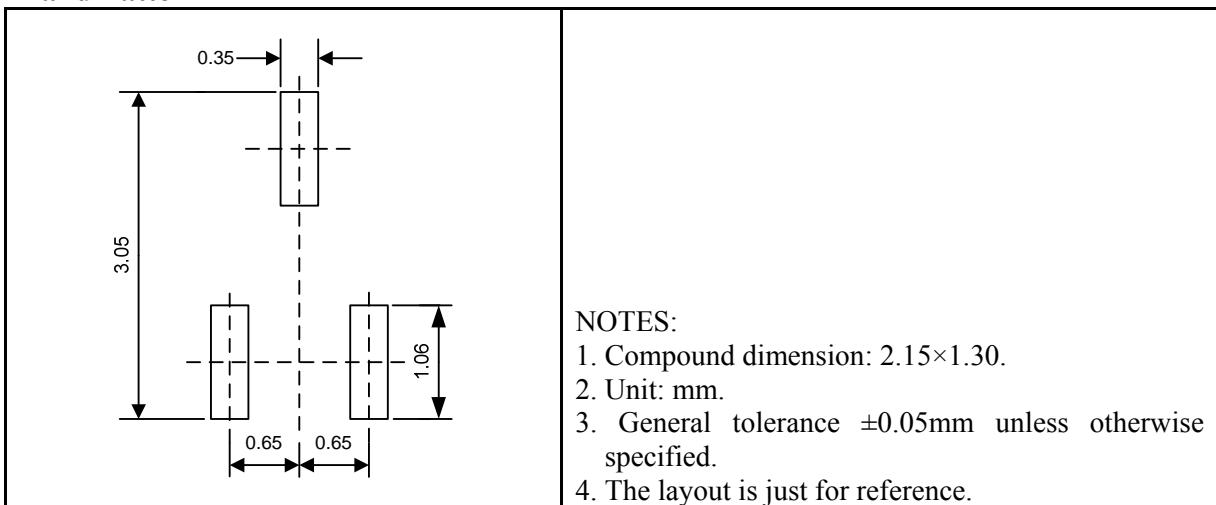
Package Information

UM803 SOT323

Outline Drawing



Land Pattern

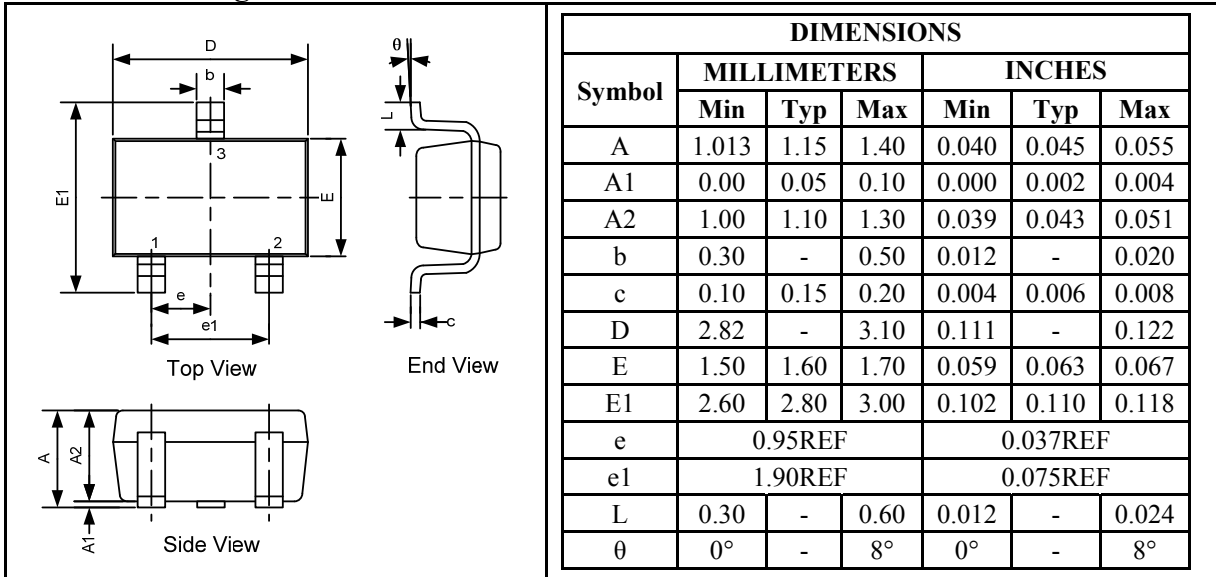


Tape and Reel Orientation

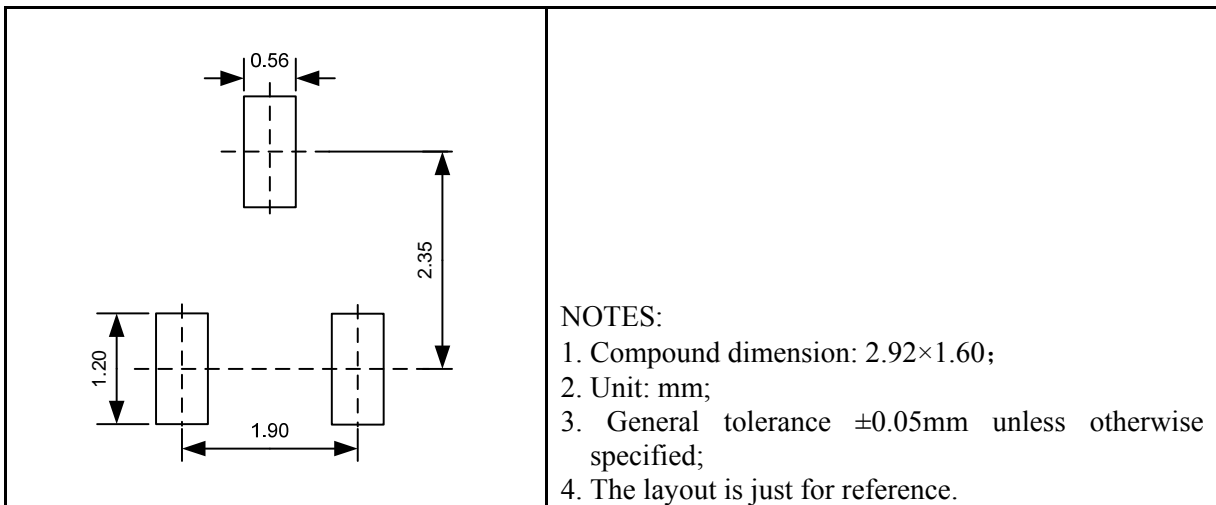


UM803 SOT23-3

Outline Drawing



Land Pattern



Tape and Reel Orientation



Selection Table

Part Number	RESET Threshold (V)	Timeout Period (ms)	Output Type	Marking Code	Package Type	Shipping Qty
UM803LP	4.63	240	Open-Drain, Active Low	VLE	SOT323	3000pcs/7Inch Tape & Reel
UM803MP	4.38	240	Open-Drain, Active Low	VME		
UM803JP	4.00	240	Open-Drain, Active Low	VJE		
UM803TP	3.08	240	Open-Drain, Active Low	VTE		
UM803SP	2.93	240	Open-Drain, Active Low	VSE		
UM803RP	2.63	240	Open-Drain, Active Low	VRE		
UM803ZP	2.32	240	Open-Drain, Active Low	VZE		
UM803LS	4.63	240	Open-Drain, Active Low	03L	SOT23-3	3000pcs/7Inch Tape & Reel
UM803MS	4.38	240	Open-Drain, Active Low	03M		
UM803JS	4.00	240	Open-Drain, Active Low	03J		
UM803TS	3.08	240	Open-Drain, Active Low	03T		
UM803SS	2.93	240	Open-Drain, Active Low	03S		
UM803RS	2.63	240	Open-Drain, Active Low	03R		
UM803ZS	2.32	240	Open-Drain, Active Low	03Z		
UM803LSR	4.63	240	Open-Drain, Active Low	3LR	SOT23-3	3000pcs/7Inch Tape & Reel
UM803MSR	4.38	240	Open-Drain, Active Low	3MR		
UM803JSR	4.00	240	Open-Drain, Active Low	3JR		
UM803TSR	3.08	240	Open-Drain, Active Low	3TR		
UM803SSR	2.93	240	Open-Drain, Active Low	3SR		
UM803RSR	2.63	240	Open-Drain, Active Low	3RR		
UM803ZSR	2.32	240	Open-Drain, Active Low	3ZR		

GREEN COMPLIANCE

Union Semiconductor is committed to environmental excellence in all aspects of its operations including meeting or exceeding regulatory requirements with respect to the use of hazardous substances. Numerous successful programs have been implemented to reduce the use of hazardous substances and/or emissions.

All Union components are compliant with the RoHS directive, which helps to support customers in their compliance with environmental directives. For more green compliance information, please visit:

http://www.union-ic.com/index.aspx?cat_code=RoHSDeclaration

IMPORTANT NOTICE

The information in this document has been carefully reviewed and is believed to be accurate. Nonetheless, this document is subject to change without notice. Union assumes no responsibility for any inaccuracies that may be contained in this document, and makes no commitment to update or to keep current the contained information, or to notify a person or organization of any update. Union reserves the right to make changes, at any time, in order to improve reliability, function or design and to attempt to supply the best product possible.



Union Semiconductor, Inc

Add: Unit 606, No.570 Shengxia Road, Shanghai 201210

Tel: 021-51093966

Fax: 021-51026018

Website: www.union-ic.com

X-ON Electronics

Largest Supplier of Electrical and Electronic Components

Click to view similar products for [Supervisory Circuits](#) category:

Click to view products by [Union](#) manufacturer:

Other Similar products are found below :

[CAT1161LI-25-G](#) [CAT853STBI-T3](#) [DS1232L](#) [NCV302HSN45T1G](#) [STM6710FWB7F](#) [S-1000N28-I4T1U](#) [S-1000N23-I4T1U](#) [S-1000N19-I4T1U](#) [PT7M6133NLTA3EX](#) [PT7M6127NLTA3EX](#) [ISL88011IH526Z-TK](#) [ISL88013IH529Z-TK](#) [ISL88705IP846Z](#) [ISL88706IP831Z](#) [ISL88708IB844Z](#) [ISL88708IP831Z](#) [TCM811MERCCTR](#) [X40420S14-A](#) [X40421S14-C](#) [X40430S14-A](#) [X40430S14I-A](#) [X40430S14I-B](#) [X40431S14-A](#) [X40431S14-B](#) [X40431S14-C](#) [X40431S14I-A](#) [X40431S14I-B](#) [X40431S14I-C](#) [X4043P-2.7](#) [X4043PI-2.7](#) [X4043S8-2.7T1](#) [X4043S8IZ-2.7](#) [X4043S8IZT1](#) [X4043S8T1](#) [X4045P](#) [X4045PI](#) [X4045PI-2.7](#) [X4045S8-2.7T1](#) [X4045S8IZ](#) [X4045S8T1](#) [X4163P](#) [X4163P-2.7](#) [X4163PI](#) [X4163PI-2.7](#) [X4163S8](#) [X4165P](#) [X4165P-2.7](#) [X4165PI](#) [X4165PI-2.7](#) [X4165S8I-2.7](#)