



18N25

Power MOSFET

18A, 250V N-CHANNEL POWER MOSFET

DESCRIPTION

The UTC **18N25** is a N-channel enhancement mode power MOSFET using UTC's advanced planar stripe and DMOS technology to provide perfect performance.

This technology can withstand high energy pulse in the avalanche and commutation mode. It can provide minimum on-state resistance and high switching speed.

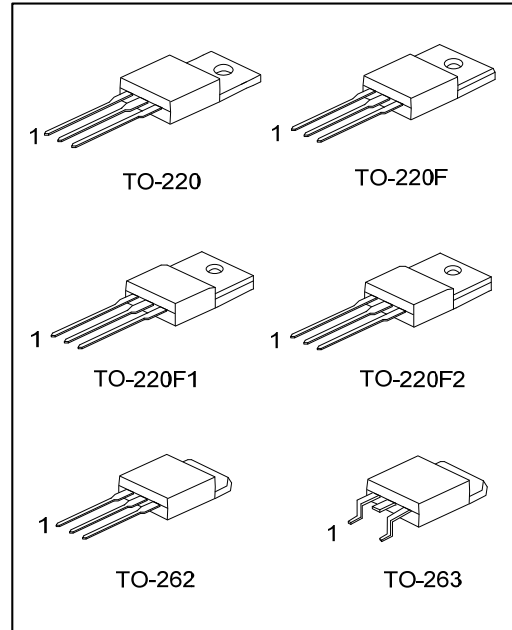
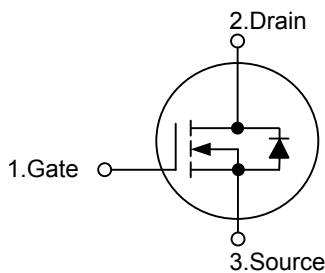
This device is generally applied in active power factor correction and high efficient switched mode power supplies.

FEATURES

* $R_{DS(ON)} < 0.24 \Omega @ V_{GS}=10V, I_D=9.0A$

* High switching speed

SYMBOL



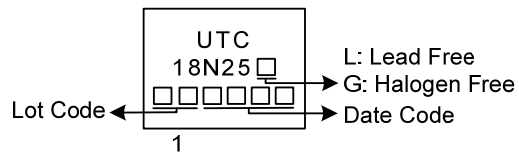
ORDERING INFORMATION

Ordering Number		Package	Pin Assignment			Packing
Lead Free	Halogen Free		1	2	3	
18N25L-TA3-T	18N25G-TA3-T	TO-220	G	D	S	Tube
18N25L-TF1-T	18N25G-TF1-T	TO-220F1	G	D	S	Tube
18N25L-TF2-T	18N25G-TF2-T	TO-220F2	G	D	S	Tube
18N25L-TF3-T	18N25G-TF3-T	TO-220F	G	D	S	Tube
18N25L-T2Q-T	18N25G-T2Q-T	TO-262	G	C	E	Tube
18N25L-TQ2-T	18N25G-TQ2-T	TO-263	G	D	S	Tube
18N25L-TQ2-R	18N25G-TQ2-R	TO-263	G	D	S	Tape Reel

Note: Pin Assignment: G: Gate D: Drain S: Source

<p>18N25G-TA3-T</p> <p>(1)Packing Type</p> <p>(2)Package Type</p> <p>(3)Green Package</p>	<p>(1) T: Tube, R: Tape Reel</p> <p>(2) TA3: TO-220, TF1: TO-220F1, TF2: TO-220F2, TF3: TO-220F, TN3: TO-252, T2Q: TO-262, TQ2: TO-263</p> <p>(3) G: Halogen Free and Lead Free, L: Lead Free</p>
---	---

■ MARKING



■ ABSOLUTE MAXIMUM RATINGS ($T_C=25^\circ\text{C}$, unless otherwise specified)

PARAMETER		SYMBOL	RATINGS	UNIT	
Drain to Source Voltage		V_{DSS}	250	V	
Gate to Source Voltage		V_{GSS}	± 20	V	
Drain Current	Continuous	I_D	18	A	
	Pulsed (Note 2)	I_{DM}	36	A	
Avalanche Energy		Single Pulsed (Note 3)	E_{AS}	560	mJ
Power Dissipation	TO-220	P_D	102	W	
	TO-220F/TO-220F1		36	W	
	TO-220F2		110	$^\circ\text{C}$	
	TO-262/TO-263				
Junction Temperature		T_J	+150	$^\circ\text{C}$	
Storage Temperature		T_{STG}	-55 ~ +150	$^\circ\text{C}$	

Notes: 1. Absolute maximum ratings are those values beyond which the device could be permanently damaged.

Absolute maximum ratings are stress ratings only and functional device operation is not implied.

2. Repetitive Rating : Pulse width limited by maximum junction temperature.

3. $L=10\text{mH}$, $I_{AS}=10.6\text{A}$, $V_{DD}=50\text{V}$, $R_G=25\Omega$, Starting $T_J = 25^\circ\text{C}$

■ THERMAL DATA

PARAMETER		SYMBOL	RATINGS	UNIT
Junction to Ambient		θ_{JA}	62.5	$^\circ\text{C/W}$
Junction to Case	TO-220	θ_{JC}	1.23	$^\circ\text{C/W}$
	TO-220F/TO-220F1		3.47	$^\circ\text{C/W}$
	TO-220F2		1.14	$^\circ\text{C/W}$
	TO-262/TO-263			

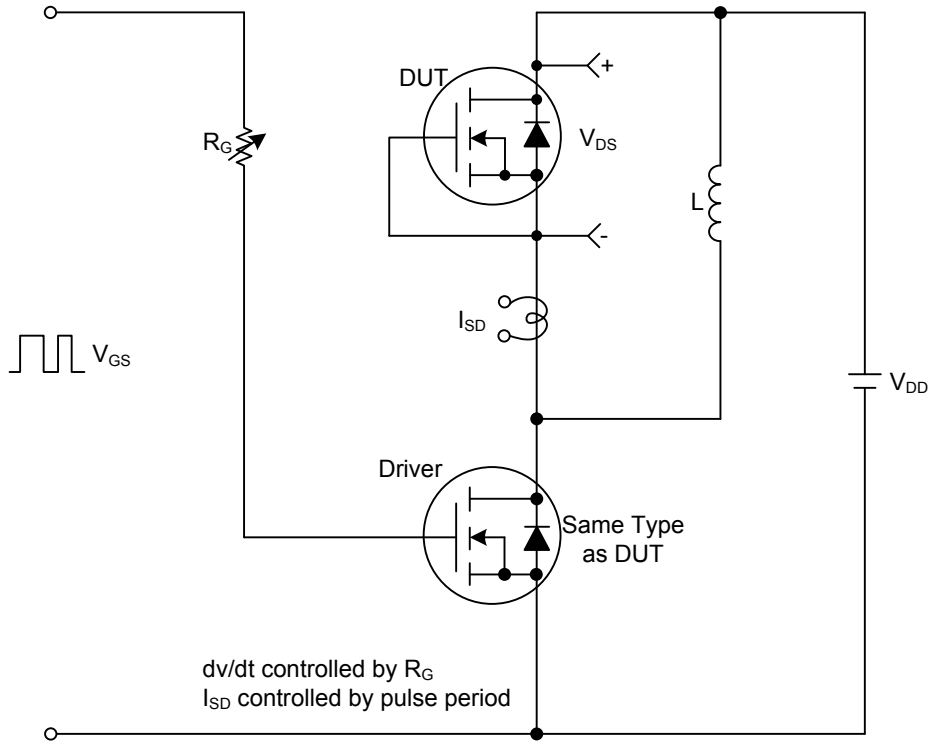
■ ELECTRICAL CHARACTERISTICS (T_c=25°C, unless otherwise specified)

PARAMETER	SYMBOL	TEST CONDITIONS	MIN	TYP	MAX	UNIT
OFF CHARACTERISTICS						
Drain-Source Breakdown Voltage	BV _{DSS}	V _{GS} =0V, I _D =250μA	250			V
Drain-Source Leakage Current	I _{DSS}	V _{DS} =250V, V _{GS} =0V			10	μA
Gate-Source Leakage Current	Forward	V _{GS} =20V, V _{DS} = 0V V _{GS} = -20V, V _{DS} = 0V			100	nA
	Reverse				-100	
ON CHARACTERISTICS						
Gate Threshold Voltage	V _{GS(TH)}	V _{DS} =V _{GS} , I _D =250μA	2.0		4.0	V
Drain-Source On-State Resistance	R _{DS(ON)}	V _{GS} =10V, I _D =9.0A		0.16	0.24	Ω
DYNAMIC PARAMETERS						
Input Capacitance	C _{ISS}	V _{DS} =25V, V _{GS} =0V, f=1.0MHz		1320		pF
Output Capacitance	C _{OSS}			200		pF
Reverse Transfer Capacitance	C _{RSS}			24		pF
SWITCHING PARAMETERS						
Total Gate Charge	Q _G	V _{DS} =100V, V _{GS} =10V, I _D =18A (Note 1,2)		32		nC
Gate-Source Charge	Q _{GS}			11		nC
Gate-Drain Charge	Q _{GD}			9		nC
Turn-ON Delay Time	t _{D(ON)}	V _{DD} =100V, I _D =18A, R _G =25Ω (Note 1,2)		21		ns
Turn-ON Rise Time	t _R			22		ns
Turn-OFF Delay Time	t _{D(OFF)}			85		ns
Turn-OFF Fall Time	t _F			25		ns
SOURCE- DRAIN DIODE RATINGS AND CHARACTERISTICS						
Maximum Body-Diode Continuous Current	I _S				18	A
Maximum Body-Diode Pulsed Current	I _{SM}				36	A
Drain-Source Diode Forward Voltage	V _{SD}	I _S =18A, V _{GS} =0V			1.4	V
Reverse Recovery Time	t _{rr}	I _S =3.0A, V _R =30V, V _{GS} =0V, dI _F /dt=100A/μs		204		ns
Reverse Recovery Charge	Q _{rr}			1.65		μC

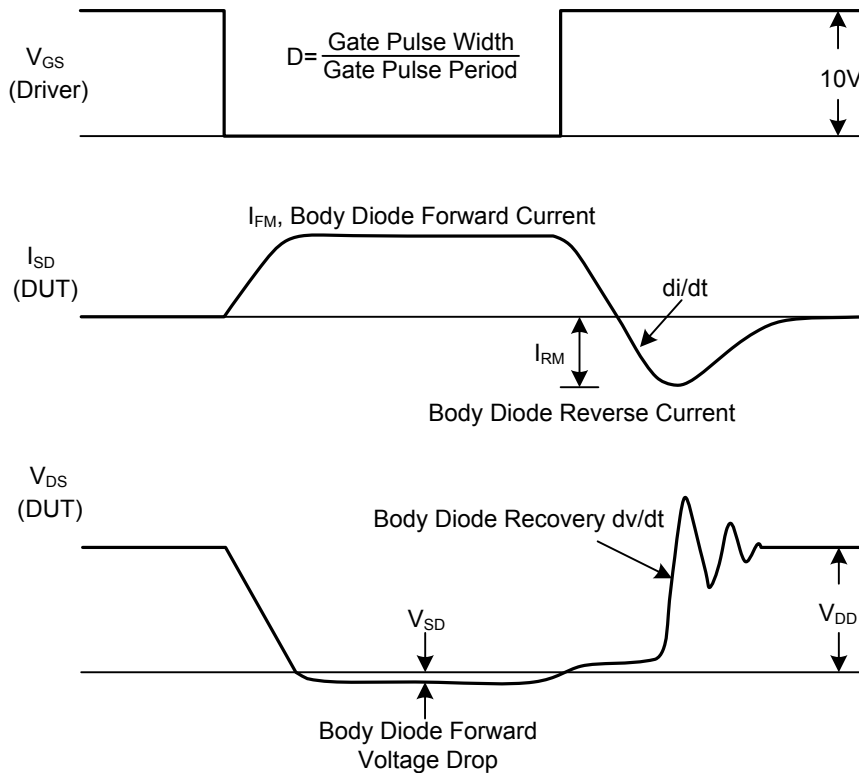
Notes: 1. Pulse Test: Pulse width ≤ 300μs, Duty cycle ≤ 2%.

2. Essentially independent of operating temperature.

■ TEST CIRCUITS AND WAVEFORMS

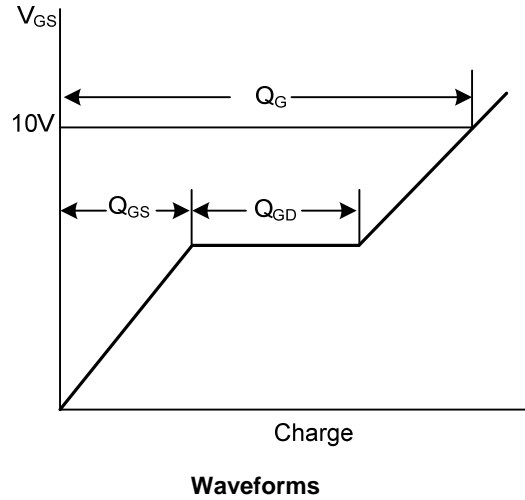
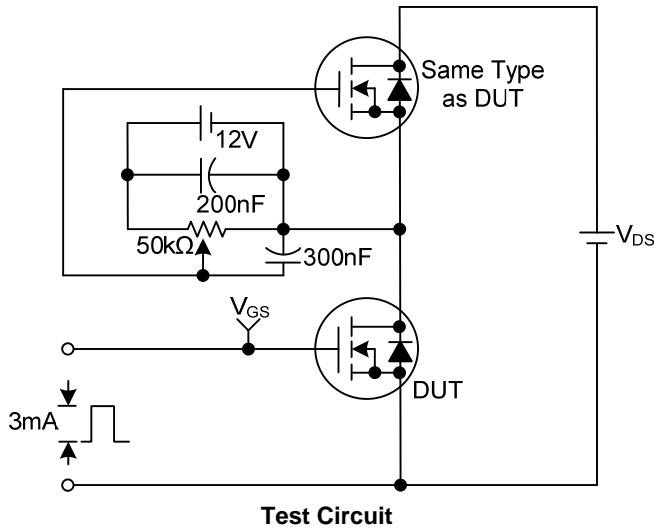


Peak Diode Recovery dv/dt Test Circuit & Waveforms

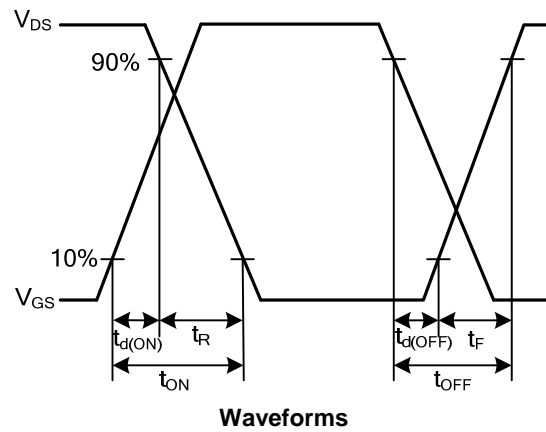
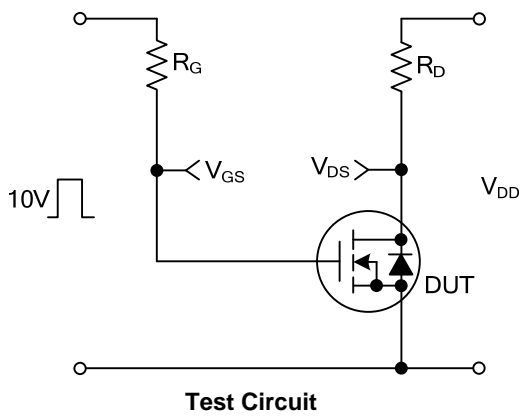


TEST CIRCUITS AND WAVEFORMS(Cont.)

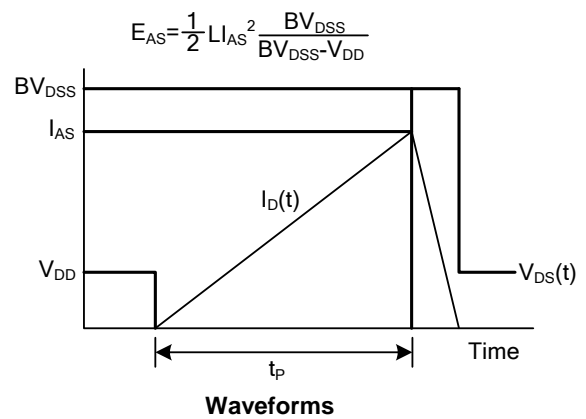
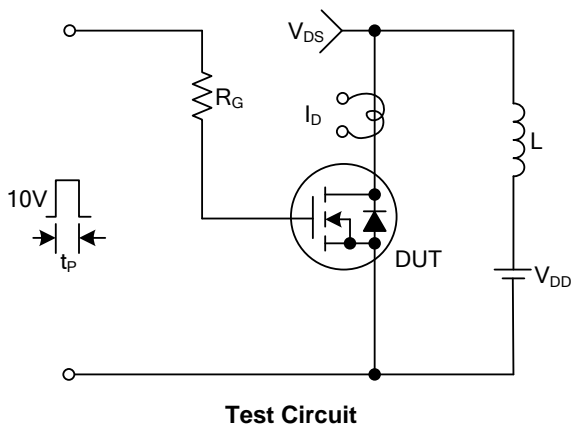
Gate Charge



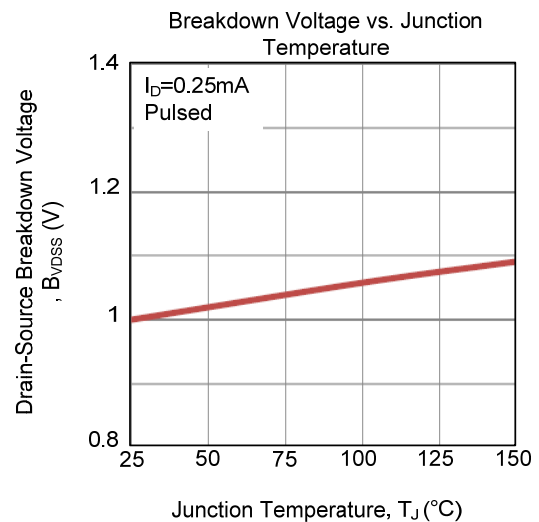
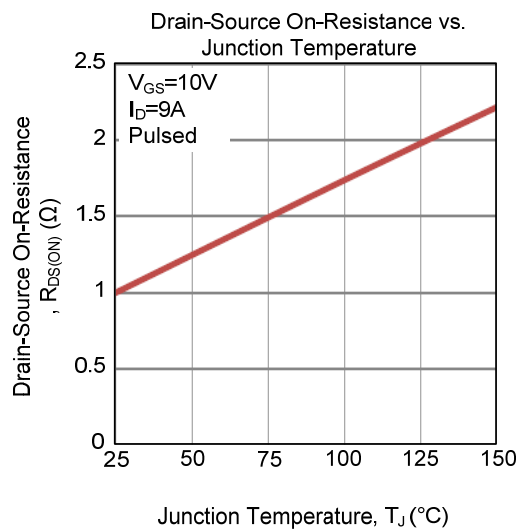
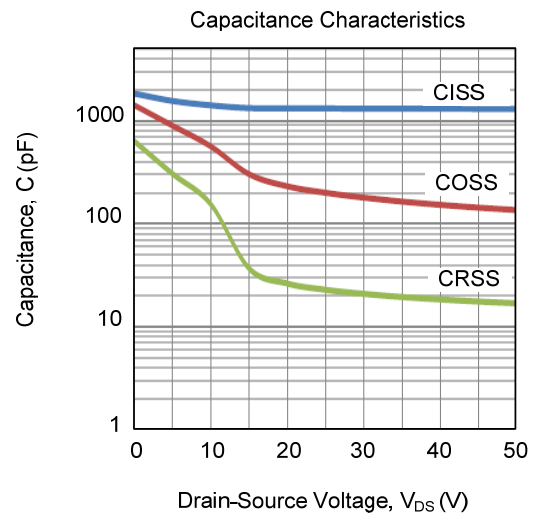
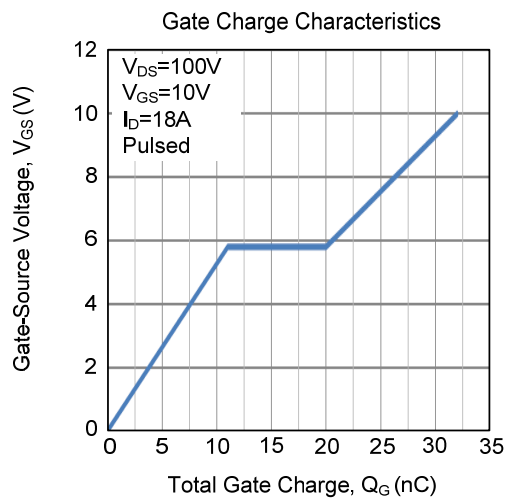
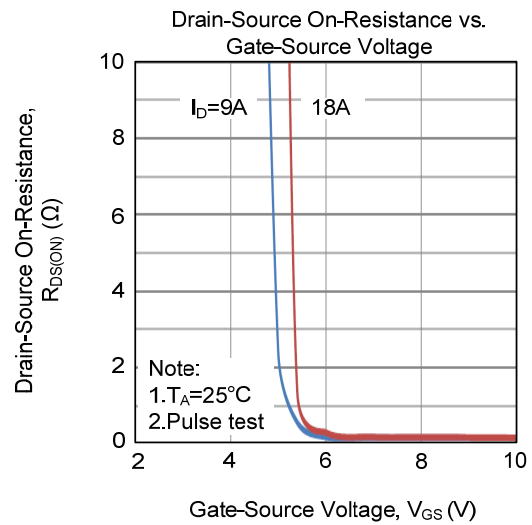
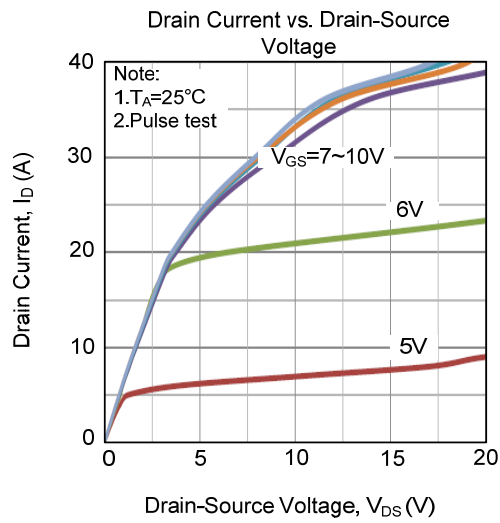
Resistive Switching



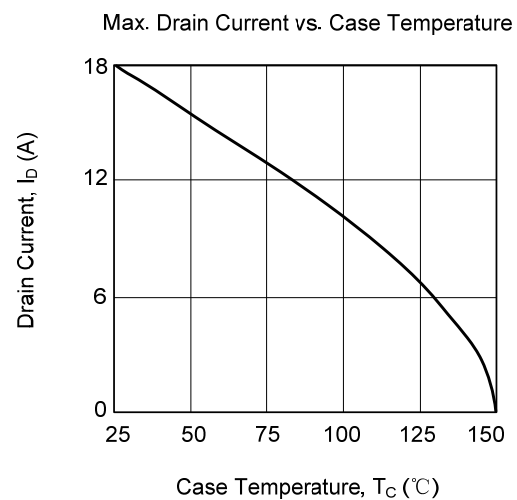
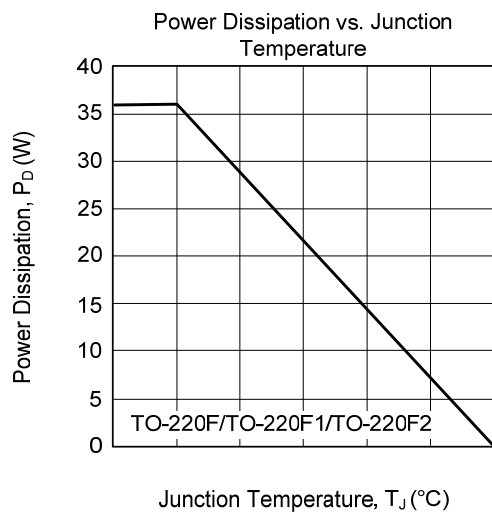
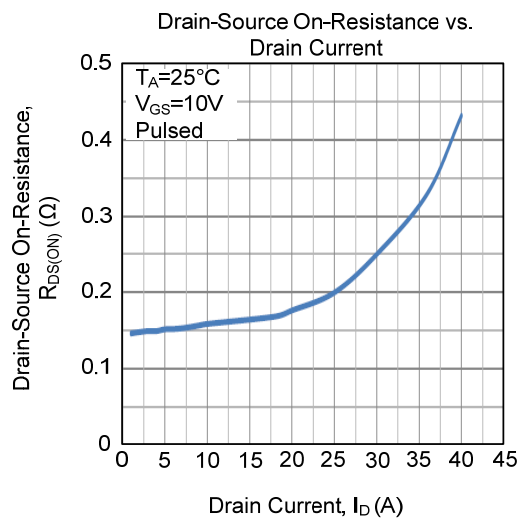
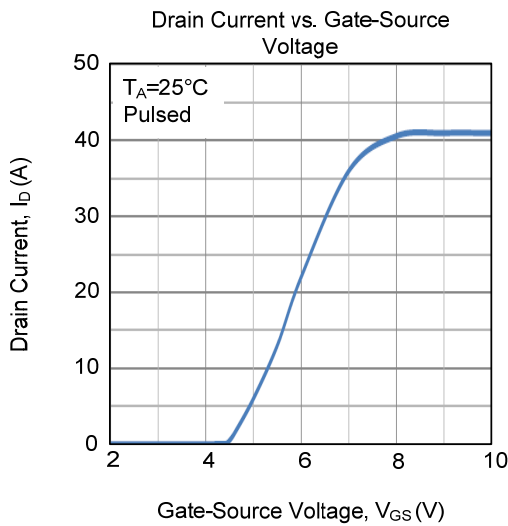
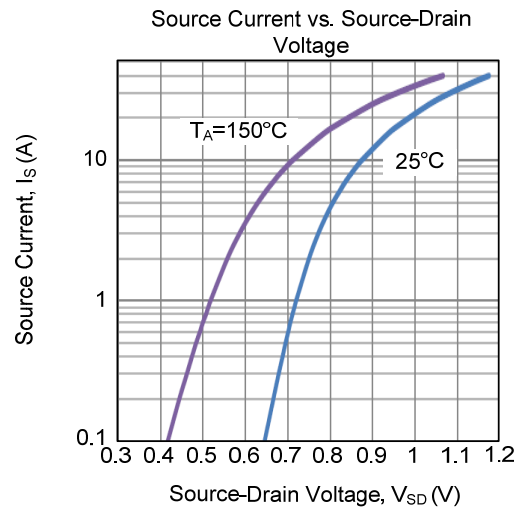
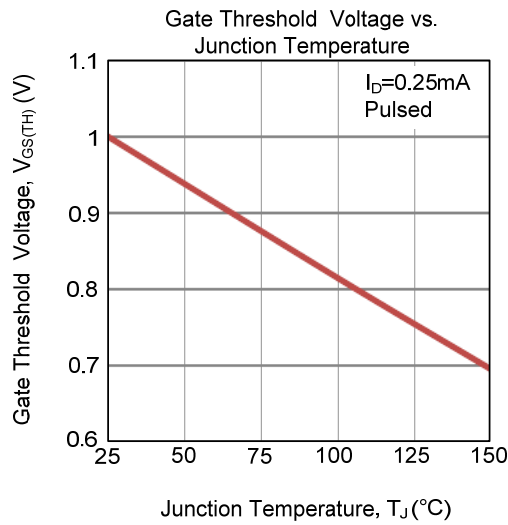
Unclamped Inductive Switching



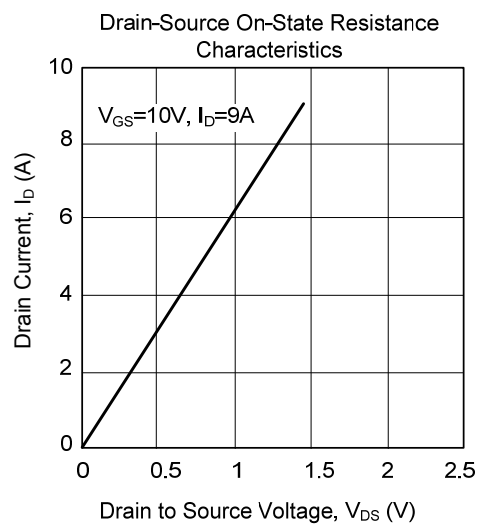
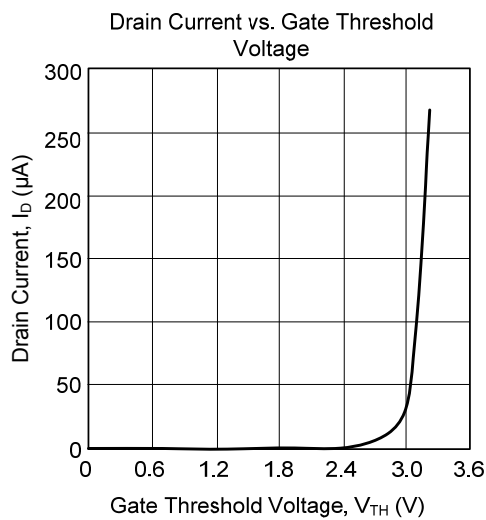
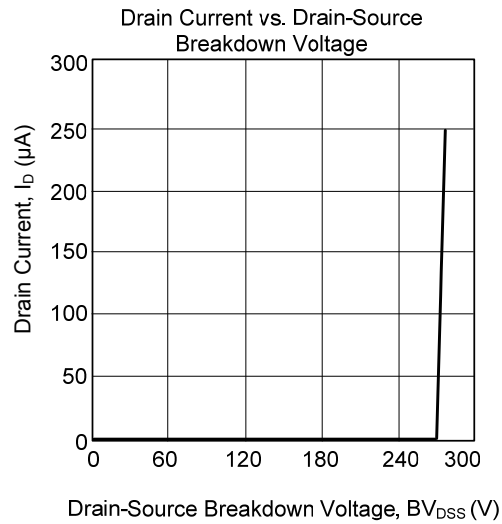
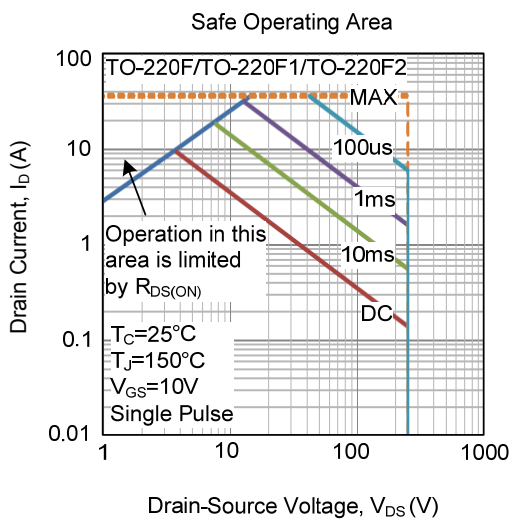
TYPICAL CHARACTERISTICS



TYPICAL CHARACTERISTICS (Cont.)



■ TYPICAL CHARACTERISTICS (Cont.)



UTC assumes no responsibility for equipment failures that result from using products at values that exceed, even momentarily, rated values (such as maximum ratings, operating condition ranges, or other parameters) listed in products specifications of any and all UTC products described or contained herein. UTC products are not designed for use in life support appliances, devices or systems where malfunction of these products can be reasonably expected to result in personal injury. Reproduction in whole or in part is prohibited without the prior written consent of the copyright owner. UTC reserves the right to make changes to information published in this document, including without limitation specifications and product descriptions, at any time and without notice. This document supersedes and replaces all information supplied prior to the publication hereof.

X-ON Electronics

Largest Supplier of Electrical and Electronic Components

Click to view similar products for [MOSFET](#) category:

Click to view products by [Unisonic](#) manufacturer:

Other Similar products are found below :

[IRFD120](#) [JANTX2N5237](#) [2SK2267\(Q\)](#) [BUK455-60A/B](#) [TK100A10N1,S4X\(S](#) [MIC4420CM-TR](#) [VN1206L](#) [NDP4060](#) [SI4482DY](#)
[IRS2092STRPBF-EL](#) [IPS70R2K0CEAKMA1](#) [TK31J60W5,S1VQ\(O](#) [TK31J60W,S1VQ\(O](#) [TK16J60W,S1VQ\(O](#) [2SK2614\(TE16L1,Q\)](#)
[DMN1017UCP3-7](#) [EFC2J004NUZTDG](#) [P85W28HP2F-7071](#) [DMN1053UCP4-7](#) [NTE2384](#) [DMC2700UDMQ-7](#) [DMN2080UCB4-7](#)
[DMN61D9UWQ-13](#) [US6M2GTR](#) [DMN31D5UDJ-7](#) [DMP22D4UFO-7B](#) [IPS60R3K4CEAKMA1](#) [DMN1006UCA6-7](#) [DMN16M9UCA6-7](#)
[STF5N65M6](#) [IRF40H233XTMA1](#) [STU5N65M6](#) [DMN6022SSD-13](#) [DMN13M9UCA6-7](#) [DMTH10H4M6SPS-13](#) [IPS60R360PFD7SAKMA1](#)
[DMN2990UFB-7B](#) [SSM3K35CT,L3F](#) [IPLK60R1K0PFD7ATMA1](#) [2N7002W-G](#) [MCAC30N06Y-TP](#) [IPWS65R035CFD7AXKSA1](#)
[MCQ7328-TP](#) [SSM3J143TU,LXHF](#) [DMN12M3UCA6-7](#) [PJMF280N65E1_T0_00201](#) [PJMF380N65E1_T0_00201](#)
[PJMF280N60E1_T0_00201](#) [PJMF600N65E1_T0_00201](#) [PJMF900N65E1_T0_00201](#)