



18N50

Power MOSFET

18A, 500V N-CHANNEL POWER MOSFET

DESCRIPTION

The UTC **18N50** is a N-channel enhancement mode power MOSFET using UTC's advanced planar stripe and DMOS technology to provide perfect performance.

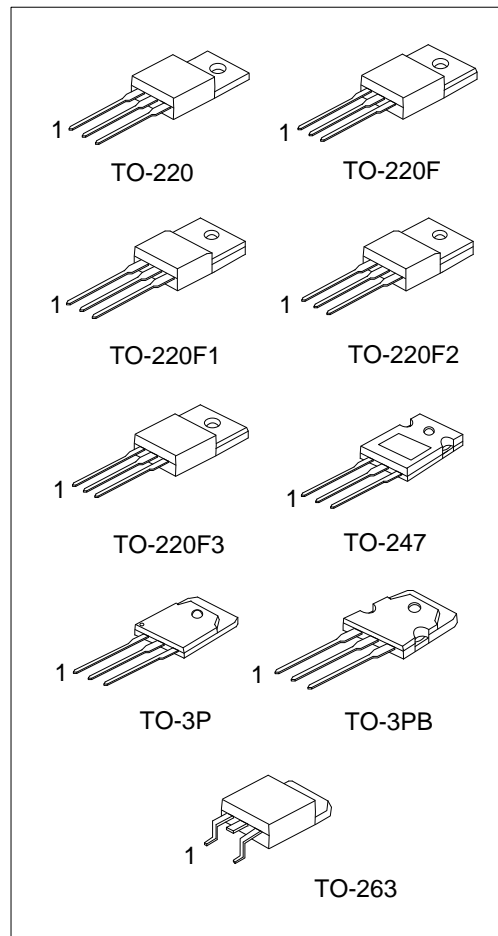
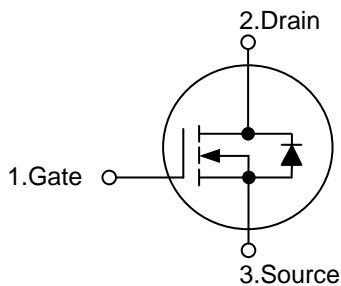
This technology can withstand high energy pulse in the avalanche and commutation mode. It can provide minimum on-state resistance and high switching speed.

This device is generally applied in active power factor correction and high efficient switched mode power supplies.

FEATURES

- * $R_{DS(ON)} \leq 0.32 \Omega @ V_{GS}=10V, I_D=9.0A$
- * High switching speed
- * 100% avalanche tested

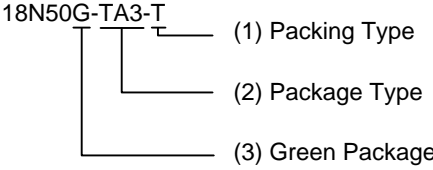
SYMBOL



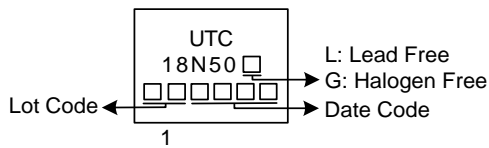
■ ORDERING INFORMATION

Ordering Number		Package	Pin Assignment			Packing
Lead Free	Halogen Free		1	2	3	
18N50L-TA3-T	18N50G-TA3-T	TO-220	G	D	S	Tube
18N50L-TF1-T	18N50G-TF1-T	TO-220F1	G	D	S	Tube
18N50L-TF2-T	18N50G-TF2-T	TO-220F2	G	D	S	Tube
18N50L-TF3T-T	18N50G-TF3T-T	TO-220F3	G	D	S	Tube
18N50L-TF3-T	18N50G-TF3-T	TO-220F	G	D	S	Tube
18N50L-T3B-T	18N50G-T3B-T	TO-3PB	G	D	S	Tube
18N50L-T3P-T	18N50G-T3P-T	TO-3P	G	D	S	Tube
18N50L-T47-T	18N50G-T47-T	TO-247	G	D	S	Tube
18N50L-TQ2-T	18N50G-TQ2-T	TO-263	G	D	S	Tube
18N50L-TQ2-R	18N50G-TQ2-R	TO-263	G	D	S	Tape Reel

Note: Pin Assignment: G: Gate D: Drain S: Source

<p>18N50G-TA3-T</p>  <p>(1) Packing Type</p> <p>(2) Package Type</p> <p>(3) Green Package</p>	<p>(1) T: Tube, R: Tape Reel</p> <p>(2) TA3: TO-220, TF1: TO-220F1, TF2: TO-220F2, TF3T: TO-220F3, TF3: TO-220F, TQ2: TO-263, T3B: TO-3PB, T3P: TO-3P, T47: TO-247</p> <p>(3) G: Halogen Free and Lead Free, L: Lead Free</p>
--	---

■ MARKING



■ **ABSOLUTE MAXIMUM RATINGS** ($T_C = 25^\circ\text{C}$, unless otherwise specified)

PARAMETER		SYMBOL	RATINGS	UNIT
Drain-Source Voltage		V_{DSS}	500	V
Gate-Source Voltage		V_{GSS}	± 30	V
Drain Current	Continuous	I_D	18	A
	Pulsed (Note 2)	I_{DM}	72	A
Avalanche Current (Note 2)		I_{AR}	13	A
Avalanche Energy	Single Pulsed (Note 3)	E_{AS}	845	mJ
Peak Diode Recovery dv/dt (Note 4)		dv/dt	3.2	V/ns
Power Dissipation	TO-220/TO-263	P_D	235	W
	TO-220F/TO-220F1		40	W
	TO-220F2/TO-220F3		380	W
	TO-3P/TO-3PB		357	W
	TO-247			
Junction Temperature		T_J	+150	$^\circ\text{C}$
Storage Temperature		T_{STG}	-55 ~ +150	$^\circ\text{C}$

Notes: 1. Absolute maximum ratings are those values beyond which the device could be permanently damaged.

Absolute maximum ratings are stress ratings only and functional device operation is not implied.

2. Repetitive Rating : Pulse width limited by maximum junction temperature.

3. $L=10\text{mH}$, $I_{AS}=13\text{A}$, $V_{DD}=50\text{V}$, $R_G=25\ \Omega$, Starting $T_J = 25^\circ\text{C}$

4. $I_{SD}\leq 18\text{A}$, $di/dt\leq 200\text{A}/\mu\text{s}$, $V_{DD}\leq BV_{DSS}$, Starting $T_J = 25^\circ\text{C}$

■ **THERMAL CHARACTERISTICS**

PARAMETER		SYMBOL	RATINGS	UNIT
Junction to Ambient	TO-220/TO-220F	θ_{JA}	62.5	$^\circ\text{C}/\text{W}$
	TO-220F1/TO-220F2			
	TO-220F3/TO-263			
	TO-3P/TO-3PB			
	TO-247			
Junction to Case	TO-220/TO-263	θ_{JC}	0.53	$^\circ\text{C}/\text{W}$
	TO-220F/TO-220F1		3.13	$^\circ\text{C}/\text{W}$
	TO-220F2/TO-220F3		0.33	$^\circ\text{C}/\text{W}$
	TO-3P/TO-3PB		0.33	$^\circ\text{C}/\text{W}$
	TO-247		0.35	$^\circ\text{C}/\text{W}$

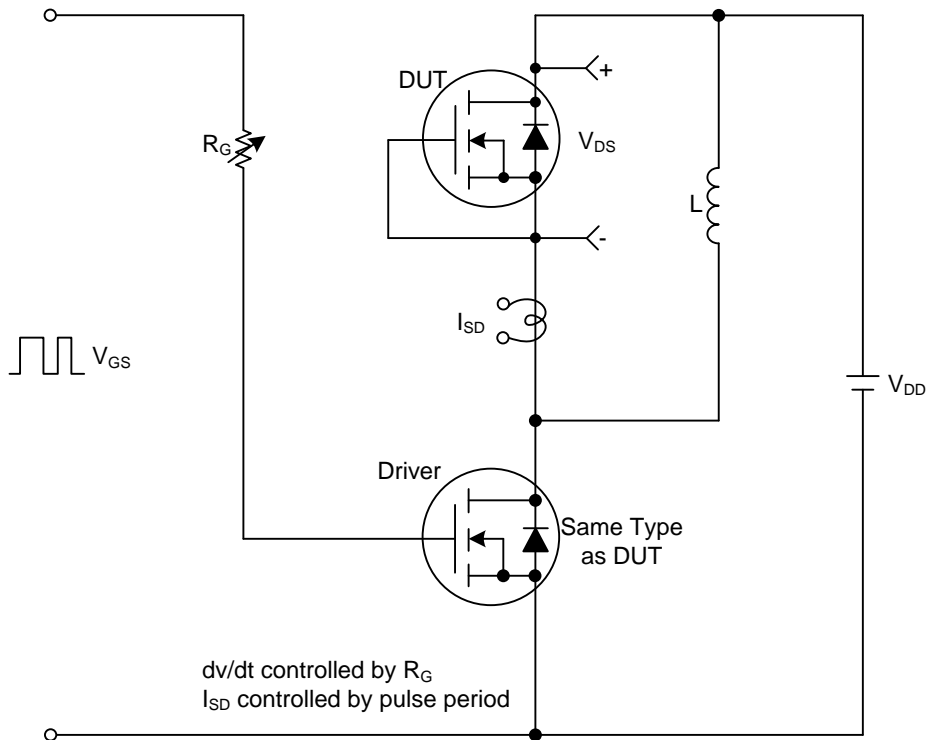
■ **ELECTRICAL CHARACTERISTICS** ($T_J=25^{\circ}\text{C}$, unless otherwise specified)

PARAMETER	SYMBOL	TEST CONDITIONS	MIN	TYP	MAX	UNIT
OFF CHARACTERISTICS						
Drain-Source Breakdown Voltage	BV_{DSS}	$V_{GS}=0V, I_D=250\mu A$	500			V
Drain-Source Leakage Current	I_{DSS}	$V_{DS}=500V, V_{GS}=0V$			10	μA
Gate-Source Leakage Current	Forward	$V_{GS} = 30 V, V_{DS} = 0 V$ $V_{GS} = -30 V, V_{DS} = 0 V$			100	nA
	Reverse				-100	
ON CHARACTERISTICS						
Gate Threshold Voltage	$V_{GS(TH)}$	$V_{DS}=V_{GS}, I_D=250\mu A$	2.0		4.0	V
Drain-Source On-State Resistance	$R_{DS(ON)}$	$V_{GS}=10V, I_D=9.0A$			0.32	Ω
DYNAMIC PARAMETERS						
Input Capacitance	C_{ISS}	$V_{DS}=25V, V_{GS}=0V, f=1.0MHz$		2550		pF
Output Capacitance	C_{OSS}			330		pF
Reverse Transfer Capacitance	C_{RSS}			47		pF
SWITCHING PARAMETERS						
Total Gate Charge (Note 1)	Q_G	$V_{DS}=100V, V_{GS}=10V, I_D=18A,$ $I_D=1mA$ (Note 1, 2)		70		nC
Gate to Source Charge	Q_{GS}			13		nC
Gate to Drain Charge	Q_{GD}			25		nC
Turn-ON Delay Time (Note 1)	$t_{D(ON)}$	$V_{DS}=100V, V_{GS}=10V, I_D=18A,$ $R_G=25\Omega$ (Note 1, 2)		40		ns
Rise Time	t_R			38		ns
Turn-OFF Delay Time	$t_{D(OFF)}$			200		ns
Fall-Time	t_F			50		ns
SOURCE- DRAIN DIODE RATINGS AND CHARACTERISTICS						
Maximum Continuous Drain-Source Diode Forward Current	I_S				18	A
Maximum Pulsed Drain-Source Diode Forward Current	I_{SM}				72	A
Drain-Source Diode Forward Voltage (Note 1)	V_{SD}	$I_S=18A, V_{GS}=0V$			1.4	V
Body Diode Reverse Recovery Time (Note 1)	t_{rr}	$I_S=18A, V_{GS}=0V,$ $dI_F/dt=100A/\mu s$		380		nS
Body Diode Reverse Recovery Charge	Q_{rr}			5.4		μC

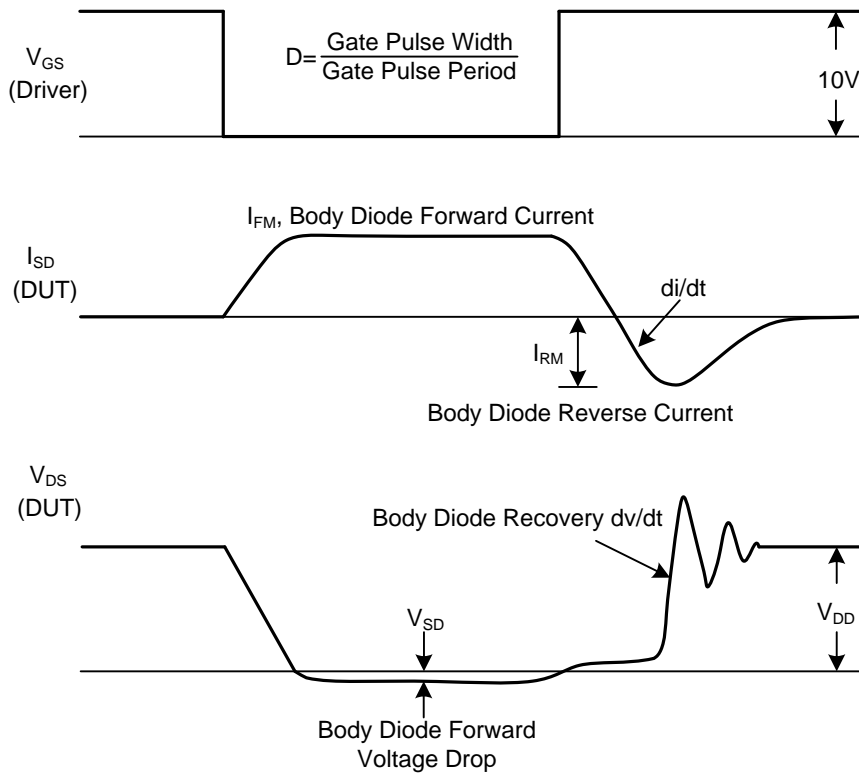
Notes: 1. Pulse Test : Pulse width $\leq 300\mu s$, Duty cycle $\leq 2\%$.

2. Essentially independent of operating temperature.

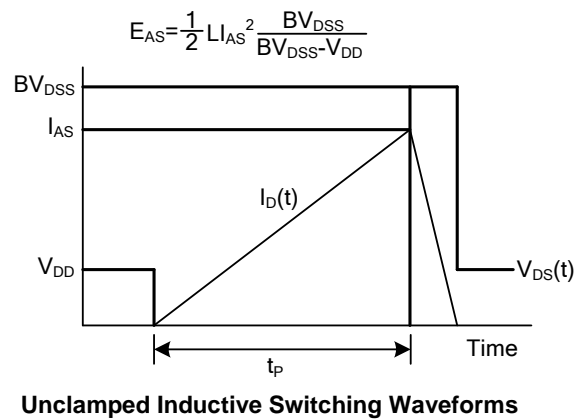
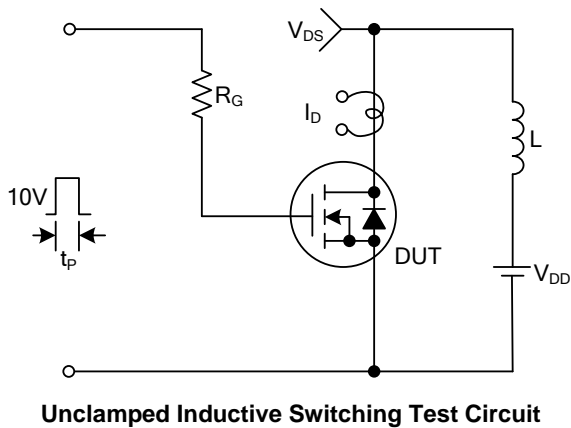
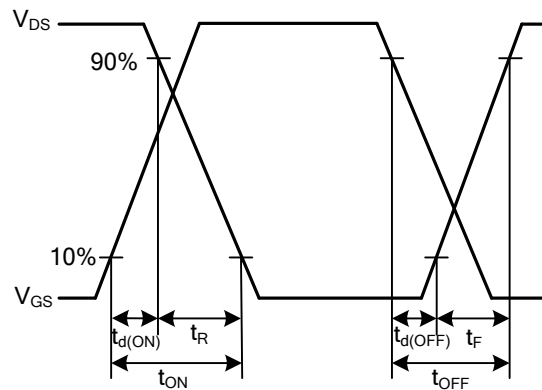
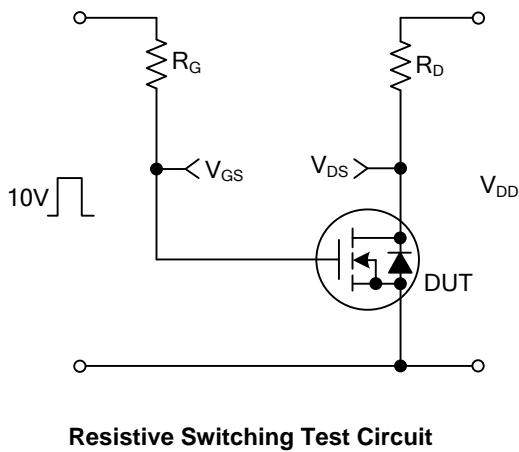
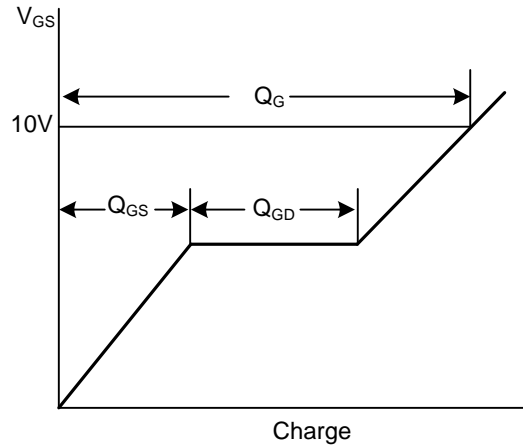
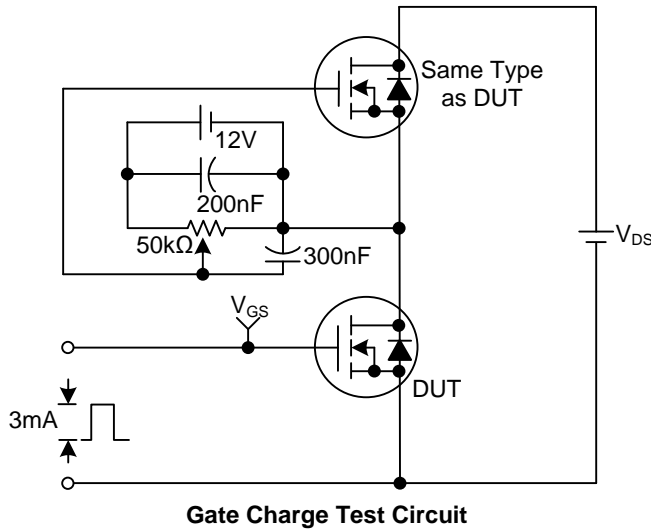
■ TEST CIRCUITS AND WAVEFORMS



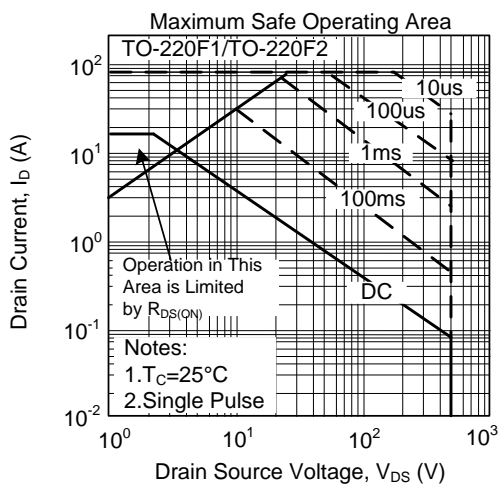
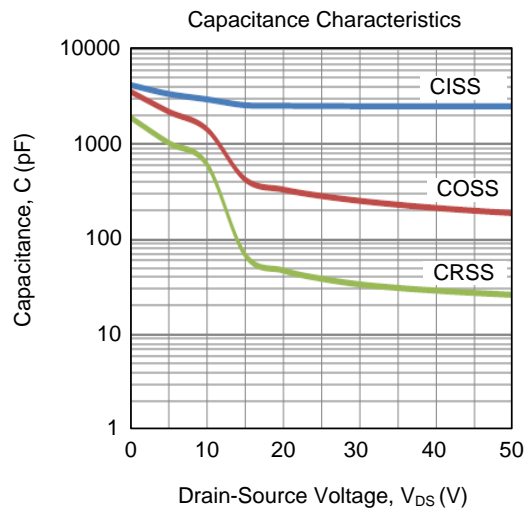
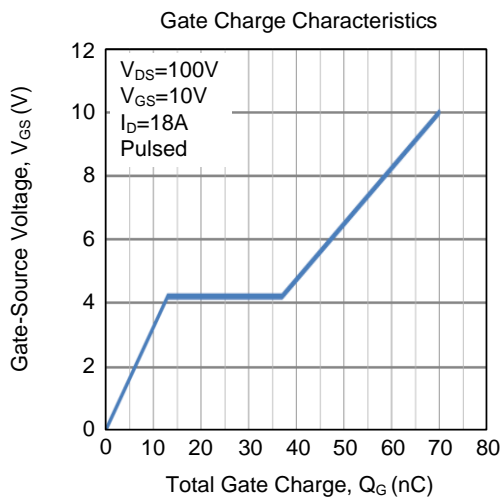
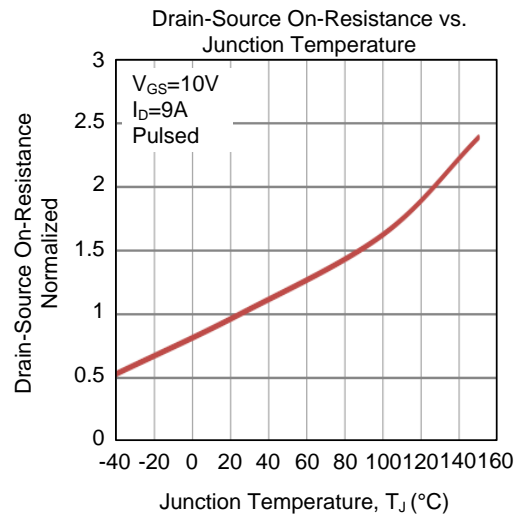
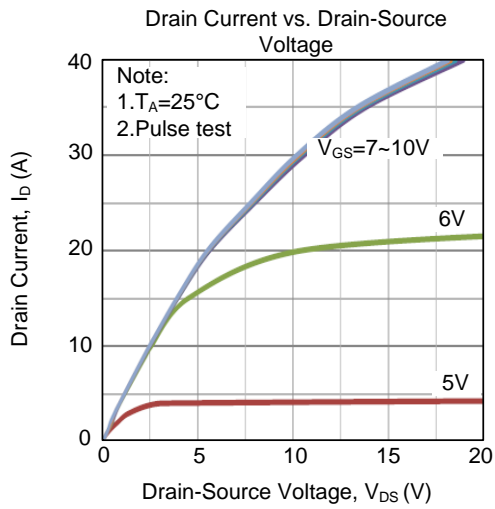
Peak Diode Recovery dv/dt Test Circuit & Waveforms



■ TEST CIRCUITS AND WAVEFORMS



TYPICAL CHARACTERISTICS



UTC assumes no responsibility for equipment failures that result from using products at values that exceed, even momentarily, rated values (such as maximum ratings, operating condition ranges, or other parameters) listed in products specifications of any and all UTC products described or contained herein. UTC products are not designed for use in life support appliances, devices or systems where malfunction of these products can be reasonably expected to result in personal injury. Reproduction in whole or in part is prohibited without the prior written consent of the copyright owner. UTC reserves the right to make changes to information published in this document, including without limitation specifications and product descriptions, at any time and without notice. This document supersedes and replaces all information supplied prior to the publication hereof.

X-ON Electronics

Largest Supplier of Electrical and Electronic Components

Click to view similar products for [MOSFET](#) category:

Click to view products by [Unisonic](#) manufacturer:

Other Similar products are found below :

[IRFD120](#) [JANTX2N5237](#) [BUK455-60A/B](#) [MIC4420CM-TR](#) [VN1206L](#) [NDP4060](#) [SI4482DY](#) [IPS70R2K0CEAKMA1](#) [SQD23N06-31L-GE3](#)
[TK16J60W,S1VQ\(O](#) [2SK2614\(TE16L1,Q\)](#) [DMN1017UCP3-7](#) [DMN1053UCP4-7](#) [SQJ469EP-T1-GE3](#) [NTE2384](#) [DMC2700UDMQ-7](#)
[DMN2080UCB4-7](#) [DMN61D9UWQ-13](#) [US6M2GTR](#) [DMN31D5UDJ-7](#) [DMP22D4UFO-7B](#) [DMN1006UCA6-7](#) [DMN16M9UCA6-7](#)
[STF5N65M6](#) [IRF40H233XTMA1](#) [STU5N65M6](#) [DMN6022SSD-13](#) [DMN13M9UCA6-7](#) [DMTH10H4M6SPS-13](#) [DMN2990UFB-7B](#)
[IPB80P04P405ATMA2](#) [2N7002W-G](#) [MCAC30N06Y-TP](#) [MCQ7328-TP](#) [NTMC083NP10M5L](#) [BXP7N65D](#) [BXP4N65F](#) [AOL1454G](#)
[WMJ80N60C4](#) [BXP2N20L](#) [BXP2N65D](#) [BXT1150N10J](#) [BXT1700P06M](#) [TSM60NB380CP](#) [ROG](#) [RQ7L055BGTGR](#) [DMNH15H110SK3-13](#)
[SLF10N65ABV2](#) [BSO203SP](#) [BSO211P](#) [IPA60R230P6](#)