



2SD882

NPN SILICON TRANSISTOR

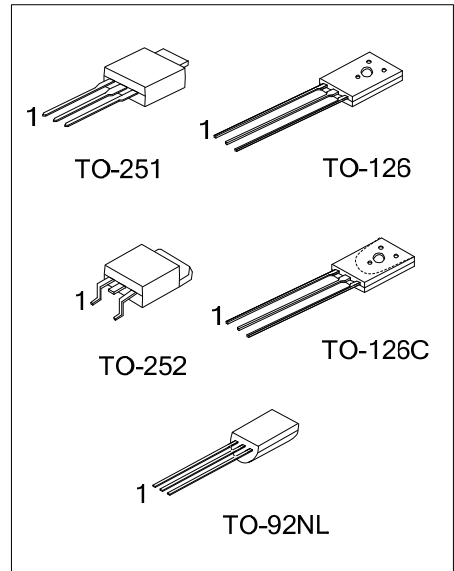
MEDIUM POWER LOW VOLTAGE TRANSISTOR

■ **FEATURES**

- * High current output up to 3A
- * Low saturation voltage
- * Complement to 2SB772

■ **APPLICATIONS**

- * Audio power amplifier
- * DC-DC convertor
- * Voltage regulator



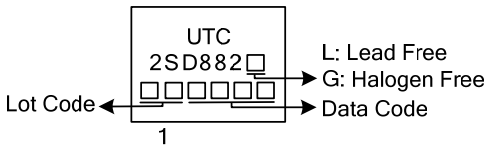
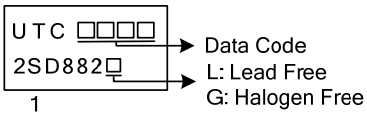
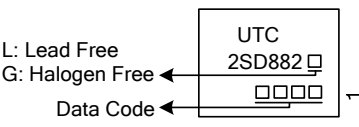
■ **ORDERING INFORMATION**

Ordering Number		Package	Pin Assignment			Packing
Lead Free	Halogen Free		1	2	3	
2SD882L-x-TM3-T	2SD882G-x-TM3-T	TO-251	B	C	E	Tube
2SD882L-x-TN3-R	2SD882G-x-TN3-R	TO-252	B	C	E	Tape Reel
2SD882L-x-T60-K	2SD882G-x-T60-K	TO-126	E	C	B	Bulk
2SD882L-x-T6C-K	2SD882G-x-T6C-K	TO-126C	E	C	B	Bulk
2SD882L-x-T6S-K	2SD882G-x-T6S-K	TO-126S	E	C	B	Bulk
2SD882L-x-T9N-B	2SD882G-x-T9N-B	TO-92NL	E	C	B	Tape Box
2SD882L-x-T9N-K	2SD882G-x-T9N-K	TO-92NL	E	C	B	Bulk

Note: Pin Assignment: E: Emitter C: Collector B: Base

<p>2SD882L-x-T60-R</p> <p>(1)Packing Type (2)Package Type (3)Rank (4)Green Package</p>	<p>(1) B: Tape Box, K: Bulk, T: Tube, R: Tape Reel (2) T60: TO-126, T6C: TO-126C, T6S: TO-126S TM3: TO-251, TN3: TO-252, T9N: TO-92NL (3) x: refer to Classification of h_{FE2} (4) L: Lead Free, G: Halogen Free and Lead Free</p>
--	--

MARKING

PACKAGE	MARKING
TO-251 TO-252	
TO-126 TO-126C TO-126S	
TO-92NL	

■ ABSOLUTE MAXIMUM RATING ($T_A=25^\circ\text{C}$, unless otherwise specified)

PARAMETER		SYMBOL	RATINGS	UNIT
Collector-Base Voltage		V_{CBO}	40	V
Collector-Emitter Voltage		V_{CEO}	30	V
Emitter-Base Voltage		V_{EBO}	7	V
Collector Current	DC	I_C	3	A
	Pulse	I_{CP}	7	A
Base Current		I_B	0.6	A
Collector Dissipation ($T_A=25^\circ\text{C}$)	TO-251/TO-252 TO-126/TO-126C TO-126S	P_C	1	W
	TO-92NL		0.8	W
Junction Temperature		T_J	+150	$^\circ\text{C}$
Storage Temperature		T_{STG}	-55 ~ +150	$^\circ\text{C}$

Note Absolute maximum ratings are those values beyond which the device could be permanently damaged. Absolute maximum ratings are stress ratings only and functional device operation is not implied.

■ ELECTRICAL CHARACTERISTICS ($T_A=25^\circ\text{C}$, unless otherwise specified)

PARAMETER	SYMBOL	TEST CONDITIONS	MIN	TYP	MAX	UNIT
Collector-Base Breakdown Voltage	BV_{CBO}	$I_C=100\mu\text{A}$, $I_E=0$	40			V
Collector-Emitter Breakdown Voltage	BV_{CEO}	$I_C=1\text{mA}$, $I_B=0$	30			V
Emitter-Base Breakdown Voltage	BV_{EBO}	$I_E=100\mu\text{A}$, $I_C=0$	7			V
Collector Cut-off Current	I_{CBO}	$V_{CB}=30\text{V}$, $I_E=0$			1000	nA
Emitter Cut-off Current	I_{EBO}	$V_{EB}=3\text{V}$, $I_C=0$			1000	nA
DC Current Gain (Note)	h_{FE1}	$V_{CE}=2\text{V}$, $I_C=20\text{mA}$	30	200		
	h_{FE2}	$V_{CE}=2\text{V}$, $I_C=1\text{A}$	100	150	400	
Collector-Emitter Saturation Voltage	$V_{CE(SAT)}$	$I_C=2\text{A}$, $I_B=0.2\text{A}$		0.3	0.5	V
Base-Emitter Saturation Voltage	$V_{BE(SAT)}$	$I_C=2\text{A}$, $I_B=0.2\text{A}$		1.0	2.0	V
Current Gain Bandwidth Product	f_T	$V_{CE}=5\text{V}$, $I_C=0.1\text{A}$		80		MHz
Output Capacitance	C_{ob}	$V_{CB}=10\text{V}$, $I_E=0$, $f=1\text{MHz}$		45		pF

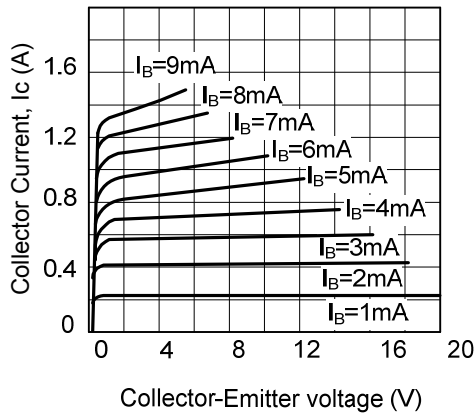
Note: Pulse test: $PW < 300\mu\text{s}$, Duty Cycle $< 2\%$

■ CLASSIFICATION OF h_{FE2}

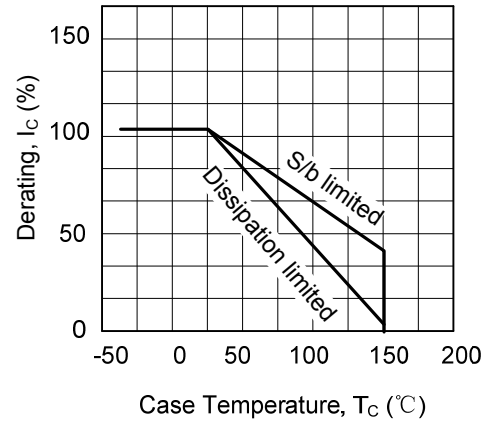
RANK	Q	P	E
RANGE	100-200	160-320	200-400

TYPICAL CHARACTERISTICS

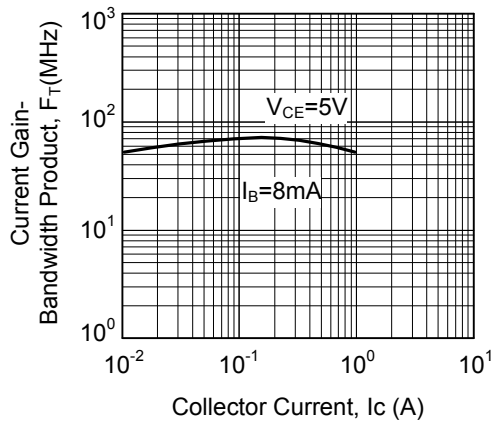
Static Characteristics



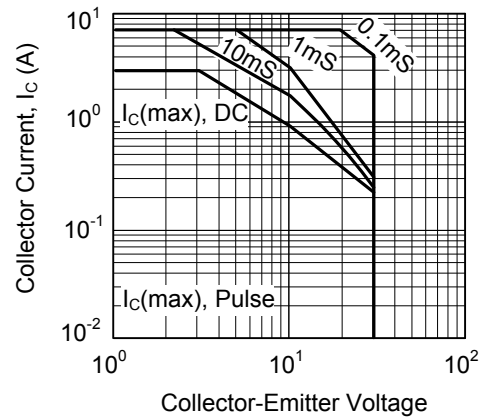
Derating Curve of Safe Operating Areas



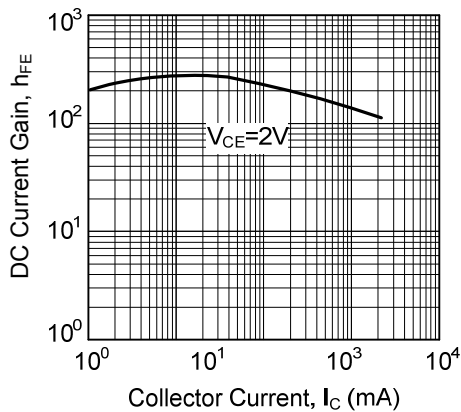
Current Gain-Bandwidth Product



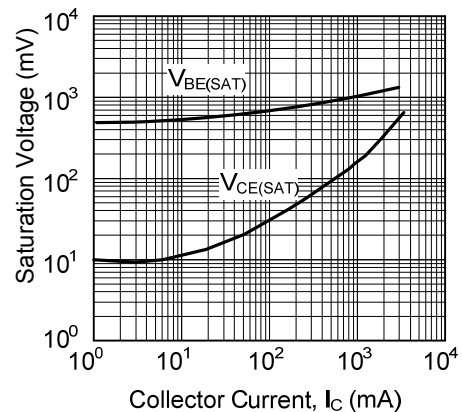
Safe Operating Area



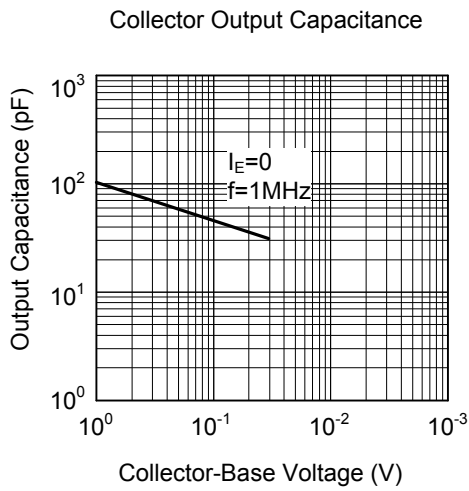
DC Current Gain



Saturation Voltage



■ TYPICAL CHARACTERISTICS(Cont.)



UTC assumes no responsibility for equipment failures that result from using products at values that exceed, even momentarily, rated values (such as maximum ratings, operating condition ranges, or other parameters) listed in products specifications of any and all UTC products described or contained herein. UTC products are not designed for use in life support appliances, devices or systems where malfunction of these products can be reasonably expected to result in personal injury. Reproduction in whole or in part is prohibited without the prior written consent of the copyright owner. The information presented in this document does not form part of any quotation or contract, is believed to be accurate and reliable and may be changed without notice.

X-ON Electronics

Largest Supplier of Electrical and Electronic Components

Click to view similar products for [Bipolar Transistors - BJT category](#):

Click to view products by [Unisonic manufacturer](#):

Other Similar products are found below :

[619691C](#) [MCH4017-TL-H](#) [MJ15024/WS](#) [MJ15025/WS](#) [BC546/116](#) [BC556/FSC](#) [BC557/116](#) [BSW67A](#) [HN7G01FU-A\(T5L,F,T](#)
[NJVMJD148T4G](#) [NSVMMBT6520LT1G](#) [NTE187A](#) [NTE195A](#) [NTE2302](#) [NTE2330](#) [NTE2353](#) [NTE316](#) [IMX9T110](#) [NTE63](#) [NTE65](#)
[C4460](#) [SBC846BLT3G](#) [2SA1419T-TD-H](#) [2SA1721-O\(TE85L,F\)](#) [2SA1727TLP](#) [2SA2126-E](#) [2SB1202T-TL-E](#) [2SB1204S-TL-E](#) [2SC5488A-](#)
[TL-H](#) [2SD2150T100R](#) [SP000011176](#) [FMC5AT148](#) [2N2369ADCSM](#) [2SB1202S-TL-E](#) [2SC2412KT146S](#) [2SC4618TLN](#) [2SC5490A-TL-H](#)
[2SD1816S-TL-E](#) [2SD1816T-TL-E](#) [CMXT2207 TR](#) [CPH6501-TL-E](#) [MCH4021-TL-E](#) [BC557B](#) [TTC012\(Q\)](#) [BULD128DT4](#) [JANTX2N3810](#)
[Jantx2N5416](#) [US6T6TR](#) [KSF350](#) [068071B](#)