



N-CHANNEL JUNCTION SILICON FET

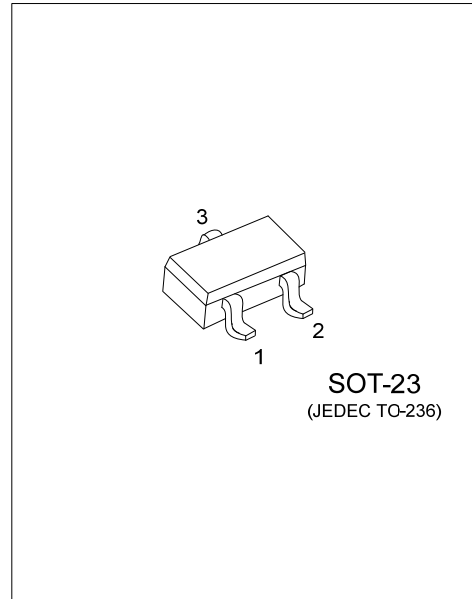
DESCRIPTION

The UTC **2SK3666** is an N-channel junction silicon FET, it uses UTC's advanced technology to provide the customers with low I_{GSS} and low C_{RSS} .

The UTC **2SK3666** is suitable for low-frequency general-purpose amplifier, impedance conversion, infrared sensor applications.

FEATURES

- * Low I_{GSS}
- * Low C_{RSS}



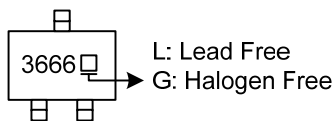
ORDERING INFORMATION

Ordering Number		Package	Pin Assignment			Packing
Lead Free	Halogen Free		1	2	3	
2SK3666L-x-AE3-R	2SK3666G-x-AE3-R	SOT-23	S	D	G	Tape Reel

Note: Pin Assignment: S: Source D: Drain G: Gate

<p>2SK3666G-x-AE3-R</p> <p>(1) Packing Type (2) Package Type (3) Rank (4) Green Package</p>	<p>(1) R: Tape Reel (2) AE3: SOT-23 (3) x: refer to Classification of I_{DSS} (4) G: Halogen Free and Lead Free, L: Lead Free</p>
---	--

MARKING



■ ABSOLUTE MAXIMUM RATINGS ($T_c=25^\circ\text{C}$, unless otherwise specified)

PARAMETER	SYMBOL	RATINGS	UNIT
Drain-Source Voltage	V_{DSS}	30	V
Gate-Drain Voltage	V_{GDS}	-30	V
Gate Current	I_G	10	mA
Drain Current	I_D	10	mA
Power Dissipation	P_D	200	mW
Junction Temperature	T_J	+150	$^\circ\text{C}$
Storage Temperature Range	T_{STG}	-55 ~ +150	$^\circ\text{C}$

Note: Absolute maximum ratings are those values beyond which the device could be permanently damaged. Absolute maximum ratings are stress ratings only and functional device operation is not implied.

■ ELECTRICAL CHARACTERISTICS ($T_c=25^\circ\text{C}$, unless otherwise specified)

PARAMETER	SYMBOL	TEST CONDITIONS	MIN	TYP	MAX	UNIT
OFF CHARACTERISTICS						
Gate-Drain Breakdown Voltage	$V_{(BR)GDS}$	$I_G=-10\mu\text{A}$, $V_{DS}=0\text{V}$	-30			V
Drain-Source Leakage Current	I_{DSS}	$V_{DS}=10\text{V}$, $V_{GS}=0\text{V}$	0.6		6.0	mA
Gate-Source Leakage Current	I_{GSS}	$V_{GS}=-20\text{V}$, $V_{DS}=0\text{V}$			-1.0	nA
Forward Transfer Admittance	$ y_{fs} $	$V_{GS}=0\text{V}$, $V_{DS}=10\text{V}$, $f=1\text{kHz}$	3.0	6.5		mS
ON CHARACTERISTICS						
Cutoff Voltage	$V_{GS(OFF)}$	$V_{DS}=10\text{V}$, $I_D=1\mu\text{A}$	-0.18	-0.95	-2.2	V
Static Drain-Source On-State Resistance	$R_{DS(ON)}$	$V_{GS}=0\text{V}$, $V_{DS}=10\text{mV}$		270		Ω
DYNAMIC PARAMETERS						
Input Capacitance	C_{ISS}	$V_{GS}=0\text{V}$, $V_{DS}=10\text{V}$, $f=1.0\text{MHz}$		4		pF
Reverse Transfer Capacitance	C_{RSS}			1.1		pF

■ CLASSIFICATION OF I_{DSS}

RANK	2	3	4
RANGE	0.6 ~ 1.5	1.2 ~ 3.0	2.5 ~ 6.0

UTC assumes no responsibility for equipment failures that result from using products at values that exceed, even momentarily, rated values (such as maximum ratings, operating condition ranges, or other parameters) listed in products specifications of any and all UTC products described or contained herein. UTC products are not designed for use in life support appliances, devices or systems where malfunction of these products can be reasonably expected to result in personal injury. Reproduction in whole or in part is prohibited without the prior written consent of the copyright owner. UTC reserves the right to make changes to information published in this document, including without limitation specifications and product descriptions, at any time and without notice. This document supersedes and replaces all information supplied prior to the publication hereof.

X-ON Electronics

Largest Supplier of Electrical and Electronic Components

Click to view similar products for [Unisonic manufacturer](#):

Other Similar products are found below :

[03N60G-AE3-R](#) [05N30G-AE3-R](#) [10N60L-TF1-T](#) [10N65L-ML-TF1-T](#) [10N65L-TC-TF1-T](#) [10N65L-TF1-T](#) [10N70L-TF1-T](#) [11N40L-TF1-T](#)
[11NM65L-TA3-T](#) [11NM70G-TN3-R](#) [12N60L-TF2-T](#) [12N65KL-MTTO](#) [12N65KL-TF1-T](#) [12N65L-TF1-T](#) [12N65L-TF1-TML\)](#) [12N70L-](#)
[TF1-T](#) [12N80L-FC TO-220F](#) [12N80L-TF2-T](#) [12N80L-TF3-T](#) [12P10L-TM3-T](#) [12P10L-TN3-R](#) [14N50L-TF3-T](#) [14N65L-ML-TF3-T](#)
[14N65L-TF1-T](#) [15N10L-TN3-R](#) [15NM70G-TF3-T](#) [18N50L-TF1-T](#) [18N65L-TF1-T](#) [18NM65L-TA3-T](#) [19N10L-TN3-R](#) [1N4148G-CA2-R](#)
[1N4148G-CB2-R](#) [1N5819G-CA2-R](#) [1N60G-AA3-R](#) [1N60L-T92-B](#) [1N60L-T92-K](#) [1N60L-TN3-R](#) [1N65G-AA3-R](#) [20N60L-TF2-T](#) [20N70L-](#)
[TF1-T](#) [24NM65G-TF1-T](#) [2N40G-CB-AB3-R](#) [2N5401G-B-T92-B](#) [2N5551G-B-AB3-R](#) [2N5551L-B-T92-B](#) [2N5551L-B-T92-K](#) [2N6027G-](#)
[T92-B](#) [2N60G-LC1-AA3-R](#) [2N60G-TM3-T](#) [2N60G-TN3-R](#)