



## 78DXX

## LINEAR INTEGRATED CIRCUIT

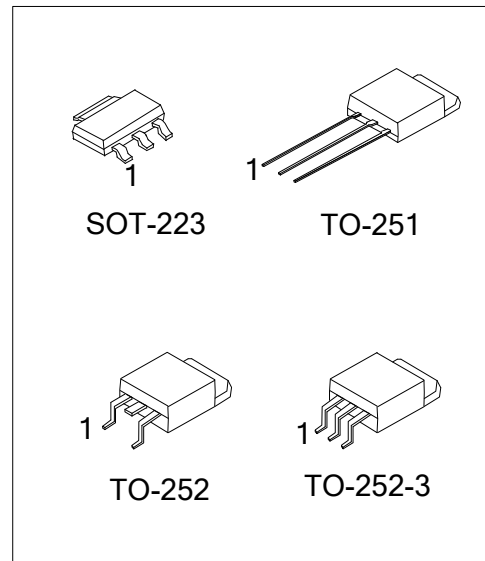
### 3-TERMINALS 0.5A POSITIVE VOLTAGE REGULATOR

#### DESCRIPTION

The UTC **78DXX** family is monolithic fixed voltage regulator integrated circuit. They are suitable for applications that required supply current up to 0.5 A.

#### FEATURE

- \* Output Current Up To 0.5 A
- \* Fixed Output Voltage Of 5V, 6V, 7V, 8V, 9V, 12V, 15V, 18V, 20V and 24V Available
- \* Thermal Overload Shutdown Protection
- \* Short Circuit Current Limiting
- \* Output Transistor SOA Protection



#### ORDERING INFORMATION

Ordering Number		Package	Pin Assignment			Packing
Lead Free	Halogen Free		1	2	3	
-	78DXXG-AA3-R	SOT-223	I	G	O	Tape Reel
78DXXL-TM3-T	78DXXG-TM3-T	TO-251	I	G	O	Tube
78DXXL-TN3-R	78DXXG-TN3-R	TO-252	I	G	O	Tape Reel
78DXXL-TNA-R	78DXXG-TNA-R	TO-252-3	I	G	O	Tape Reel

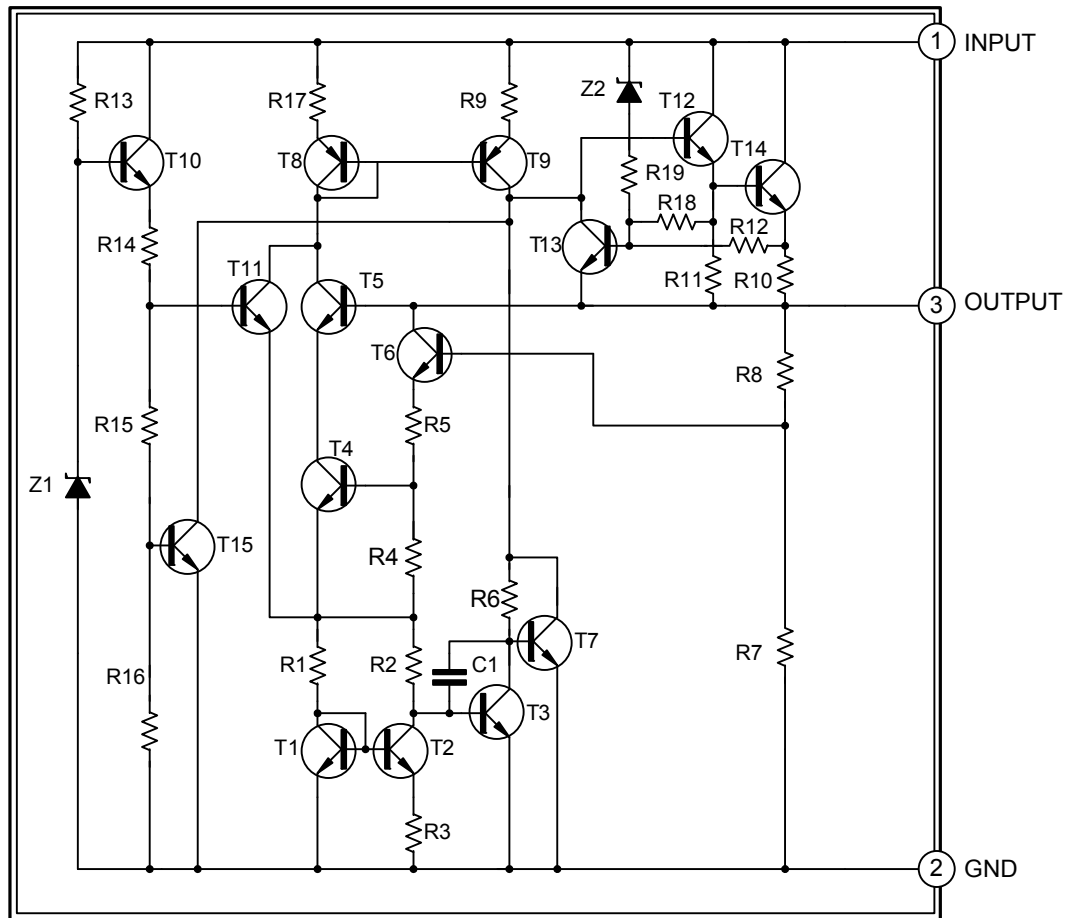
Note: 1. XX: Output Voltage, refer to Marking Information  
 2. Pin Code: I: Input G: GND O: Output

<p>78DXXG-AA3-R</p> <p>(1)Packing Type          (2)Package Type          (3)Green Package          (4)Output Voltage</p>	<p>(1) R: Tape Reel, T: Tube          (2) AA3: SOT-223, TM3: TO-251, TN3: TO-252, TNA: TO-252-3          (3) G: Halogen Free and Lead Free, L: Lead Free          (4) XX: refer to Marking Information</p>
--	--

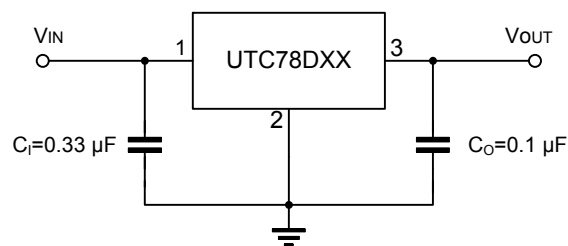
■ MARKING INFORMATION

PACKAGE	VOLTAGE CODE	MARKING
SOT-223	05: 5V 06: 6V 07: 7V 08: 8V 09: 9V	<p>78DXXG</p> <p>Voltage Code</p> <p>Date Code</p> <p>1 2 3</p>
TO-251 TO-252 TO-252-3	12: 12V 15: 15V 18: 18V 20: 20V 24: 24V	<p>UTC</p> <p>78DXXG</p> <p>Voltage Code</p> <p>Lot Code</p> <p>L: Lead Free</p> <p>G: Halogen Free</p> <p>Date Code</p> <p>1 2 3</p>

■ BLOCK DIAGRAM



■ TYPICAL APPLICATION CIRCUIT



Note: Bypass capacitors are recommended for optimum stability and transient response and should be located as close as possible to the regulators.

■ ABSOLUTE MAXIMUM RATINGS ( $T_J=25^\circ\text{C}$ , unless otherwise specified)

PARAMETER	SYMBOL	RATINGS	UNIT
Input Voltage	$V_{IN}$	35	V
Output Current	$I_{OUT}$	0.5	A
Power Dissipation ( $T_C=25^\circ\text{C}$ )	SOT-223	8.5	W
	TO-251/TO-252	10	
	TO-252-3		
Operating Junction Temperature	$T_J$	-20~ +150	$^\circ\text{C}$
Storage Temperature	$T_{STG}$	-65 ~ +150	$^\circ\text{C}$

Note: Absolute maximum ratings are those values beyond which the device could be permanently damaged. Absolute maximum ratings are stress ratings only and functional device operation is not implied.

■ THERMAL DATA

PARAMETER	SYMBOL	RATINGS	UNIT
Junction to Case	$\theta_{JC}$	15	$^\circ\text{C/W}$
		12.5	

■ ELECTRICAL CHARACTERISTICS

( $T_J=25^\circ\text{C}$ ,  $C_I=0.33\mu\text{F}$ ,  $C_O=0.1\mu\text{F}$ ,  $P_D\leq 7\text{W}$ , unless otherwise specified)

For 78D05 ( $V_{IN}=10\text{V}$ ,  $I_{OUT}=0.5\text{A}$ )

PARAMETER	SYMBOL	TEST CONDITIONS	MIN	TYP	MAX	UNIT
Output Voltage	$V_{OUT}$	$I_{OUT}=5\text{mA}\sim 0.5\text{A}$	4.8	5	5.2	V
		$V_{IN}=7.5\sim 20\text{V}$ , $I_{OUT}=5\text{mA}\sim 0.5\text{A}$	4.75		5.25	V
Load Regulation	$\Delta V_{OUT}$	$I_{OUT}=5\text{mA}\sim 0.5\text{A}$			50	mV
		$I_{OUT}=5\text{mA}\sim 200\text{mA}$			25	mV
Line Regulation	$\Delta V_{OUT}$	$V_{IN}=7\text{V}\sim 25\text{V}$			50	mV
		$V_{IN}=7.5\sim 20\text{V}$ , $I_{OUT}=0.5\text{A}$			50	mV
Quiescent Current	$I_Q$	$I_{OUT}=0.5\text{A}$			8	mA
Quiescent Current Change	$\Delta I_Q$	$V_{UT}=7.5\sim 20\text{V}$			1	mA
		$I_{OUT}=5\text{mA}\sim 0.5\text{A}$			0.5	mA
Output Noise Voltage	eN	$10\text{Hz}\leq f\leq 100\text{kHz}$		40		$\mu\text{V}$
Temperature coefficient of $V_{OUT}$	$\Delta V_{OUT}/\Delta T$	$I_{OUT}=5\text{mA}$		-0.6		$\text{mV}/^\circ\text{C}$
Ripple Rejection	RR	$V_{IN}=8\sim 18\text{V}$ , $f=120\text{Hz}$	62	80		dB
Peak Output Current	$I_{PEAK}$			1.2		A
Short-Circuit Current	$I_{SC}$	$V_{IN}=V_{OUT}+19\text{V}$		250		mA
Dropout Voltage	$V_D$			2		V

■ ELECTRICAL CHARACTERISTICS (Cont.)

For 78D06 ( $V_{IN}=11V$ ,  $I_{OUT}=0.5A$ )

PARAMETER	SYMBOL	TEST CONDITIONS	MIN	TYP	MAX	UNIT
Output Voltage	$V_{OUT}$	$I_{OUT}=5mA\sim 0.5A$	5.76	6	6.24	V
		$V_{IN}=8.5\sim 21V, I_{OUT}=5mA\sim 0.5A$	5.7		6.3	V
Load Regulation	$\Delta V_{OUT}$	$I_{OUT}=5mA\sim 0.5A$			60	mV
		$I_{OUT}=5mA\sim 200mA$			30	mV
Line Regulation	$\Delta V_{OUT}$	$V_{IN}=8\sim 25V$			60	mV
		$V_{IN}=8.5\sim 21V, I_{OUT}=0.5A$			60	mV
Quiescent Current	$I_Q$	$I_{OUT}=0.5A$			8	mA
Quiescent Current Change	$\Delta I_Q$	$V_{IN}=8.5\sim 21V$			1	mA
		$I_{OUT}=5mA\sim 0.5A$			0.5	mA
Output Noise Voltage	eN	$10Hz\leq f\leq 100kHz$		45		$\mu V$
Temperature coefficient of $V_{OUT}$	$\Delta V_{OUT}/\Delta T$	$I_{OUT}=5mA$		-0.7		$mV/^\circ C$
Ripple Rejection	RR	$V_{IN}=9\sim 19V, f=120Hz$	59	75		dB
Peak Output Current	$I_{PEAK}$			1.2		A
Short-Circuit Current	$I_{SC}$	$V_{IN}=V_{OUT}+19V$		250		mA
Dropout Voltage	$V_D$			2		V

For 78D07 ( $V_{IN}=13V$ ,  $I_{OUT}=0.5A$ )

PARAMETER	SYMBOL	TEST CONDITIONS	MIN	TYP	MAX	UNIT
Output Voltage	$V_{OUT}$	$I_{OUT}=5mA\sim 0.5A$	6.72	7	7.28	V
		$V_{IN}=9.5\sim 22V, I_{OUT}=5mA\sim 0.5A$	6.65		7.35	V
Load Regulation	$\Delta V_{OUT}$	$I_{OUT}=5mA\sim 0.5A$			70	mV
		$I_{OUT}=5mA\sim 200mA$			35	mV
Line Regulation	$\Delta V_{OUT}$	$V_{IN}=10.5\sim 25V$			70	mV
		$V_{IN}=10.5\sim 23V, I_{OUT}=0.5A$			70	mV
Quiescent Current	$I_Q$	$I_{OUT}=0.5A$			8	mA
Quiescent Current Change	$\Delta I_Q$	$V_{IN}=10.5\sim 23V$			1	mA
		$I_{OUT}=5mA\sim 0.5A$			0.5	mA
Output Noise Voltage	eN	$10Hz\leq f\leq 100kHz$		50		$\mu V$
Temperature coefficient of $V_{OUT}$	$\Delta V_{OUT}/\Delta T$	$I_{OUT}=5mA$		-0.8		$mV/^\circ C$
Ripple Rejection	RR	$V_{IN}=11.5\sim 21.5V, f=120Hz$	59	75		dB
Peak Output Current	$I_{PEAK}$			1.2		A
Short-Circuit Current	$I_{SC}$	$V_{IN}=V_{OUT}+19V$		250		mA
Dropout Voltage	$V_D$			2		V

For 78D08 ( $V_{IN}=14V$ ,  $I_{OUT}=0.5A$ )

PARAMETER	SYMBOL	TEST CONDITIONS	MIN	TYP	MAX	UNIT
Output Voltage	$V_{OUT}$	$I_{OUT}=5mA\sim 0.5A$	7.68	8	8.32	V
		$V_{IN}=10.5\sim 23V, I_{OUT}=5mA\sim 0.5A$	7.6		8.4	V
Load Regulation	$\Delta V_{OUT}$	$I_{OUT}=5mA\sim 0.5A$			80	mV
		$I_{OUT}=5mA\sim 200mA$			40	mV
Line Regulation	$\Delta V_{OUT}$	$V_{IN}=10.5\sim 25V$			80	mV
		$V_{IN}=10.5\sim 23V, I_{OUT}=0.5A$			80	mV
Quiescent Current	$I_Q$	$I_{OUT}=0.5A$			8	mA
Quiescent Current Change	$\Delta I_Q$	$V_{IN}=10.5\sim 23V$			1	mA
		$I_{OUT}=5mA\sim 0.5A$			0.5	mA
Output Noise Voltage	eN	$10Hz\leq f\leq 100kHz$		58		$\mu V$
Temperature coefficient of $V_{OUT}$	$\Delta V_{OUT}/\Delta T$	$I_{OUT}=5mA$		-0.9		$mV/^\circ C$
Ripple Rejection	RR	$V_{IN}=11.5\sim 21.5V, f=120Hz$	56	72		dB
Peak Output Current	$I_{PEAK}$			1.2		A
Short-Circuit Current	$I_{SC}$	$V_{IN}=V_{OUT}+19V$		250		mA
Dropout Voltage	$V_D$			2		V

■ ELECTRICAL CHARACTERISTICS (Cont.)

For 78D09 ( $V_{IN}=15V$ ,  $I_{OUT}=0.5A$ )

PARAMETER	SYMBOL	TEST CONDITIONS	MIN	TYP	MAX	UNIT
Output Voltage	$V_{OUT}$	$I_{OUT}=5mA\sim 0.5A$	8.64	9	9.36	V
		$V_{IN}=11.5\sim 24V, I_{OUT}=5mA\sim 0.5A$	8.55		9.45	V
Load Regulation	$\Delta V_{OUT}$	$I_{OUT}=5mA\sim 0.5A$			90	mV
		$I_{OUT}=5mA\sim 200mA$			45	mV
Line Regulation	$\Delta V_{OUT}$	$V_{IN}=11.5\sim 25V$			90	mV
		$V_{IN}=11.5\sim 24V, I_{OUT}=0.5A$			90	mV
Quiescent Current	$I_Q$	$I_{OUT}=0.5A$			8	mA
Quiescent Current Change	$\Delta I_Q$	$V_{IN}=11.5\sim 24V$			1	mA
		$I_{OUT}=5mA\sim 0.5A$			0.5	mA
Output Noise Voltage	eN	$10Hz\leq f\leq 100kHz$		58		$\mu V$
Temperature coefficient of $V_{OUT}$	$\Delta V_{OUT}/\Delta T$	$I_{OUT}=5mA$		-1.1		$mV/^\circ C$
Ripple Rejection	RR	$V_{IN}=12.5\sim 22.5V, f=120Hz$	56	72		dB
Peak Output Current	$I_{PEAK}$			1.2		A
Short-Circuit Current	$I_{SC}$	$V_{IN}=V_{OUT}+19V$		250		mA
Dropout Voltage	$V_D$			2		V

For 78D12 ( $V_{IN}=19V$ ,  $I_{OUT}=0.5A$ )

PARAMETER	SYMBOL	TEST CONDITIONS	MIN	TYP	MAX	UNIT
Output Voltage	$V_{OUT}$	$I_{OUT}=5mA\sim 0.5A$	11.52	12	12.48	V
		$V_{IN}=14.5\sim 27V, I_{OUT}=5mA\sim 0.5A$	11.4		12.6	V
Load Regulation	$\Delta V_{OUT}$	$I_{OUT}=5mA\sim 0.5A$			120	mV
		$I_{OUT}=5mA\sim 200mA$			60	mV
Line Regulation	$\Delta V_{OUT}$	$V_{IN}=14.5\sim 30V$			120	mV
		$V_{IN}=14.6\sim 27V, I_{OUT}=0.5A$			120	mV
Quiescent Current	$I_Q$	$I_{OUT}=0.5A$			8	mA
Quiescent Current Change	$\Delta I_Q$	$V_{IN}=14.5\sim 30V$			1	mA
		$I_{OUT}=5mA\sim 0.5A$			0.5	mA
Output Noise Voltage	eN	$10Hz\leq f\leq 100kHz$		75		$\mu V$
Temperature coefficient of $V_{OUT}$	$\Delta V_{OUT}/\Delta T$	$I_{OUT}=5mA$		-1.5		$mV/^\circ C$
Ripple Rejection	RR	$V_{IN}=15\sim 25V, f=120Hz$	55	72		dB
Peak Output Current	$I_{PEAK}$			1.2		A
Short-Circuit Current	$I_{SC}$	$V_{IN}=V_{OUT}+19V$		250		mA
Dropout Voltage	$V_D$			2		V

For 78D15 ( $V_{IN}=23V$ ,  $I_{OUT}=0.5A$ ,  $C_I=0.33\mu F$ ,  $C_O=0.1\mu F$ )

PARAMETER	SYMBOL	TEST CONDITIONS	MIN	TYP	MAX	UNIT
Output Voltage	$V_{OUT}$	$I_{OUT}=5mA\sim 0.5A$	14.4	15	15.6	V
		$V_{IN}=17.5\sim 30V, I_{OUT}=5mA\sim 0.5A$	14.25		15.75	V
Load Regulation	$\Delta V_{OUT}$	$I_{OUT}=5mA\sim 0.5A$			150	mV
		$I_{OUT}=5mA\sim 200mA$			75	mV
Line Regulation	$\Delta V_{OUT}$	$V_{IN}=18.5\sim 30V$			150	mV
		$V_{IN}=17.5\sim 30V, I_{OUT}=0.5A$			150	mV
Quiescent Current	$I_Q$	$I_{OUT}=0.5A$			8	mA
Quiescent Current Change	$\Delta I_Q$	$V_{IN}=17.5\sim 30V$			1	mA
		$I_{OUT}=5mA\sim 0.5A$			0.5	mA
Output Noise Voltage	eN	$10Hz\leq f\leq 100kHz$		90		$\mu V$
Temperature coefficient of $V_{OUT}$	$\Delta V_{OUT}/\Delta T$	$I_{OUT}=5mA$		-1.8		$mV/^\circ C$
Ripple Rejection	RR	$V_{IN}=18.5\sim 28.5V, f=120Hz$	54	70		dB
Peak Output Current	$I_{PEAK}$			1.2		A
Short-Circuit Current	$I_{SC}$	$V_{IN}=V_{OUT}+19V$		250		mA
Dropout Voltage	$V_D$			2		V

■ ELECTRICAL CHARACTERISTICS(Cont.)

For 78D18 ( $V_{IN}=27V$ ,  $I_{OUT}=0.5A$ )

PARAMETER	SYMBOL	TEST CONDITIONS	MIN	TYP	MAX	UNIT
Output Voltage	$V_{OUT}$	$I_{OUT}=5mA\sim 0.5A$	17.28	18	18.72	V
		$V_{IN}=21\sim 33V, I_{OUT}=5mA\sim 0.5A$	17.1		18.9	V
Load Regulation	$\Delta V_{OUT}$	$I_{OUT}=5mA\sim 0.5A$			180	mV
		$I_{OUT}=5mA\sim 200mA$			90	mV
Line Regulation	$\Delta V_{OUT}$	$V_{IN}=21\sim 33V$			180	mV
		$V_{IN}=21\sim 33V, I_{OUT}=0.5A$			180	mV
Quiescent Current	$I_Q$	$I_{OUT}=0.5A$			8	mA
Quiescent Current Change	$\Delta I_Q$	$V_{IN}=21.5\sim 33V$			1	mA
		$I_{OUT}=5mA\sim 0.5A$			0.5	mA
Output Noise Voltage	eN	$10Hz\leq f\leq 100kHz$		110		$\mu V$
Temperature coefficient of $V_{OUT}$	$\Delta V_{OUT}/\Delta T$	$I_{OUT}=5mA$		-2.2		$mV/^\circ C$
Ripple Rejection	RR	$V_{IN}=22\sim 32V, f=120Hz$	53	69		dB
Peak Output Current	$I_{PEAK}$			1.2		A
Short-Circuit Current	$I_{SC}$	$V_{IN}=35V$		250		mA
Dropout Voltage	$V_D$			2		V

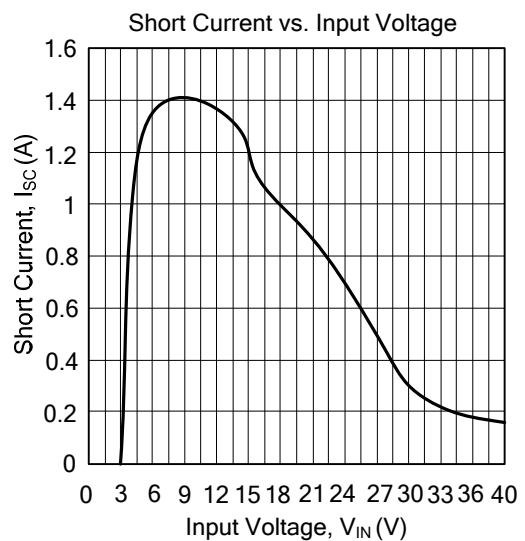
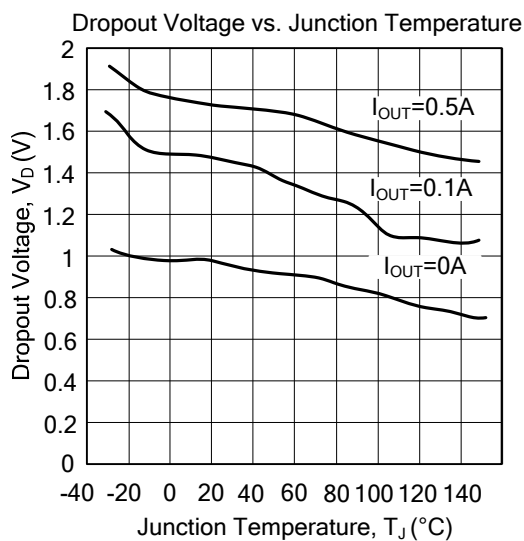
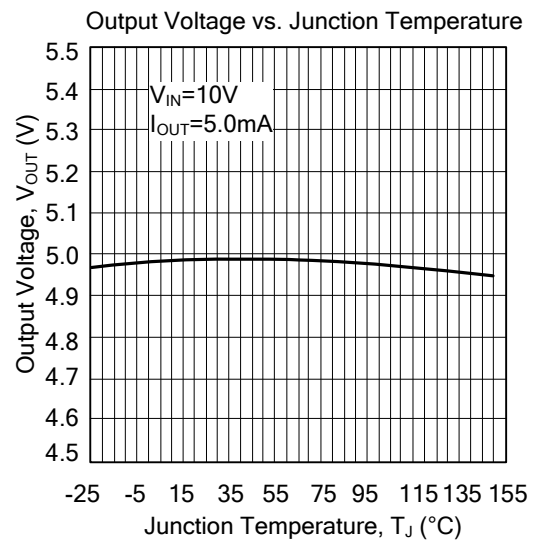
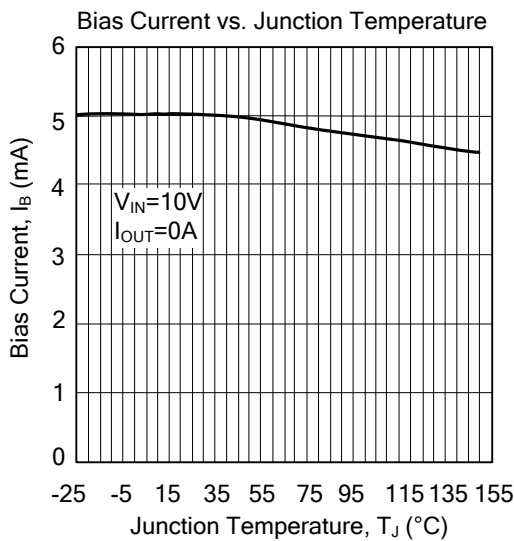
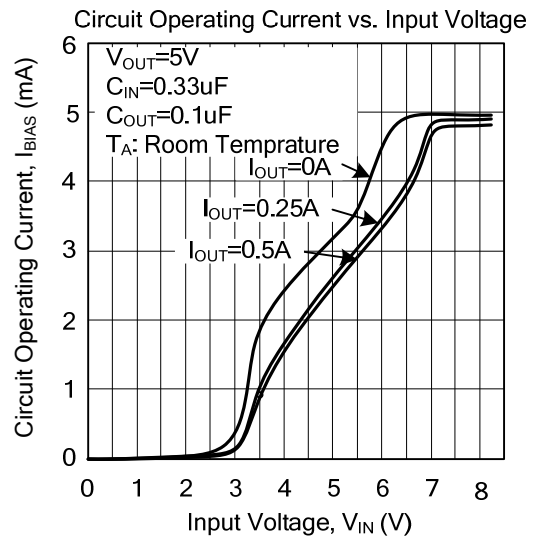
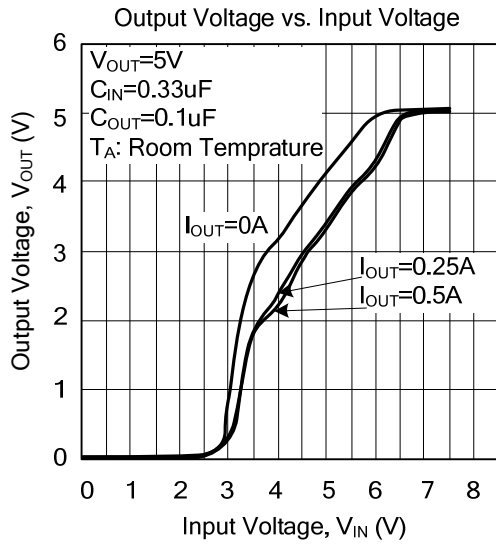
For 78D20 ( $V_{IN}=29V$ ,  $I_{OUT}=0.5A$ )

PARAMETER	SYMBOL	TEST CONDITIONS	MIN	TYP	MAX	UNIT
Output Voltage	$V_{OUT}$	$I_{OUT}=5mA\sim 0.5A$	19.20	20.0	20.80	V
		$V_{IN}=23\sim 35V, I_{OUT}=5mA\sim 0.5A$	19.00		21.00	V
Load Regulation	$\Delta V_{OUT}$	$I_{OUT}=5mA\sim 0.5A$			200	mV
		$I_{OUT}=5mA\sim 200mA$			100	mV
Line Regulation	$\Delta V_{OUT}$	$V_{IN}=23\sim 35V$			200	mV
		$V_{IN}=23\sim 35V, I_{OUT}=0.5A$			200	mV
Quiescent Current	$I_Q$	$I_{OUT}\leq 0.5A$			8	mA
Quiescent Current Change	$\Delta I_Q$	$V_{IN}=23.5\sim 35V$			1	mA
		$I_{OUT}=5mA\sim 0.5A$			0.5	mA
Output Noise Voltage	eN	$10Hz\leq f\leq 100kHz$		130		$\mu V$
Temperature coefficient of $V_{OUT}$	$\Delta V_{OUT}/\Delta T$	$I_{OUT}=5mA$		-2.6		$mV/^\circ C$
Ripple Rejection	RR	$V_{IN}=24\sim 34V, f=120Hz$	52	68		dB
Peak Output Current	$I_{PEAK}$			1.2		A
Short-Circuit Current	$I_{SC}$	$V_{IN}=35V$		250		mA
Dropout Voltage	$V_D$			2.0		V

For 78D24 ( $V_{IN}=33V$ ,  $I_{OUT}=0.5A$ )

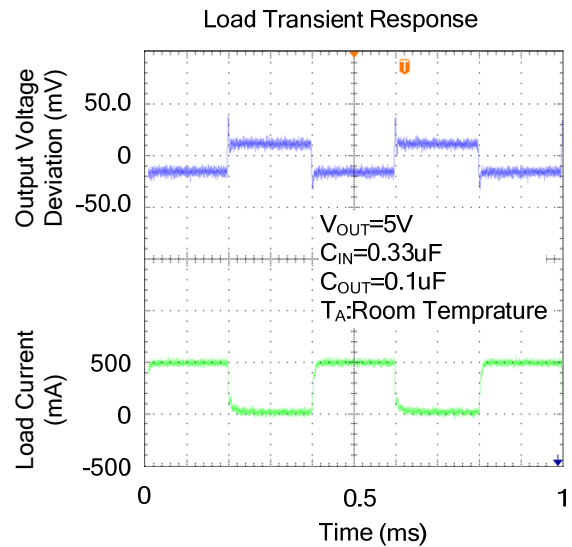
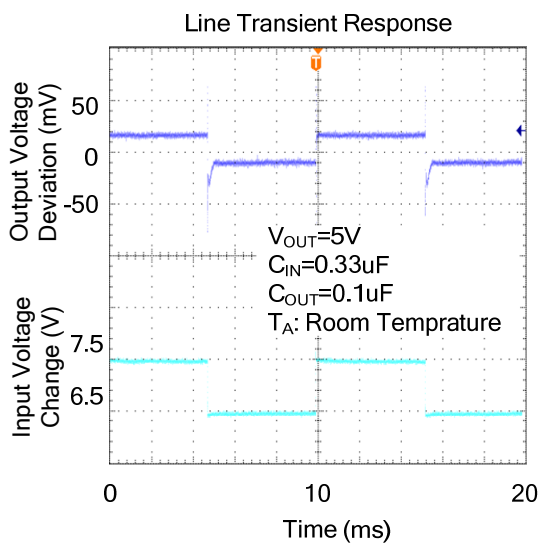
PARAMETER	SYMBOL	TEST CONDITIONS	MIN	TYP	MAX	UNIT
Output Voltage	$V_{OUT}$	$I_{OUT}=5mA\sim 0.5A$	23.04	24	24.96	V
		$V_{IN}=27\sim 38V, I_{OUT}=5mA\sim 0.5A$	22.8		25.2	V
Load Regulation	$\Delta V_{OUT}$	$I_{OUT}=5mA\sim 0.5A$			240	mV
		$I_{OUT}=5mA\sim 200mA$			120	mV
Line Regulation	$\Delta V_{OUT}$	$V_{IN}=27\sim 38V$			240	mV
		$V_{IN}=27\sim 38V, I_{OUT}=0.5A$			240	mV
Quiescent Current	$I_Q$	$I_{OUT}=0.5A$			8	mA
Quiescent Current Change	$\Delta I_Q$	$V_{IN}=28\sim 38V$			1	mA
		$I_{OUT}=5mA\sim 0.5A$			0.5	mA
Output Noise Voltage	eN	$10Hz\leq f\leq 100kHz$		170		$\mu V$
Temperature coefficient of $V_{OUT}$	$\Delta V_{OUT}/\Delta T$	$I_{OUT}=5mA$		-2.8		$mV/^\circ C$
Ripple Rejection	RR	$V_{IN}=28\sim 38V, f=120Hz$	50	66		dB
Peak Output Current	$I_{PEAK}$			1.2		A
Short-Circuit Current	$I_{SC}$	$V_{IN}=35V$		250		mA
Dropout Voltage	$V_D$			2		V

■ TYPICAL CHARACTERISTICS





■ TYPICAL CHARACTERISTICS (Cont.)



UTC assumes no responsibility for equipment failures that result from using products at values that exceed, even momentarily, rated values (such as maximum ratings, operating condition ranges, or other parameters) listed in products specifications of any and all UTC products described or contained herein. UTC products are not designed for use in life support appliances, devices or systems where malfunction of these products can be reasonably expected to result in personal injury. Reproduction in whole or in part is prohibited without the prior written consent of the copyright owner. The information presented in this document does not form part of any quotation or contract, is believed to be accurate and reliable and may be changed without notice.

## X-ON Electronics

Largest Supplier of Electrical and Electronic Components

*Click to view similar products for [Linear Voltage Regulators](#) category:*

*Click to view products by [Unisonic](#) manufacturer:*

Other Similar products are found below :

[LV56831P-E](#) [LV5684PVD-XH](#) [MCDTSA6-2R](#) [L7815ACV-DG](#) [PQ3DZ53U](#) [LV56801P-E](#) [TLE42794G](#) [L78L05CZ/1SX](#) [L78LR05DL-MA-E](#) [636416C](#) [714954EB](#) [BA033LBSG2-TR](#) [LV5680P-E](#) [L78M15CV-DG](#) [TLS202B1MBV33HTSA1](#) [L79M05T-E](#) [TLS202A1MBVHTSA1](#) [L78LR05D-MA-E](#) [NCV317MBTG](#) [NTE7227](#) [LV5680NPVC-XH](#) [LT1054CN8](#) [MP2018GZD-5-Z](#) [MP2018GZD-33-Z](#) [MIC5281-3.3YMM](#) [RT9078-28GQZ](#) [MC78L06BP-AP](#) [TA48LS05F\(TE85L,F\)](#) [TC47BR5003ECT](#) [TCR2LN12,LF\(S](#) [TCR2LN28,LF\(S](#) [TCR2LN30,LF\(S](#) [TCR3DF295,LM\(CT](#) [TCR3DF40,LM\(CT](#) [BA178M20CP-E2](#) [L78M12ABDT](#) [LR645N3-G-P003](#) [LR645N3-G-P013](#) [ZXTR2005P5-13](#) [SCD7812BTG](#) [TCR3DF335,LM\(CT](#) [TLE42994E V33](#) [ZXTR2008K-13](#) [ZXTR2005K-13](#) [L88R05DL-E](#) [ADP3300ARTZ-2.7RL7](#) [LM120K-15/883](#) [IFX54441LDVXUMA1](#) [LM317D2T-TR](#) [LM350T/NOPB](#)