



78NXX

LINEAR INTEGRATED CIRCUIT

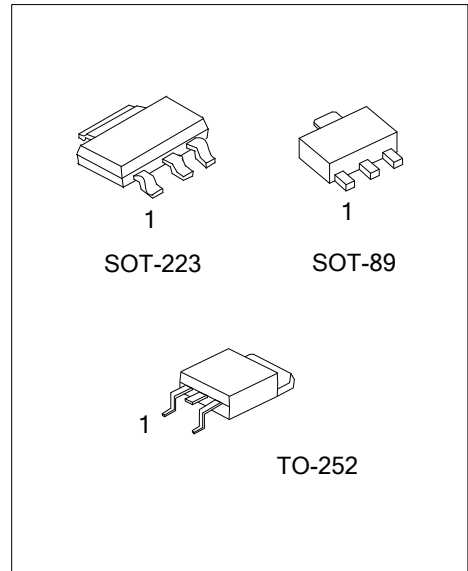
3-TERMINAL 300mA POSITIVE VOLTAGE REGULATOR

DESCRIPTION

The UTC **78NXX** family is monolithic fixed voltage regulator integrated circuit. They are suitable for applications requiring supply current up to 300mA.

FEATURES

- * Output Current up to 300mA
- * Fixed Output Voltage of 5V, 6V, 8V, 9V, 15V, 18V, 24V
- * Thermal Overload Shutdown Protection
- * Short Circuit Current Limiting



ORDERING INFORMATION

Ordering Number		Package	Pin Assignment			Packing
Lead Free	Halogen Free		1	2	3	
78NXXL-AB3-R	78NXXG-AB3-R	SOT-89	O	G	I	Tape Reel
78NXXL-AA3-R	78NXXG-AA3-R	SOT-223	O	G	I	Tape Reel
78NXXL-TN3-R	78NXXG-TN3-R	TO-252	I	G	O	Tape Reel

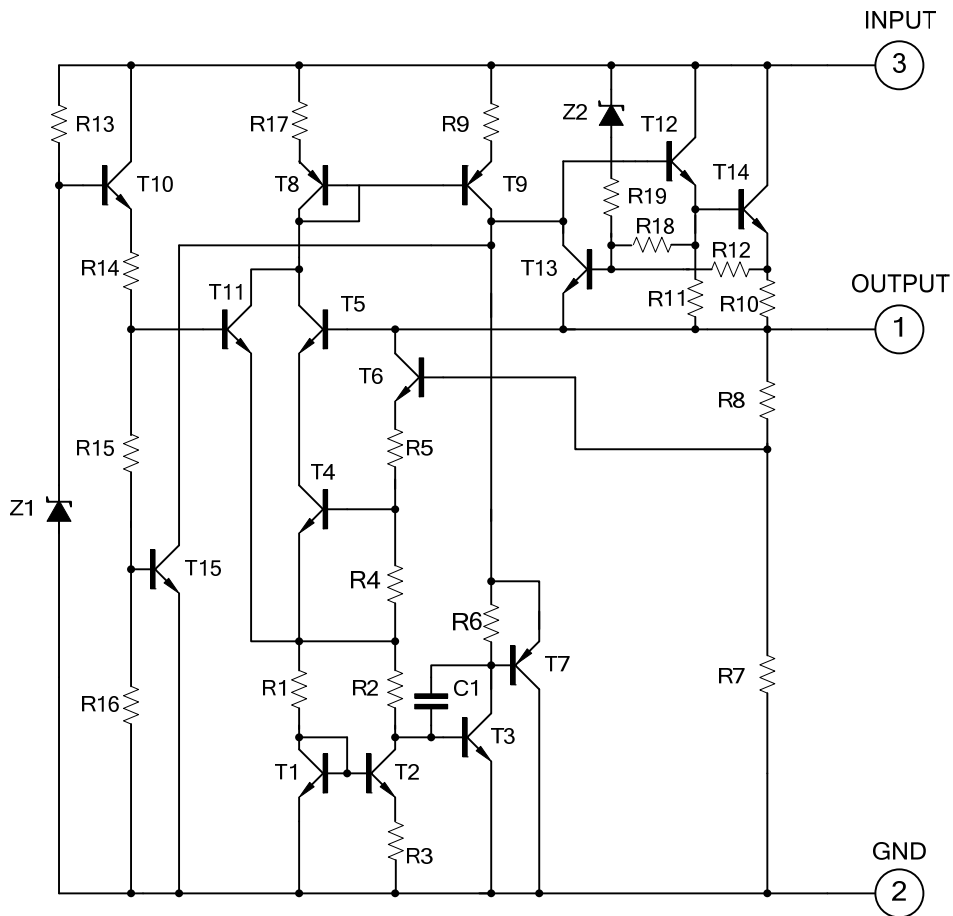
Note: XX: Output Voltage, refer to Marking Information

<p>78NXXG-AB3-R</p> <p>(1) Packing Type (2) Package Type (3) Green Package (4) Output Voltage Code</p>	<p>(1) R: Tape Reel (2) AB3: SOT-89, AA3: SOT-223, TN3: TO-252 (3) G: Halogen Free and Lead Free, L: Lead Free (4) xx: Refer to Marking Information</p>
--	---

MARKING INFORMATION

PACKAGE	VOLTAGE CODE	MARKING
SOT-89	05: 5.0V 06: 6.0V 08: 8.0V 09: 9.0V 15: 15V 18: 18V 24: 24V	
SOT-223		
TO-252		

BLOCK CIRCUIT



■ ABSOLUTE MAXIMUM RATING (Operating temperature range applies, unless otherwise specified.)

PARAMETER		SYMBOL	RATINGS	UNIT
Input Voltage	$V_{OUT}=5\sim 9V$	V_{IN}	30	V
	$V_{OUT}=10\sim 18V$		35	V
Output Current		I_{OUT}	300	mA
Power Dissipation	SOT-89	P_D	550	mW
	SOT-223		750	
	TO-252		1000	
Operating Temperature (Note 2)		T_{OPR}	-40 ~ +150	°C
Storage Temperature		T_{STG}	-55 ~ +150	°C

Notes: 1. Absolute maximum ratings are those values beyond which the device could be permanently damaged.

Absolute maximum ratings are stress ratings only and functional device operation is not implied.

2. It is guarantee by design, not 100% be tested.

■ ELECTRICAL CHARACTERISTICS

(0°C < T_J < 125°C, $C_1=0.33\mu F$, $C_0=0.1\mu F$, unless otherwise specified) (Note 1)

For 78N05 ($V_{IN}=10V$, $I_{OUT}=40mA$)

PARAMETER	SYMBOL	TEST CONDITIONS	MIN	TYP	MAX	UNIT
Output Voltage	V_{OUT}	$T_J=25^\circ C$	4.80	5.0	5.20	V
		$7V \leq V_{IN} \leq V_{MAX}$ $I_{OUT}=1mA \sim 300mA$ (Note 2)	4.75		5.25	V
Load Regulation	ΔV_{OUT}	$T_J=25^\circ C$, $I_{OUT}=1mA \sim 300mA$		11	60	mV
		$T_J=25^\circ C$, $I_{OUT}=1mA \sim 40mA$		5.0	30	mV
Line Regulation	ΔV_{OUT}	$7V \leq V_{IN} \leq 20V$, $T_J=25^\circ C$		8	150	mV
		$8V \leq V_{IN} \leq 20V$, $T_J=25^\circ C$		6	100	mV
Quiescent Current	I_Q			2.0	5.5	mA
Quiescent Current Change	ΔI_Q	$8V \leq V_{IN} \leq 20V$			1.5	mA
		$1mA \leq V_{IN} \leq 40mA$			0.1	mA
Output Noise Voltage	e_N	$10Hz \leq f \leq 100kHz$		40		μV
Temperature Coefficient of V_{OUT}	$\Delta V_O/\Delta T$	$I_{OUT}=5mA$		-0.65		mV/°C
Ripple Rejection	RR	$8V \leq V_{IN} \leq 20V$, $f=120Hz$, $T_J=25^\circ C$	41	80		dB
Dropout Voltage	V_D	$T_J=25^\circ C$		1.7		V

For 78N06 ($V_{IN}=12V$, $I_{OUT}=40mA$)

PARAMETER	SYMBOL	TEST CONDITIONS	MIN	TYP	MAX	UNIT
Output Voltage	V_{OUT}	$T_J=25^\circ C$	5.76	6.0	6.24	V
		$8.5V \leq V_{IN} \leq V_{MAX}$, $I_{OUT}=1mA \sim 300mA$ (Note 2)	5.7		6.3	V
Load Regulation	ΔV_{OUT}	$T_J=25^\circ C$, $I_{OUT}=1mA \sim 300mA$		12.8	80	mV
		$T_J=25^\circ C$, $I_{OUT}=1mA \sim 40mA$		5.8	40	mV
Line Regulation	ΔV_{OUT}	$8.5V \leq V_{IN} \leq 20V$, $T_J=25^\circ C$		64	175	mV
		$9V \leq V_{IN} \leq 20V$, $T_J=25^\circ C$		54	125	mV
Quiescent Current	I_Q			2.0	5.5	mA
Quiescent Current Change	ΔI_Q	$9V \leq V_{IN} \leq 20V$			1.5	mA
		$1mA \leq V_{IN} \leq 40mA$			0.1	mA
Output Noise Voltage	e_N	$10Hz \leq f \leq 100kHz$		49		μV
Temperature Coefficient of V_{OUT}	$\Delta V_O/\Delta T$	$I_{OUT}=5mA$		0.75		mV/°C
Ripple Rejection	RR	$10V \leq V_{IN} \leq 20V$, $f=120Hz$, $T_J=25^\circ C$	40	46		dB
Dropout Voltage	V_D	$T_J=25^\circ C$		1.7		V

■ ELECTRICAL CHARACTERISTICS (Cont.)

For 78N08 ($V_{IN}=14V$, $I_{OUT}=40mA$)

PARAMETER	SYMBOL	TEST CONDITIONS	MIN	TYP	MAX	UNIT
Output Voltage	V_{OUT}	$T_J=25^{\circ}C$	7.68	8.0	8.32	V
		$10.5V \leq V_{IN} \leq V_{MAX}$, $I_{OUT}=1mA \sim 300mA$ (Note 2)	7.60		8.40	V
Load Regulation	ΔV_{OUT}	$T_J=25^{\circ}C$, $I_{OUT}=1mA \sim 300mA$		15	80	mV
		$T_J=25^{\circ}C$, $I_{OUT}=1mA \sim 40mA$		8	40	mV
Line Regulation	ΔV_{OUT}	$10.5V \leq V_{IN} \leq 23V$, $T_J=25^{\circ}C$		10	175	mV
		$11V \leq V_{IN} \leq 23V$, $T_J=25^{\circ}C$		8	125	mV
Quiescent Current	I_Q			2.0	5.5	mA
Quiescent Current Change	ΔI_Q	$11V \leq V_{IN} \leq 23V$			1.5	mA
		$1mA \leq V_{IN} \leq 40mA$			0.1	mA
Output Noise Voltage	e_N	$10Hz \leq f \leq 100kHz$		49		μV
Temperature Coefficient of V_{OUT}	$\Delta V_O/\Delta T$	$I_{OUT}=5mA$		0.75		$mV/^{\circ}C$
Ripple Rejection	RR	$11V \leq V_{IN} \leq 23V$, $f=120Hz$, $T_J=25^{\circ}C$	39	70		dB
Dropout Voltage	V_D	$T_J=25^{\circ}C$		1.7		V

For 78N09 ($V_{IN}=15V$, $I_{OUT}=40mA$)

PARAMETER	SYMBOL	TEST CONDITIONS	MIN	TYP	MAX	UNIT
Output Voltage	V_{OUT}	$T_J=25^{\circ}C$	8.64	9.0	9.36	V
		$10.5V \leq V_{IN} \leq V_{MAX}$, $I_{OUT}=1mA \sim 300mA$ (Note 2)	8.55		9.45	V
Load Regulation	ΔV_{OUT}	$T_J=25^{\circ}C$, $I_{OUT}=1mA \sim 300mA$		16	90	mV
		$T_J=25^{\circ}C$, $I_{OUT}=1mA \sim 40mA$		9	40	mV
Line Regulation	ΔV_{OUT}	$11.5V \leq V_{IN} \leq 24V$, $T_J=25^{\circ}C$		90	200	mV
		$13V \leq V_{IN} \leq 24V$, $T_J=25^{\circ}C$		100	150	mV
Quiescent Current	I_Q			2.0	5.5	mA
Quiescent Current Change	ΔI_Q	$13V \leq V_{IN} \leq 24V$			1.5	mA
		$1mA \leq V_{IN} \leq 40mA$			0.1	mA
Output Noise Voltage	e_N	$10Hz \leq f \leq 100kHz$		70		μV
Temperature Coefficient of V_{OUT}	$\Delta V_O/\Delta T$	$I_{OUT}=5mA$		0.75		$mV/^{\circ}C$
Ripple Rejection	RR	$12V \leq V_{IN} \leq 24V$, $f=120Hz$, $T_J=25^{\circ}C$	38	44		dB
Dropout Voltage	V_D	$T_J=25^{\circ}C$		1.7		V

For 78N15 ($V_{IN}=23V$, $I_{OUT}=40mA$)

PARAMETER	SYMBOL	TEST CONDITIONS	MIN	TYP	MAX	UNIT
Output Voltage	V_{OUT}	$T_J=25^{\circ}C$	14.40	15	15.60	V
		$17.5V \leq V_{IN} \leq V_{MAX}$, $I_{OUT}=1mA \sim 300mA$ (Note 2)	14.25		15.75	V
Load Regulation	ΔV_{OUT}	$T_J=25^{\circ}C$, $I_{OUT}=1mA \sim 300mA$		20	150	mV
		$T_J=25^{\circ}C$, $I_{OUT}=1mA \sim 40mA$		25	150	mV
Line Regulation	ΔV_{OUT}	$17.5V \leq V_{IN} \leq 30V$, $T_J=25^{\circ}C$		25	150	mV
		$20V \leq V_{IN} \leq 30V$, $T_J=25^{\circ}C$		15	75	mV
Quiescent Current	I_Q			2.2	6.5	mA
Quiescent Current Change	ΔI_Q	$20V \leq V_{IN} \leq 30V$			1.5	mA
		$1mA \leq V_{IN} \leq 40mA$			0.1	mA
Output Noise Voltage	e_N	$10Hz \leq f \leq 100kHz$		90		μV
Temperature Coefficient of V_{OUT}	$\Delta V_O/\Delta T$	$I_{OUT}=5mA$		1.3		$mV/^{\circ}C$
Ripple Rejection	RR	$18.5V \leq V_{IN} \leq 28.5V$, $f=120Hz$, $T_J=25^{\circ}C$	34	63		dB
Dropout Voltage	V_D	$T_J=25^{\circ}C$		1.7		V

■ ELECTRICAL CHARACTERISTICS (Cont.)

For 78N18 ($V_{IN}=27V$, $I_{OUT}=40mA$)

PARAMETER	SYMBOL	TEST CONDITIONS	MIN	TYP	MAX	UNIT
Output Voltage	V_{OUT}	$T_J=25^{\circ}C$	17.28	18	18.72	V
		$21V \leq V_{IN} \leq V_{MAX}$, $I_{OUT}=1mA \sim 300mA$ (Note 2)	17.10		18.90	V
Load Regulation	ΔV_{OUT}	$T_J=25^{\circ}C$, $I_{OUT}=1mA \sim 300mA$		25	180	mV
		$T_J=25^{\circ}C$, $I_{OUT}=1mA \sim 40mA$		13	90	mV
Line Regulation	ΔV_{OUT}	$21V \leq V_{IN} \leq 33V$, $T_J=25^{\circ}C$		145	300	mV
		$22V \leq V_{IN} \leq 33V$, $T_J=25^{\circ}C$		135	250	mV
Quiescent Current	I_Q			2.2	6.5	mA
Quiescent Current Change	ΔI_Q	$21V \leq V_{IN} \leq 33V$			1.5	mA
		$1mA \leq V_{IN} \leq 40mA$			0.1	mA
Output Noise Voltage	e_N	$10Hz \leq f \leq 100kHz$		150		μV
Temperature Coefficient of V_{OUT}	$\Delta V_O/\Delta T$	$I_{OUT}=5mA$		1.8		$mV/^{\circ}C$
Ripple Rejection	RR	$23V \leq V_{IN} \leq 28.5V$, $f=120Hz$, $T_J=25^{\circ}C$		48		dB
Dropout Voltage	V_D	$T_J=25^{\circ}C$	32	1.7		V

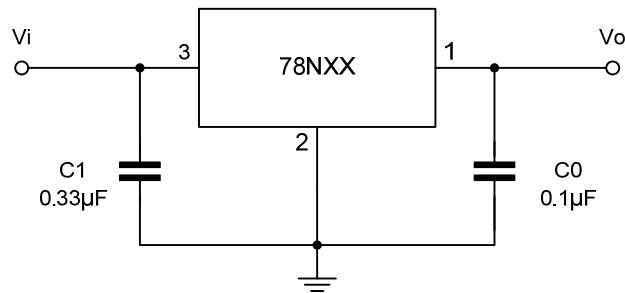
For 78N24 ($V_{IN}=33V$, $I_{OUT}=40mA$)

PARAMETER	SYMBOL	TEST CONDITIONS	MIN	TYP	MAX	UNIT
Output Voltage	V_{OUT}	$T_J=25^{\circ}C$	23.04	24.00	24.96	V
		$27V \leq V_{IN} \leq V_{MAX}$, $I_{OUT}=1mA \sim 300mA$ (Note 2)	22.80		25.20	V
Load Regulation	ΔV_{OUT}	$T_J=25^{\circ}C$, $I_{OUT}=1mA \sim 300mA$		30	200	mV
		$T_J=25^{\circ}C$, $I_{OUT}=1mA \sim 40mA$		20	100	mV
Line Regulation	ΔV_{OUT}	$27V \leq V_{IN} \leq 35V$, $T_J=25^{\circ}C$		160	300	mV
		$28V \leq V_{IN} \leq 35V$, $T_J=25^{\circ}C$		150	250	mV
Quiescent Current	I_Q			2.5	7.0	mA
Quiescent Current Change	ΔI_Q	$27V \leq V_{IN} \leq 35V$			1.5	mA
		$1mA \leq V_{IN} \leq 40mA$			0.1	mA
Output Noise Voltage	e_N	$10Hz \leq f \leq 100kHz$		200		μV
Temperature Coefficient of V_{OUT}	$\Delta V_O/\Delta T$	$I_{OUT}=5mA$		2.0		$mV/^{\circ}C$
Ripple Rejection	RR	$27V \leq V_{IN} \leq 35V$, $f=120Hz$, $T_J=25^{\circ}C$	30	45		dB
Dropout Voltage	V_D	$T_J=25^{\circ}C$		1.7		V

Notes: 1. The Maximum steady state usable output current are dependent on input voltage, heat sinking, lead length of the package and copper pattern of PCB. The data above represent pulse test conditions with junction temperatures specified at the initiation of test.

2. Power dissipation < 0.5W

■ TYPICAL APPLICATION CIRCUIT



- Notes: 1. To specify an output voltage, substitute voltage value for "XX".
2. Bypass capacitors are recommended for optimum stability and transient response and should be located as close as possible to the regulators.

TYPICAL CHARACTERISTICS

Fig.1 Ambient Temperature vs. Power Dissipation

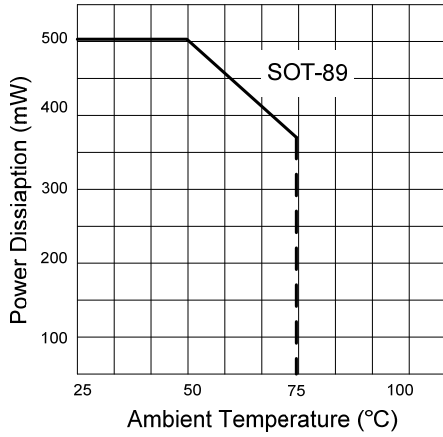


Fig.2 78N05 Output Voltage vs. Ambient Temperature

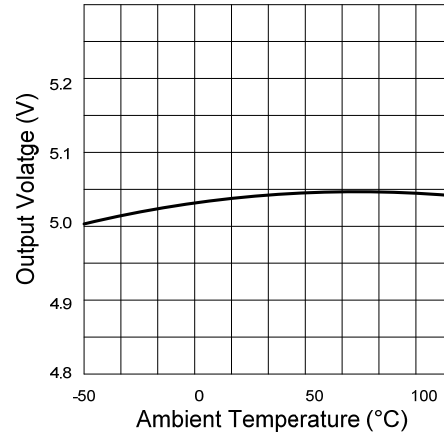


Fig.3 78N08 Output Voltage vs. Ambient Temperature

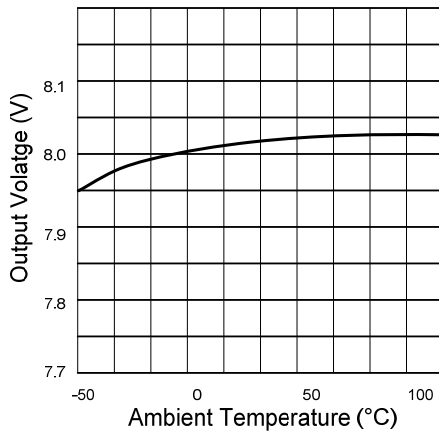


Fig.4 Output Characteristics (I_{OUT}=0mA, T_J=25°C)

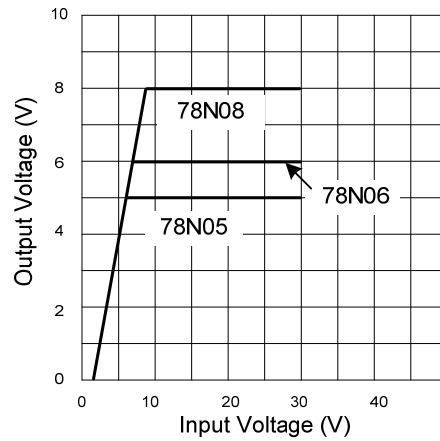


Fig.5 78N05 Dropout Characteristics (T_J=25°C)

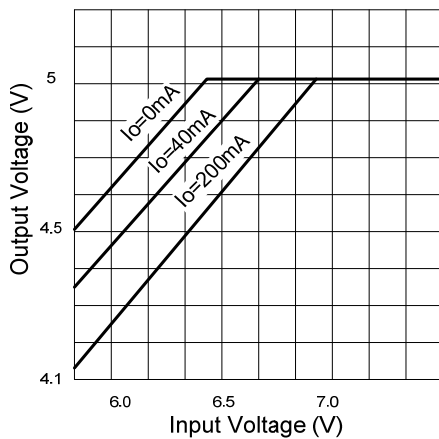
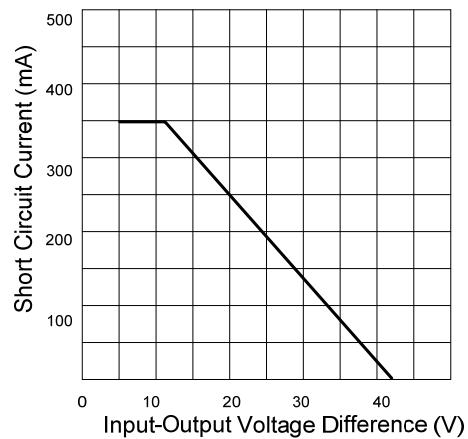


Fig.6 Short Circuit Output Current (T_J=25°C)



■ TYPICAL CHARACTERISTICS(Cont.)

Fig.7 78N05 Quiescent Current vs. Input Voltage ($I_{out}=0mA, T_J=25^{\circ}C$)

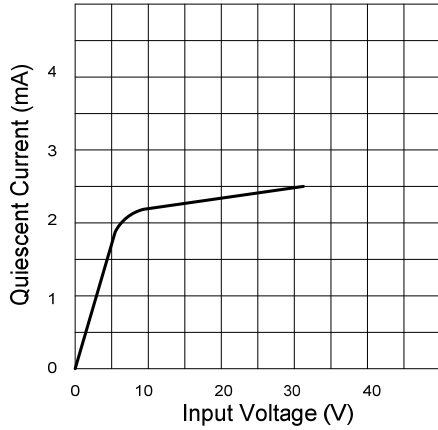
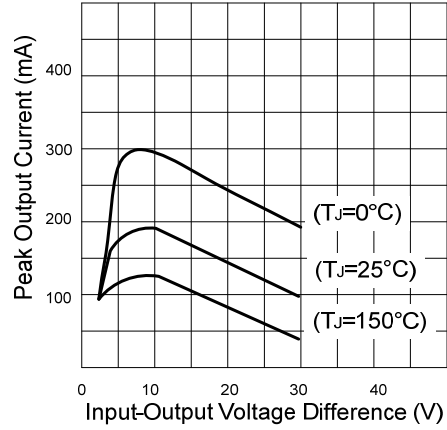


Fig.8 Peak Output Current vs Dropout Voltage Difference



UTC assumes no responsibility for equipment failures that result from using products at values that exceed, even momentarily, rated values (such as maximum ratings, operating condition ranges, or other parameters) listed in products specifications of any and all UTC products described or contained herein. UTC products are not designed for use in life support appliances, devices or systems where malfunction of these products can be reasonably expected to result in personal injury. Reproduction in whole or in part is prohibited without the prior written consent of the copyright owner. The information presented in this document does not form part of any quotation or contract, is believed to be accurate and reliable and may be changed without notice.

X-ON Electronics

Largest Supplier of Electrical and Electronic Components

Click to view similar products for [Linear Voltage Regulators](#) category:

Click to view products by [Unisonic](#) manufacturer:

Other Similar products are found below :

[LV56831P-E](#) [LV5684PVD-XH](#) [MCDTSA6-2R](#) [L7815ACV-DG](#) [PQ3DZ53U](#) [LV56801P-E](#) [TLE42794G](#) [L78L05CZ/1SX](#) [L78LR05DL-MA-E](#) [636416C](#) [714954EB](#) [BA033LBSG2-TR](#) [LV5680P-E](#) [L78M15CV-DG](#) [TLS202B1MBV33HTSA1](#) [L79M05T-E](#) [TLS202A1MBVHTSA1](#) [L78LR05D-MA-E](#) [NCV317MBTG](#) [NTE7227](#) [LV5680NPVC-XH](#) [LT1054CN8](#) [MP2018GZD-5-Z](#) [MP2018GZD-33-Z](#) [MIC5281-3.3YMM](#) [RT9078-28GQZ](#) [MC78L06BP-AP](#) [TA48LS05F\(TE85L,F\)](#) [TC47BR5003ECT](#) [TCR2LN12,LF\(S](#) [TCR2LN28,LF\(S](#) [TCR2LN30,LF\(S](#) [TCR3DF295,LM\(CT](#) [TCR3DF40,LM\(CT](#) [BA178M20CP-E2](#) [L78M05TL-TL-E](#) [L78M12ABDT](#) [LR645N3-G-P003](#) [LR645N3-G-P013](#) [ZXTR2005P5-13](#) [SCD7812BTG](#) [TCR3DF335,LM\(CT](#) [TLE42994E V33](#) [ZXTR2008K-13](#) [ZXTR2005K-13](#) [L88R05DL-E](#) [ADP3300ARTZ-2.7RL7](#) [LM120K-15/883](#) [IFX54441LDVXUMA1](#) [LM317D2T-TR](#)