



LP2950/2951

LINEAR INTEGRATED CIRCUIT

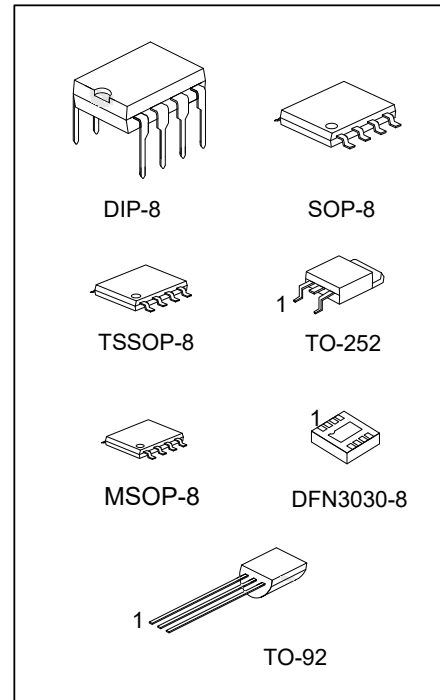
100 mA LOW-DROPOUT VOLTAGE REGULATOR

DESCRIPTION

The UTC **LP2950/2951** are monolithic integrated voltage regulators with low dropout voltage, and low quiescent current. It includes many features that suitable for different applications.

FEATURES

- * Fixed output versions, 2.5V, 3.0V, 3.3V, 3.6V and 5.0V, are available
- * High accuracy output voltage
- * Extremely low quiescent current and dropout voltage
- * Extremely tight load and line regulation
- * Current and thermal limiting
- * Very low temperature coefficient
- * Logic controlled shutdown and err flog available for 8 pin package
- * Output voltage programmable for **LP2951**



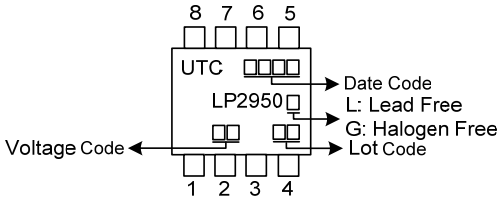
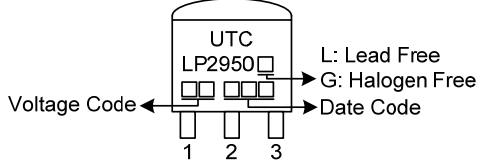
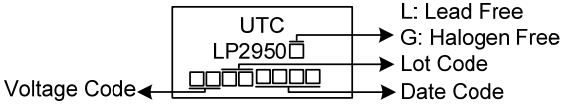
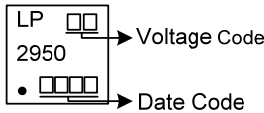
ORDERING INFORMATION

Ordering Number		Package	Packing
Lead Free	Halogen Free		
LP2950L-xx-D08-T	LP2950G-xx-D08-T	DIP-8	Tube
LP2950L-xx-S08-R	LP2950G-xx-S08-R	SOP-8	Tape Reel
LP2950L-xx-SM1-R	LP2950G-xx-SM1-R	MSOP-8	Tape Reel
LP2950L-xx-T92-B	LP2950G-xx-T92-B	TO-92	Tape Box
LP2950L-xx-T92-K	LP2950G-xx-T92-K	TO-92	Bulk
LP2950L-xx-TN3-R	LP2950G-xx-TN3-R	TO-252	Tape Reel
LP2950L-xx-K08-3030-R	LP2950G-xx-K08-3030-R	DFN3030-8	Tape Reel
LP2951L-D08-T	LP2951G-D08-T	DIP-8	Tube
LP2951L-S08-R	LP2951G-S08-R	SOP-8	Tape Reel
LP2951L-SM1-R	LP2951G-SM1-R	MSOP-8	Tape Reel
LP2951L-P08-R	LP2951G-P08-R	TSSOP-8	Tape Reel
LP2951L-K08-3030-R	LP2951G-K08-3030-R	DFN3030-8	Tape Reel
LP2951L-xx-S08-R	LP2951G-xx-S08-R	SOP-8	Tape Reel
LP2951L-xx-SM1-R	LP2951G-xx-SM1-R	MSOP-8	Tape Reel

Note: Pin Assignment: I: V_{IN} O: V_{OUT} G: GND

<p>LP2950G-xx-D08-T</p> <p>(1)Packing Type (2)Package Type (3)Output Voltage Code (4)Green Package</p>	<p>(1) T: Tube, B: Tape Box, K: Bulk, R: Tape Reel (2) D08: DIP-8, S08: SOP-8, SM1: MSOP-8, P08: TSSOP-8, TN3: TO-252, T92: TO-92, K08-3030: DFN3030-8 (3) xx: 25: 2.5V, 30: 3.0V... 50: 5.0V (4) G: Halogen Free and Lead Free, L: Lead Free</p>
--	---

■ MARKING INFORMATION (For LP2950)

PACKAGE	VOLTAGE CODE	MARKING
DIP-8 SOP-8 MSOP-8	25: 2.5V 30: 3.0V 33: 3.3V 36: 3.6V 50: 5.0V	 <p> 8 7 6 5 UTC [] [] [] [] → Date Code LP2950 [] → L: Lead Free [] [] → G: Halogen Free [] [] → Lot Code Voltage Code ← [] [] 1 2 3 4 </p>
TO-92		 <p> UTC LP2950 [] → L: Lead Free [] [] → G: Halogen Free Voltage Code ← [] [] [] → Date Code 1 2 3 </p>
TO-252		 <p> UTC LP2950 [] → L: Lead Free [] [] → G: Halogen Free [] [] → Lot Code Voltage Code ← [] [] [] [] [] → Date Code </p>
DFN3030-8		 <p> LP [] [] → Voltage Code 2950 [] [] [] [] → Date Code </p>

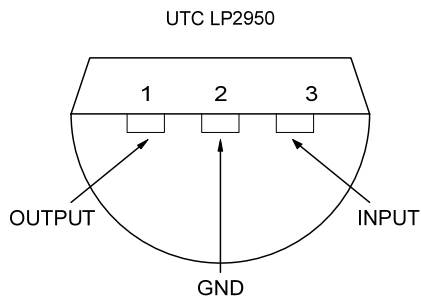
■ MARKING INFORMATION (For LP2951)

DIP-8	SOP-8
MSOP-8	TSSOP-8
DFN3030-8	-
	-

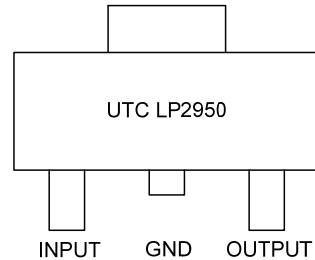
■ MARKING INFORMATION (For LP2951)

PACKAGE	VOLTAGE CODE	MARKING
SOP-8 MSOP-8	30: 3.0V 33: 3.3V	

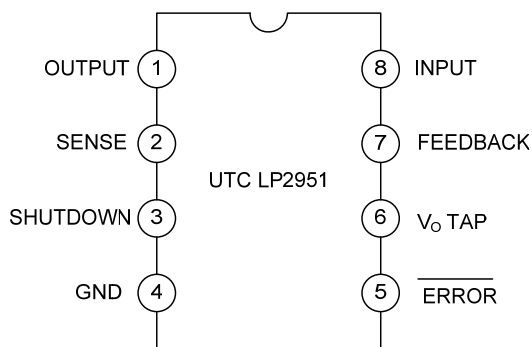
PIN CONFIGURATIONS



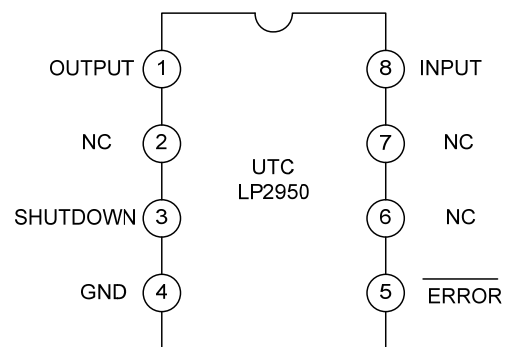
TO-92 Plastic Package Bottom View



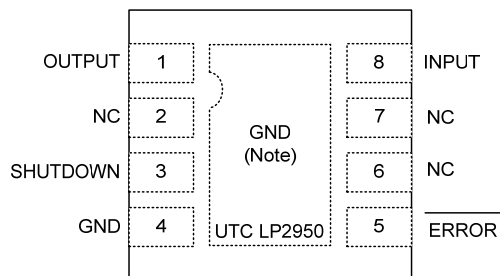
TO-252 Package



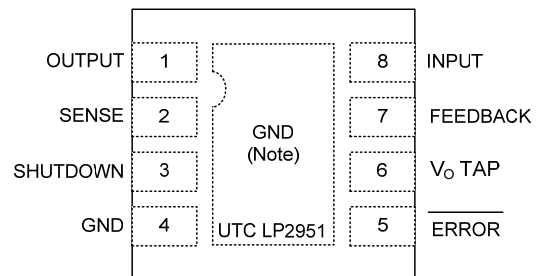
DIP-8, SOP-8, MSOP-8 or TSSOP-8 Package For UTC LP2951



DIP-8, SOP-8 or MSOP-8 Package For UTC LP2950



DFN3030-8 Plastic Package Top View

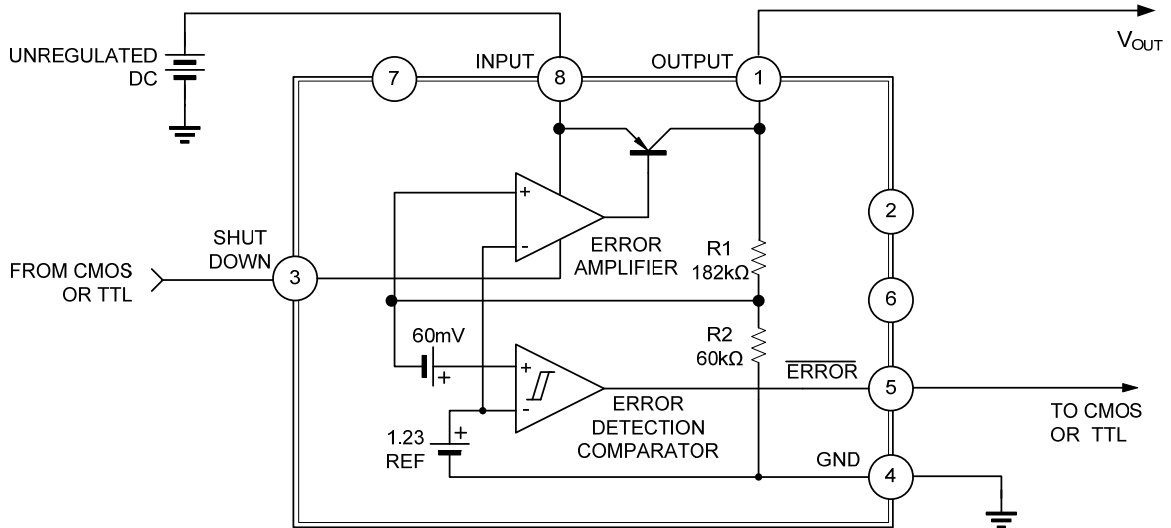


DFN3030-8 Plastic Package Top View

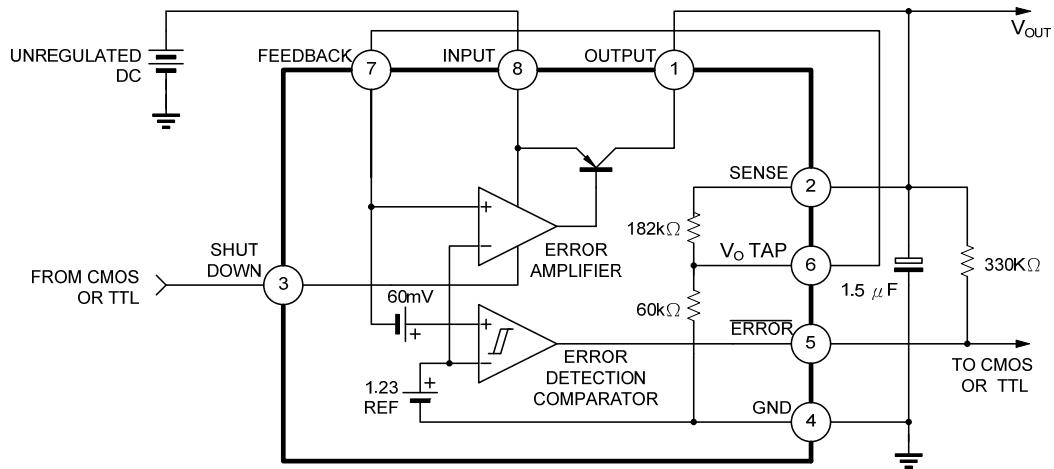
Note: Connect exposed pad to GND.

■ BLOCK DIAGRAM

FOR LP2950



FOR LP2951



■ ABSOLUTE MAXIMUM RATINGS

PARAMETER	SYMBOL	RATINGS	UNIT
Supply Voltage	V_{CC}	-0.3 ~ +30	V
Feedback Voltage	V_{FB}	-1.5 ~ +30	V
Shutdown Voltage	V_{SHDN}	-0.3 ~ +30	V
Power Dissipation	P_D	Internally Limited	W
Operation Junction Temperature	T_J	-40 ~ +125	°C
Storage Temperature	T_{STG}	-65 ~ +150	°C

Note: Absolute maximum ratings are those values beyond which the device could be permanently damaged. Absolute maximum ratings are stress ratings only and functional device operation is not implied.

■ THERMAL DATA

PARAMETER	SYMBOL	RATING	UNIT
Junction-to-Ambient	TO-92	180	°C/W
	TO-252	92	°C/W
	TSSOP-8	150	°C/W
	MSOP-8	190	°C/W
	SOP-8	143	°C/W
	DIP-8	105	°C/W
	DFN3030-8	64 (Note)	°C/W
Junction-to-Case	TO-92	83	°C/W
	TO-252	6	°C/W
	TSSOP-8	50	°C/W
	MSOP-8	55	°C/W
	SOP-8/DIP-8	45	°C/W
	DFN3030-8	9 (Note)	°C/W

Note: The data tested by surface mounted on a 2 inch² FR-4 board with 2OZ copper.

■ ELECTRICAL CHARACTERISTICS ($T_J=25^\circ\text{C}$, $V_{IN}=6\text{V}$, $I_L=100\mu\text{A}$, $C_L=1\mu\text{F}$, unless otherwise specified.)

For All Version:

PARAMETER	SYMBOL	TEST CONDITION	MIN	TYP	MAX	UNIT
Output Voltage	V_{OUT}	$T_J=25^\circ\text{C}$ (Note 1)	$V_{OUT} \times 0.98$	V_{OUT}	$V_{OUT} \times 1.02$	V
Output Voltage	V_{OUT}	$100\mu\text{A} \leq I_L \leq 100\text{mA}$, $T_J \leq T_J(\text{max})$	$V_{OUT} \times 0.98$	V_{OUT}	$V_{OUT} \times 1.02$	V
Output Voltage Temperature Coefficient	$T_C V_O$		20		100	ppm/°C
Line Regulation	ΔV_{OUT}	$6\text{V} \leq V_{IN} \leq 30\text{V}$	0.03	0.1	0.2	%
Load Regulation	ΔV_{OUT}	$100\mu\text{A} \leq I_L \leq 100\text{mA}$	0.04	0.1	0.2	%
Dropout Voltage	V_D	$I_L=100\mu\text{A}$	50	80	150	mV
		$I_L=100\text{mA}$ (Note 2)	380	450	600	mV
Ground Current	I_G	$I_L=100\mu\text{A}$		120	140	μA
		$I_L=100\text{mA}$		12	14	mA
Dropout Ground Current		$V_{IN}=(V_{ONOM} - 0.5)\text{V}$, $I_L=100\mu\text{A}$		170	200	μA
Current Limit	I_{LIMIT}	$V_{OUT}=0$	130	190	250	mA
Output Noise (10Hz ~ 100KHz) (Bypass=0.01 μF pins 7 to 1 (LP2951))	eN	$C_L=1\mu\text{F}$			430	μV
		$C_L=200\mu\text{F}$			160	μV
		$C_L=3.3\mu\text{F}$			100	μV

■ ELECTRICAL CHARACTERISTICS(Cont.)

For UTC LP2950 8-Pin Version Only

PARAMETER	SYMBOL	TEST CONDITION	MIN	TYP	MAX	UNIT
Error Comparator						
Output Leakage Current	$I_{O(LEAK)}$	$V_{OH}=30V$			1	μA
Output Low Voltage	V_{OL}	$V_{IN}=(V_{ONOM} - 0.5)V, I_{OL}=400\mu A$			280	mV
Threshold Voltage	Upper	V_{THU} (Note 3)	3.2			%VO
	Lower	V_{THL} (Note 3)			7.6	%VO
Hysteresis	V_{HYS}	(Note 3)		15		mV
Shutdown Input						
Input Logic Voltage	Low	V_{IL}	Regulator ON		0.70	V
	High	V_{IH}	Regulator OFF		2.0	V
Shutdown Pin Input Current	I_{SHDN}	$V_{SHDN}=2.4V$		30	50	μA
		$V_{SHDN}=30V$		450	600	μA
Regulator Output Current Shutdown	I_{DFF}	$V_{SHDN} \geq 2V, V_{IN} \leq 30V, V_{OUT}=0$ Feedback pin tied to V_O Tap.		3	10	μA

For UTC LP2951 8-Pin Version Only

PARAMETER	SYMBOL	TEST CONDITION	MIN	TYP	MAX	UNIT
Reference Voltage	V_{REF}		1.22	1.235	1.25	V
Reference Voltage	V_{REF}	Over temperature(Note 4)	1.19		1.27	V
Feedback pin Bias Current	I_{FB}			20	40	nA
Reference Voltage Temperature Coefficient	$V_{REF(TC)}$			50		ppm/ $^{\circ}C$
Feedback Bias Current Temperature Coefficient	$I_{FB(TC)}$			0.1		nA/ $^{\circ}C$
Error Comparator						
Output Leakage Current	$I_{O(LEAK)}$	$V_{OH}=30V$			1	μA
Output Low Voltage	V_{OL}	$V_{IN}=(V_{ONOM} - 0.5)V, I_{OL}=400\mu A$			250	mV
Threshold Voltage	Upper	V_{THU} (Note 3)	3.2			%VO
	Lower	V_{THL} (Note 3)			7.6	%VO
Hysteresis	V_{HYS}	(Note 3)		15		mV
Shutdown Input						
Input Logic Voltage	Low	V_{IL}	Regulator ON		0.70	V
	High	V_{IH}	Regulator OFF		2.0	V
Shutdown Pin Input Current	I_{SHDN}	$V_{SHDN}=2.4V$		30	50	μA
		$V_{SHDN}=30V$		450	600	μA
Regulator Output Current Shutdown	I_{DFF}	$V_{SHDN} \geq 2V, V_{IN} \leq 30V, V_{OUT}=0$ Feedback pin tied to V_O Tap.		3	10	μA

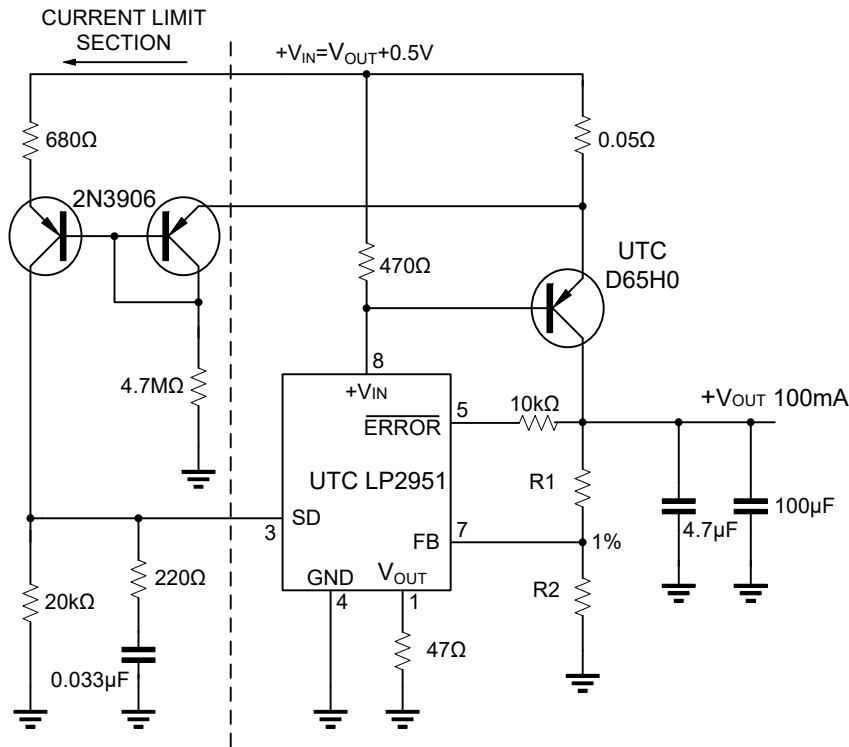
Note: 1. Additional conditions for 8-pin versions are FB pin tied to V_O Tap, Output tied to Sense ($V_{OUT}=3.3V$ or $5V$) and $V_{SHDN} \leq 0.8V$.

2. Dropout Voltage is defined as the input to output differential at which the output voltage drops 100mV below its nominal value measured at 1V differential.

3. Comparator thresholds are expressed in terms of percentage value of voltage output.

4. $V_{REF} \leq V_{OUT} \leq (V_{IN}-1V)$, $2.3V \leq V_{IN} \leq 30V$, $100\mu A \leq I_L \leq 100mA$, $T_J \leq T_{J(MAX)}$

■ TYPICAL APPLICATION CIRCUIT
100 Ampere Low Dropout Regulator



$V_{OUT} = 1.23V \times (1 + R1/R2)$
 For V_O TAP output use internal resistors. Wire pin 6 to 7 and wire pin 2 to $+V_{OUT}$

Fig.1

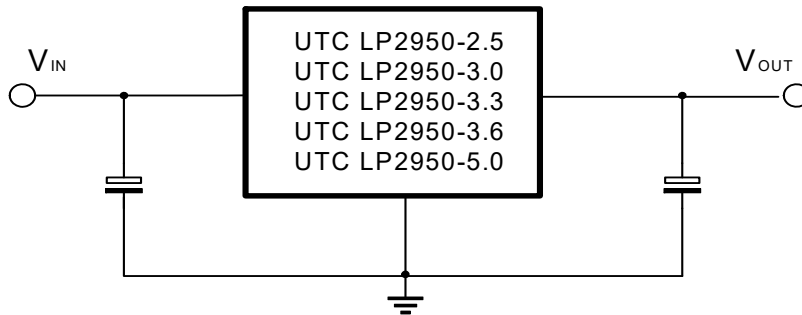


Fig.2

UTC assumes no responsibility for equipment failures that result from using products at values that exceed, even momentarily, rated values (such as maximum ratings, operating condition ranges, or other parameters) listed in products specifications of any and all UTC products described or contained herein. UTC products are not designed for use in life support appliances, devices or systems where malfunction of these products can be reasonably expected to result in personal injury. Reproduction in whole or in part is prohibited without the prior written consent of the copyright owner. UTC reserves the right to make changes to information published in this document, including without limitation specifications and product descriptions, at any time and without notice. This document supersedes and replaces all information supplied prior to the publication hereof.

X-ON Electronics

Largest Supplier of Electrical and Electronic Components

Click to view similar products for [Unisonic manufacturer](#):

Other Similar products are found below :

[03N60G-AE3-R](#) [05N30G-AE3-R](#) [10N60L-TF1-T](#) [10N65L-ML-TF1-T](#) [10N65L-TC-TF1-T](#) [10N65L-TF1-T](#) [10N70L-TF1-T](#) [10N90L-TF1-T](#)
[11N40L-TF1-T](#) [11NM65L-TA3-T](#) [11NM70G-TN3-R](#) [12N60L-TF2-T](#) [12N65KL-MTTO](#) [12N65KL-TF1-T](#) [12N65L-TF1-T](#) [12N65L-TF1-](#)
[TML\)](#) [12N70L-TF1-T](#) [12N80L-FC TO-220F](#) [12N80L-TF2-T](#) [12N80L-TF3-T](#) [12P10L-TM3-T](#) [12P10L-TN3-R](#) [14N50L-TF3-T](#) [14N65L-ML-](#)
[TF3-T](#) [14N65L-TF1-T](#) [15N10L-TN3-R](#) [15NM70G-TF3-T](#) [18N50L-TF1-T](#) [18N65L-TF1-T](#) [18NM65L-TA3-T](#) [19N10L-TN3-R](#) [1N4148G-](#)
[CA2-R](#) [1N4148G-CB2-R](#) [1N5819G-CA2-R](#) [1N60G-AA3-R](#) [1N60L-T92-B](#) [1N60L-T92-K](#) [1N60L-TN3-R](#) [1N65G-AA3-R](#) [20N60L-TF2-T](#)
[20N70L-TF1-T](#) [24NM65G-TF1-T](#) [2N40G-CB-AB3-R](#) [2N5401G-B-T92-B](#) [2N5551G-B-AB3-R](#) [2N5551L-B-T92-B](#) [2N5551L-B-T92-K](#)
[2N6027G-T92-B](#) [2N60G-LC1-AA3-R](#) [2N60G-TM3-T](#)