



LR1107/E

CMOS IC

600mA FAST ULTRA LOW DROPOUT LINEAR REGULATOR

DESCRIPTION

The UTC **LR1107/E** operate from a +2.5V ~ +7.0V input supply as fast ultra low-dropout linear regulators. Wide output voltage range options are available. The fast response characteristic to make UTC **LR1107/E** suitable for low voltage microprocessor application. The low quiescent current operation and low dropout quality caused by the CMOS process.

The UTC **LR1107/E** has ultra low dropout voltage; 300mV at 600mA load current typically.

The ground pin current is typically 200uA at 1mA load current.

SET/ADJ Mode (for **LR1107**): Connect an external resistive voltage-divider from V_{OUT} to this pin to set the output voltage from 1.145V to 5V.

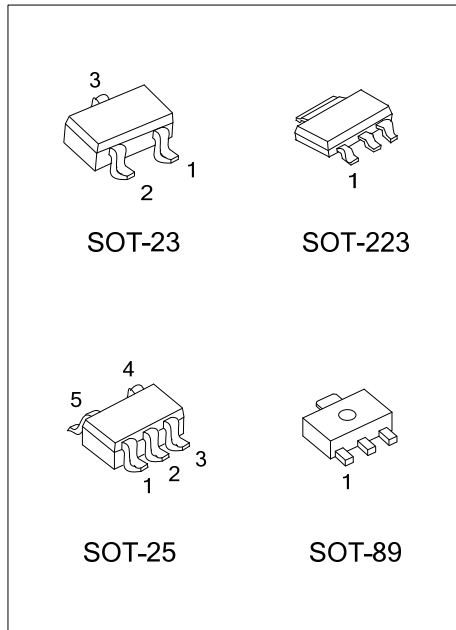
\overline{ERROR} Flag (for **LR1107E**): When the output voltage drops 10% below nominal value Error flag goes low.

Output Voltage Precision: Multiple output voltage options are available and ranging from 1.2V ~ 5.0V at room temperature with a guaranteed accuracy of $\pm 1.5\%$, and $\pm 3.0\%$ when varying line, load and temperature.

FEATURES

- * Ultra Low Dropout Voltage
- * Low Ground Pin Current
- * 0.68% Load Regulation
- * The Guaranteed Output Current is 600mA DC
- * Output Voltage Accuracy $\pm 1.5\%$

- * \overline{ERROR} Flag Indicates Output Status
- * V_{OUT} can be Adjusted From 1.145V to 5V.
- * Low Output Capacitor Required
- * Overtemperature Protection and Overcurrent Protection



ORDERING INFORMATION

Ordering Number		Package	Pin Assignment					Packing
Lead Free	Halogen Free		1	2	3	4	5	
LR1107L-xx-AA3-A-R	LR1107G-xx-AA3-A-R	SOT-223	G	O	I	-	-	Tape Reel
LR1107L-xx-AE3-3-R	LR1107G-xx-AE3-3-R	SOT-23	O	G	I	-	-	Tape Reel
LR1107L-xx-AB3-B-R	LR1107G-xx-AB3-B-R	SOT-89	O	G	I	-	-	Tape Reel
LR1107L-xx-AB3-C-R	LR1107G-xx-AB3-C-R	SOT-89	G	I	O	-	-	Tape Reel
LR1107L-xx-AB3-D-R	LR1107G-xx-AB3-D-R	SOT-89	I	G	O	-	-	Tape Reel
LR1107L-xx-AF5-R	LR1107G-xx-AF5-R	SOT-25	I	G	SD	S	O	Tape Reel
LR1107EL-xx-AF5-R	LR1107EG-xx-AF5-R	SOT-25	I	G	SD	E	O	Tape Reel

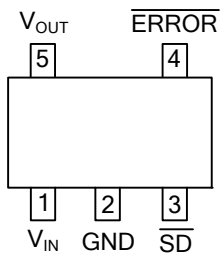
Note: Pin Assignment: I: V_{IN} O: V_{OUT} G: GND SD: \overline{SD} E: \overline{ERROR} S: SET/ADJ

LR1107EG-xx-AA3-A-R	(1) Packing Type	(1) R: Tape Reel
	(2) Pin Assignment	(2) refer to Pin Assignment
	(3) Package Type	(3) AA3: SOT-223, AB3:SOT-89, AE3:SOT-23, AF5:SOT-25
	(4) Voltage Code	(4) xx: reference to Marking Information
	(5) Green Package	(5) G: Halogen Free and Lead Free, L: Lead Free
	(6) Pin Situation	(6) Refer to PIN CONFIGURATION(For SOT-25)

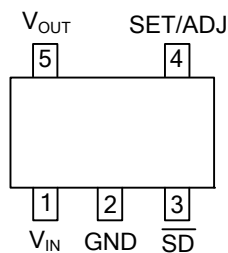
MARKING INFORMATION

PACKAGE	VOLTAGE CODE	MARKING
SOT-223		<p>Pin Code ← LR1107 □ Voltage Code ← XX □ □ □ □ → Date Code →</p> <p>1 2 3</p> <p>L: Lead Free G: Halogen Free</p>
SOT-23	18:1.8V 25:2.5V 28:2.8V 2J:2.85V 33:3.3V 50: 5.0V	<p>3 Voltage Code ← ESXX □ → L: Lead Free G: Halogen Free</p> <p>2 1</p>
SOT-89		<p>Date Code ← □ □ □ □ XX □ → Pin Code LR1107 □ → Voltage Code L: Lead Free G: Halogen Free</p> <p>1 2 3</p>
SOT-25 (LR1107E)	18:1.8V 25:2.5V 28:2.8V 2J:2.85V 33:3.3V 50: 5.0V	<p>5 4 Voltage Code ← ERXX □ → L: Lead Free G: Halogen Free</p> <p>1 2 3</p>
SOT-25 (LR1107)	AD: ADJ	<p>5 4 Voltage Code ← ESXX □ → L: Lead Free G: Halogen Free</p> <p>1 2 3</p>

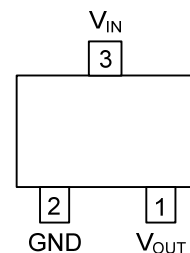
PIN CONFIGURATION



SOT-25 (for LR1107E)



SOT-25 (for LR1107)

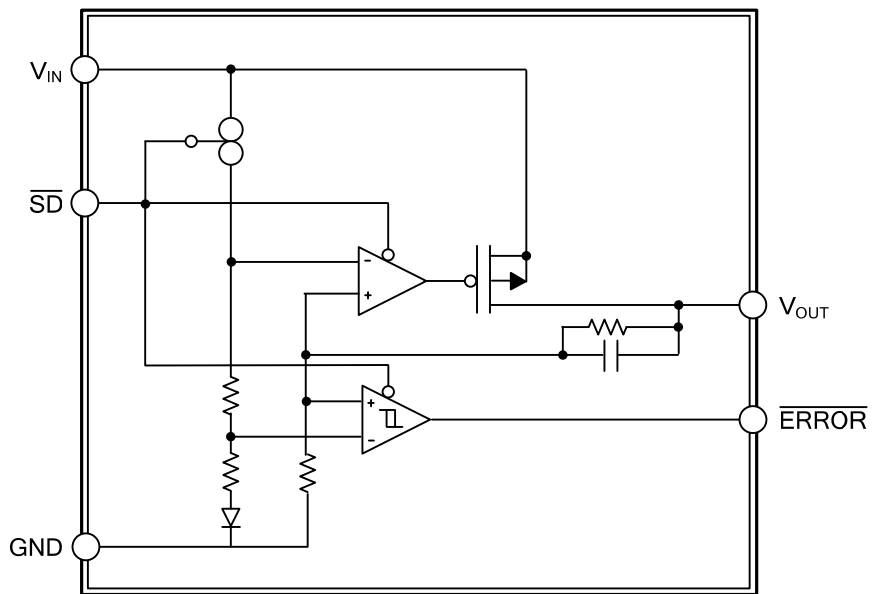


SOT-23

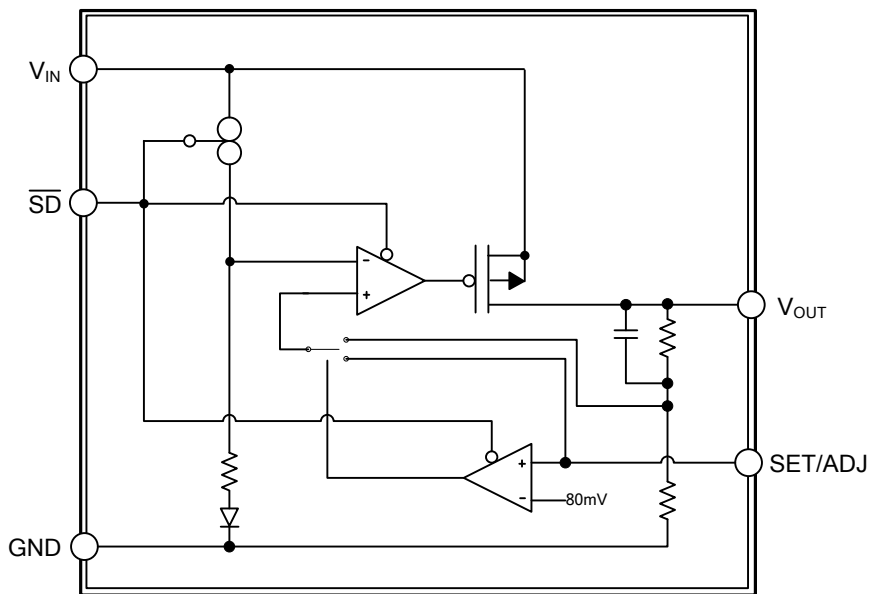
PIN DESCRIPTION

PIN NAME	I/O	DESCRIPTION
V _{IN}		Input supply
GND		Ground
SD	I	Shutdown LR1107/E enable; when the SD pin connects to GND will shutdown the LR1107/E ; At normal operation, SD must be tied to V _{DD} through a 10KΩ pull up resistor.
ERROR (for LR1107E)	O	Error flag, active low; when the output dropout of regulation due to low input voltage, the LR1107E produces a logic low signal at the ERROR pin.
SET/ADJ (for LR1107)	O	Voltage-Setting Input. Connect an external resistive voltage-divider from V _{OUT} to this pin to set the output voltage.
V _{OUT}	O	Output voltage

■ BLOCK DIAGRAM



LR1107E



LR1107

■ ABSOLUTE MAXIMUM RATINGS (Note 1)

PARAMETER	SYMBOL	RATINGS	UNIT
Input Voltage (Operating), (Note 10)	V_{IN}	2.5~7.0	V
Input Voltage (Survival)		-0.3~+7.5	V
Shutdown Input Voltage	$V_{I(SHDN)}$	-0.3~ $V_{IN}+0.3$	V
Output Voltage (Survival), (Note 4, 5)	V_{OUT}	-0.3~+7.5	V
I_{OUT} (Survival)		Short Circuit Protected	
Maximum Voltage for \overline{ERROR} , SET/ADJ Pin		$V_{IN}+0.3$	V
Maximum Operating Current (DC)		600	mA
Power Dissipation (Note 2)	P_D	Internally Limited	
Junction Temperature	T_J	150	°C
Operating Temperature	T_{OPR}	-40 ~ +125	°C
Storage Temperature	T_{STG}	-65 ~ +150	°C

■ ELECTRICAL CHARACTERISTICS

Limits in standard typeface are for $T_J = 25^\circ\text{C}$, and limits in **boldface type** apply over the full operating temperature range. ($T_J = 25^\circ\text{C}$, $V_{IN} = V_{O(NOM)} + 1\text{V}$, $I_L = 10\text{mA}$, $C_{OUT} = 22\mu\text{F}$, $V_{SD} = V_{IN}-0.3\text{V}$, unless otherwise specified.)

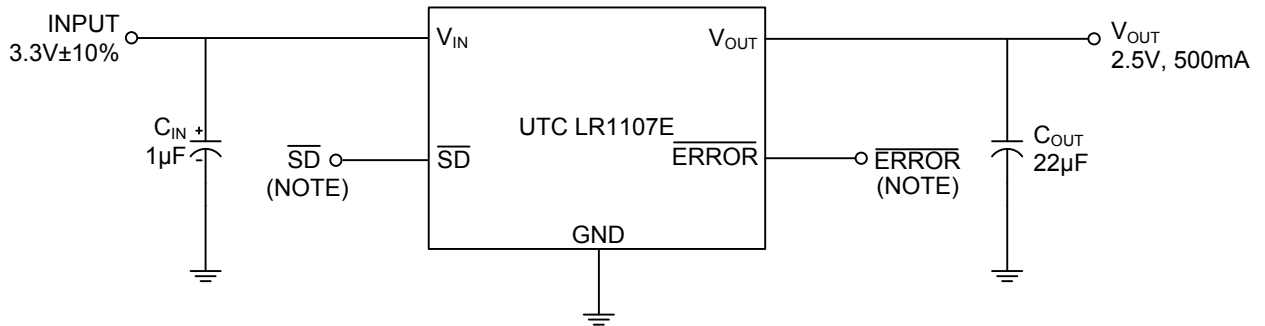
PARAMETER	SYMBOL	TEST CONDITIONS	MIN	TYP (Note 3)	MAX	UNIT
Output Voltage Tolerance (Note 6)	V_{OUT}	$0\text{mA} \leq I_L \leq 600\text{mA}$ $V_{OUT} + 1\% \leq V_{IN} \leq 7.0\text{V}$	-1.5 -3	0	+1.5 +3	%
Output Voltage Line Regulation (Note 6)	$\frac{\Delta V_{OUT}}{V_{OUT}}$	$V_{OUT} + 1\text{V} < V_{IN} < 7.0\text{V}$		0.725		%
Output Voltage Load Regulation (Note 6)	V_{OUT}	$10\text{mA} < I_L < 600\text{mA}$		0.68		%
Dropout Voltage (Note 8)	V_D	$I_L = 600\text{mA}$		300	500	mV
Ground Pin Current In Normal Operation Mode	I_{GND1}	$I_L = 0\text{mA}$		200		μA
		$I_L = 600\text{mA}$		300		
Ground Pin Current In Shutdown Mode	I_{GND2}	$V_{SD} \leq 0.2\text{V}$ (Note 9)		0.02	5	μA
Peak Output Current	$I_{O(PEAK)}$	(Note 2)	600	800		mA
SHORT CIRCUIT PROTECTION						
Short Circuit Current	I_{SC}			2		A
OVER TEMPERATURE PROTECTION						
Shutdown Threshold	$T_{SHDN(THR)}$			165		°C
Thermal Shutdown Hysteresis	$T_{SHDN(HYS)}$			10		°C
SHUTDOWN INPUT						
Shutdown Threshold	V_{SHDN}	Output = High	$V_{IN}-0.3$	V_{IN}		V
		Output = Low		0	0.2	V
Turn-off Delay	$t_{D(OFF)}$	$I_L = 600\text{mA}$		20		μs
Turn-on Delay	$t_{D(ON)}$	$I_L = 600\text{mA}$		60		μs
\overline{SD} Input Current	I_{SD}	$V_{SD} = V_{IN}$		1		nA

■ ELECTRICAL CHARACTERISTICS(Cont.)

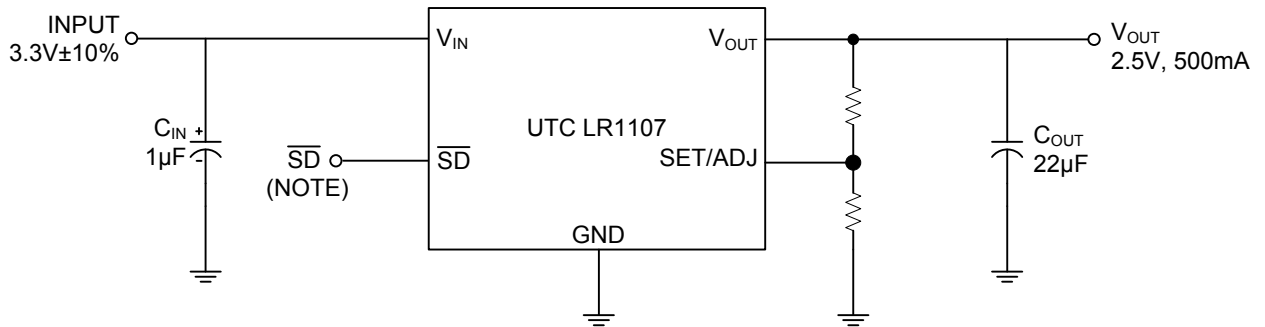
PARAMETER	SYMBOL	TEST CONDITIONS	MIN	TYP (Note 3)	MAX	UNIT
ERROR FLAG COMPARATOR (for LR1107E)						
$\overline{\text{ERROR}}$ Flag Saturation	$V_{\text{EF(SAT)}}$	$I_{\text{SINK}} = 100\mu\text{A}$		0.02	0.1	V
$\overline{\text{ERROR}}$ Flag Pin Leakage Current	$I_{\text{I(LEAK)}}$			1		nA
Threshold	V_{T}	(Note 7)	5	7	16	%
Threshold Hysteresis	V_{THR}	(Note 7)	2	4.2	8	%
Flag Reset Delay	t_{D}			17		μs
SET/ADJ Mode (for LR1107 5pins)						
SET Voltage	V_{SET}	Measured on ADJ, $I_{\text{OUT}} = 10\text{mA}$	1.110	1.145	1.188	V
AC PARAMETERS						
Ripple Rejection	PSRR	$V_{\text{IN}} = V_{\text{OUT}} + 1.5\text{V}$ $C_{\text{OUT}} = 100\mu\text{F}, V_{\text{OUT}} = 3.3\text{V}$		60		dB
		$V_{\text{IN}} = V_{\text{OUT}} + 0.3\text{V}$ $C_{\text{OUT}} = 100\mu\text{F}, V_{\text{OUT}} = 3.3\text{V}$		40		dB
Output Noise Density	$\rho_{\text{n(lf)}}$	$f = 120\text{Hz}$		0.8		μV
Output Noise Voltage	eN	BW = 10Hz – 100kHz		150		μVrms

- Notes: 1. Absolute maximum ratings are those values beyond which the device could be permanently damaged. Absolute maximum ratings are stress ratings only and functional device operation is not implied. Conditions for which the device is intended to be functional is indicated by operating ratings, but specific performance limits isn't be guaranteed. To make sure of specifications and test conditions, read Electrical Characteristics. Only for the test conditions listed the guaranteed specifications can be applied. When the device is not operated under the listed test conditions some performance characteristics may degrade.
2. Devices must be derated based on package thermal resistance at elevated temperatures.
3. The most likely parametric norm represents at 25°C.
4. The LR1107/E output must be diode-clamped to ground. If used in a dual-supply system where the regulator load is returned to a negative supply.
5. Between the V_{IN} and V_{OUT} terminals the output PMOS structure contains a diode. This diode is reverse biased normally. If the voltage at the output terminal is forced to be higher than the voltage at the input terminal this diode will get forward biased. This diode can withstand 650mA of peak current and 120mA of DC current typically.
6. Output voltage line regulation is the change in output voltage from the nominal value which is due to change in the input line voltage. Which is defined as the change in output voltage from the nominal value due to change in load current is output voltage load regulation. The load regulation and line regulation specification include the typical number only. But, the limits for load and line regulation are included in the output voltage tolerance specification.
7. $\overline{\text{ERROR}}$ Flag hysteresis and threshold are specified as regulated output voltage's percentage.
8. At which the output drops 2% below the normal value dropout voltage is defined as the minimum input to output differential voltage. Only to output voltages of 2.5V and above dropout voltage specification applies. For output voltages below 2.5V, since the minimum input voltage is 2.5V, the drop-out voltage is nothing but the input to output differential.
9. Specification has been tested at $-40^{\circ}\text{C} \leq T_{\text{J}} \leq 85^{\circ}\text{C}$ cause under shutdown conditions the temperature rise of the device is negligible.
10. The minimum operating V_{IN} value is equal to $V_{\text{OUT(NOM)}} + V_{\text{DROPOUT}}$ or 2.5V, just the greater.

■ TYPICAL APPLICATION CIRCUIT



Note: \overline{SD} and \overline{ERROR} pins must be pulled high through a 10kΩ pull-up resistor. Connect the \overline{ERROR} pin to ground if this function is not used.



Note: \overline{SD} pins must be pulled high through a 10kΩ pull-up resistor. Connect the SET/ADJ pin to ground if this function is not used.

UTC assumes no responsibility for equipment failures that result from using products at values that exceed, even momentarily, rated values (such as maximum ratings, operating condition ranges, or other parameters) listed in products specifications of any and all UTC products described or contained herein. UTC products are not designed for use in life support appliances, devices or systems where malfunction of these products can be reasonably expected to result in personal injury. Reproduction in whole or in part is prohibited without the prior written consent of the copyright owner. The information presented in this document does not form part of any quotation or contract, is believed to be accurate and reliable and may be changed without notice.

X-ON Electronics

Largest Supplier of Electrical and Electronic Components

Click to view similar products for [LDO Voltage Regulators](#) category:

Click to view products by [Unisonic](#) manufacturer:

Other Similar products are found below :

[AP7363-SP-13](#) [L79M05TL-E](#) [AP7362-HA-7](#) [PT7M8202B12TA5EX](#) [TCR3DF185,LM\(CT](#) [TCR3DF45,LM\(CT](#) [TLE4473G V52](#) [059985X](#)
[NCP4687DH15T1G](#) [701326R](#) [NCV8170AXV250T2G](#) [AP7315-25W5-7](#) [AP2111H-1.2TRG1](#) [ZLDO1117QK50TC](#) [AZ1117ID-ADJTRG1](#)
[TCR3DG12,LF](#) [MIC5514-3.3YMT-T5](#) [SCD7912BTG](#) [NCP154MX180270TAG](#) [SCD33269T-5.0G](#) [NCV8170BXV330T2G](#)
[NCV8170BMX330TCG](#) [NCV8170AMX120TCG](#) [NCP706ABMX300TAG](#) [NCP153MX330180TCG](#) [NCP114BMX075TCG](#) [MC33269T-3.5G](#)
[CAT6243-ADJCMT5T](#) [TCR3DG33,LF](#) [TCR4DG35,LF](#) [TAR5S15U\(TE85L,F\)](#) [TAR5S18U\(TE85L,F\)](#) [TCR3UG19A,LF](#) [TCR4DG105,LF](#)
[MPQ2013AGG-5-P](#) [NCV8170AMX360TCG](#) [TLE4268GSXUMA2](#) [NCP715SQ15T2G](#) [MIC5317-3.0YD5-T5](#) [NCV563SQ18T1G](#)
[NCP715MX30TBG](#) [NCV8702MX25TCG](#) [NCV8170BXV120T2G](#) [MIC5317-1.2YD5-T5](#) [NCV8170AMX150TCG](#) [NCV8170BMX150TCG](#)
[AP2213D-3.3TRG1](#) [NCV8170BMX120TCG](#) [NCV8170BMX310TCG](#) [NCV8170BMX360TCG](#)