



MBR2060C

DIODE

20A SCHOTTKY BARRIER RECTIFIER

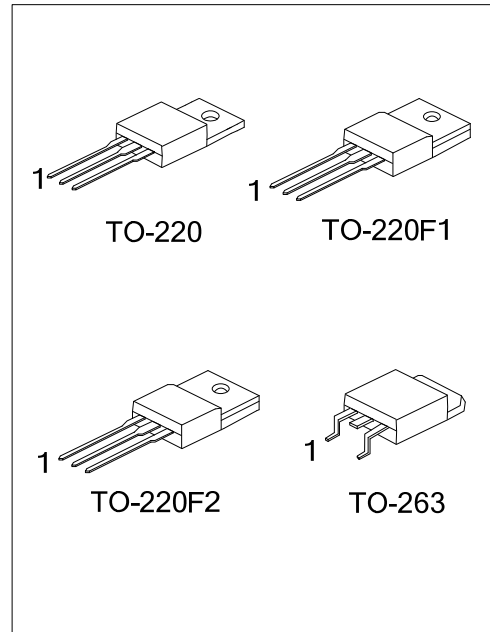
DESCRIPTION

The UTC **MBR2060C** is a 20A schottky barrier rectifier, it uses UTC's advanced technology to provide the customers with high surge capability, high efficiency, high current capability, low power loss and low forward voltage drop, etc.

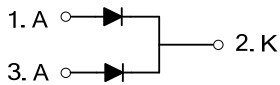
The UTC **MBR2060C** is suitable for free wheeling and polarity protection, etc.

FEATURES

- * High surge capability
- * High efficiency
- * High current capability
- * Low power Loss and low forward voltage drop



SYMBOL



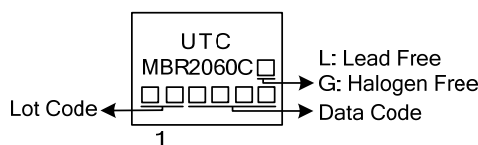
ORDERING INFORMATION

Ordering Number		Package	Pin Assignment			Packing
Lead Free	Halogen Free		1	2	3	
MBR2060CL-TA3-T	MBR2060CG-TA3-T	TO-220	A	K	A	Tube
MBR2060CL-TF1-T	MBR2060CG-TF1-T	TO-220F1	A	K	A	Tube
MBR2060CL-TF2-T	MBR2060CG-TF2-T	TO-220F2	A	K	A	Tube
MBR1060CL-TQ2-T	MBR1060CG-TQ2-T	TO-263	A	K	A	Tube
MBR1060CL-TQ2-R	MBR1060CG-TQ2-R	TO-263	A	K	A	Tape Reel

Note: Pin Assignment: A: Anode K: Cathode

<p>MBR2060CL-TA3-T</p> <p>(1) Packing Type</p> <p>(2) Package Type</p> <p>(3) Green Package</p>	<p>(1) T: Tube, R: Tape Reel</p> <p>(2) TA3: TO-220, TF1: TO-220F1, TF2: TO-220F2 TQ2: TO-263</p> <p>(3) L: Lead Free, G: Halogen Free and Lead Free</p>
---	--

MARKING



■ ABSOLUTE MAXIMUM RATING (T_A=25°C, unless otherwise specified)

PARAMETER		SYMBOL	RATINGS	UNIT
Peak Repetitive Reverse Voltage		V _{RRM}	60	V
Working Peak Reverse Voltage		V _{RWM}	60	V
DC Blocking Voltage		V _R	60	V
RMS Reverse Voltage		V _{R(RMS)}	42	V
Average Forward Rectified Output Current (T _C =125°C)	Per Leg	I _O	10	A
	Total		20	
Non-Repetitive Peak Forward Surge Current 8.3ms Single half sine-wave		I _{FSM}	150	A
Typical Junction Capacitance		C _J	650	pF
Junction Temperature		T _J	-55~+150	°C
Storage Temperature		T _{STG}	-55~+150	°C

Note: 1. Absolute maximum ratings are those values beyond which the device could be permanently damaged.

Absolute maximum ratings are stress ratings only and functional device operation is not implied.

2. Pulse width≤300μs, duty cycle≤2%.

■ THERMAL DATA

PARAMETER		SYMBOL	RATINGS	UNIT
Junction to Ambient		θ _{JA}	60	°C/W
Junction to Case	TO-220/TO-263	θ _{JC}	3	°C/W
	TO-220F/TO-220F1		5	

■ ELECTRICAL CHARACTERISTICS

PARAMETER	SYMBOL	TEST CONDITIONS	MIN	TYP	MAX	UNIT
Instantaneous Forward Voltage Drop (Note 2)	V _F	I _F =10A, T _C =25°C			0.80	V
		I _F =10A, T _C =125°C			0.70	
		I _F =20A, T _C =25°C			0.95	
		I _F =20A, T _C =125°C			0.85	
Instantaneous Reverse Current (Note 2)	I _R	Rated DC Voltage, T _C =25°C			0.1	mA
		Rated DC Voltage, T _C =125°C			15	

Notes: 1. 2.0μs Pulse Width, f = 1.0KHz.

2. Pulse Test: Pulse Width=300μs, Duty Cycle≤ 2.0%.

3. Applied V_R = 4.0V and f = 1.0MHz.

UTC assumes no responsibility for equipment failures that result from using products at values that exceed, even momentarily, rated values (such as maximum ratings, operating condition ranges, or other parameters) listed in products specifications of any and all UTC products described or contained herein. UTC products are not designed for use in life support appliances, devices or systems where malfunction of these products can be reasonably expected to result in personal injury. Reproduction in whole or in part is prohibited without the prior written consent of the copyright owner. The information presented in this document does not form part of any quotation or contract, is believed to be accurate and reliable and may be changed without notice.

X-ON Electronics

Largest Supplier of Electrical and Electronic Components

Click to view similar products for [Schottky Diodes & Rectifiers](#) category:

Click to view products by [Unisonic](#) manufacturer:

Other Similar products are found below :

[CUS06\(TE85L,Q,M\)](#) [MA4E2039](#) [D1FH3-5063](#) [MBR0530L-TP](#) [MBR10100CT-BP](#) [MBR30H100MFST1G](#) [MMBD301M3T5G](#) [PMAD1103-LF](#) [PMAD1108-LF](#) [RB160M-50TR](#) [RB520S-30](#) [RB551V-30](#) [DD350N18K](#) [DZ435N40K](#) [DZ600N16K](#) [BAS16E6433HTMA1](#) [BAS 3010S-02LRH E6327](#) [BAT 54-02LRH E6327](#) [IDL02G65C5XUMA1](#) [NSR05F40QNXT5G](#) [NSVR05F40NXT5G](#) [JANS1N6640](#) [SB07-03C-TB-H](#) [SB1003M3-TL-W](#) [SBAT54CWT1G](#) [SBM30-03-TR-E](#) [SBS818-TL-E](#) [SK32A-LTP](#) [SK33A-TP](#) [SK34A-TP](#) [SK34B-TP](#) [SMD1200PL-TP](#) [ACDBN160-HF](#) [SS3003CH-TL-E](#) [STPS30S45CW](#) [PDS3100Q-7](#) [GA01SHT18](#) [CRS10I30A\(TE85L,QM\)](#) [MBR1240MFST1G](#) [MBRB30H30CT-1G](#) [BAS28E6433HTMA1](#) [BAS 70-02L E6327](#) [HSB123JTR-E](#) [JANTX1N5712-1](#) [VS-STPS40L45CW-N3](#) [DD350N12K](#) [SB007-03C-TB-E](#) [SB10015M-TL-E](#) [SB1003M3-TL-E](#) [SK110-LTP](#)