



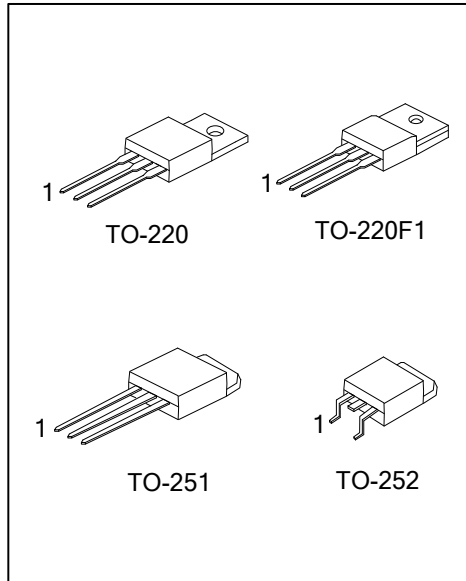
MJE2955T

PNP SILICON TRANSISTOR

HIGH VOLTAGE TRANSISTOR

DESCRIPTION

The UTC **MJE2955T** is designed for general purpose of amplifier and switching applications.



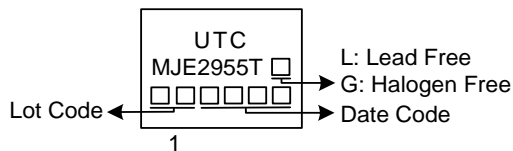
ORDERING INFORMATION

Ordering Number		Package	Pin Assignment			Packing
Lead Free	Halogen Free		1	2	3	
MJE2955TL-TA3-T	MJE2955TG-TA3-T	TO-220	B	C	E	Tube
MJE2955TL-TF1-T	MJE2955TG-TF1-T	TO-220F1	B	C	E	Tube
MJE2955TL-TM3-T	MJE2955TG-TM3-T	TO-251	B	C	E	Tube
MJE2955TL-TN3-R	MJE2955TG-TN3-R	TO-252	B	C	E	Tape Reel

Note: Pin Assignment: B: Base C: Collector E: Emitter

<p>MJE2955TG-TA3-T</p>	<p>(1) Packing Type (2) Package Type (3) Green Package</p>	<p>(1) T: Tube, R: Tape Reel (2) TA3: TO-220, TF1: TO-220F1, TM3: TO-251 TN3: TO-252 (3) G: Halogen Free and Lead Free, L: Lead Free</p>
------------------------	--	--

MARKING



■ ABSOLUTE MAXIMUM RATING

PARAMETER		SYMBOL	RATINGS	UNIT
Collector-Base Voltage		V_{CBO}	-70	V
Collector-Emitter Voltage		V_{CEO}	-60	V
Emitter-Base Voltage		V_{EBO}	-5	V
Collector current		I_C	-10	A
Base Current		I_B	-6	A
Power Dissipation ($T_A=25^\circ\text{C}$)	TO-220	P_D	75	W
	TO-220F1		18	W
	TO-251		20	W
	TO-252			
Junction Temperature		T_J	+150	$^\circ\text{C}$
Storage Temperature		T_{STG}	-55 ~ +150	$^\circ\text{C}$

Note: 1. Absolute maximum ratings are those values beyond which the device could be permanently damaged.

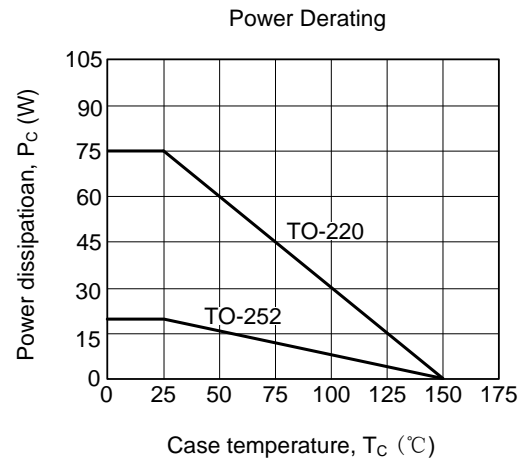
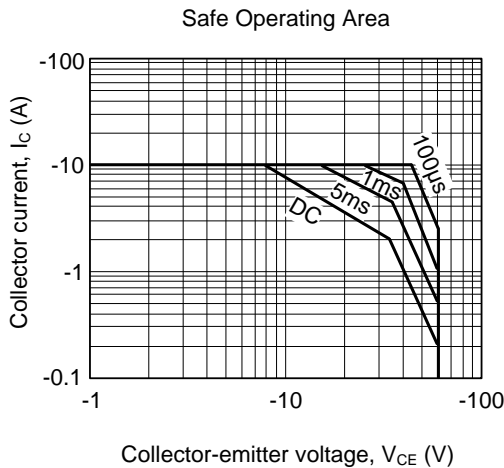
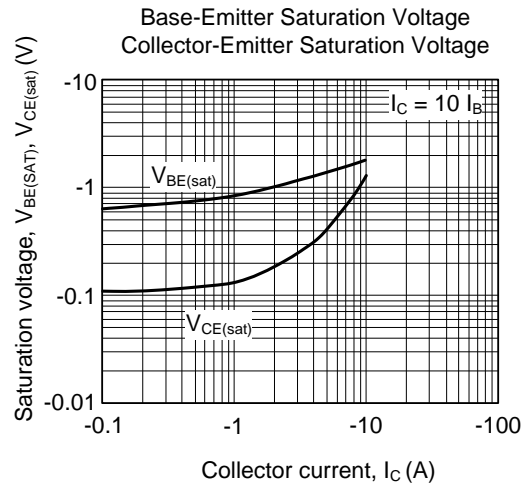
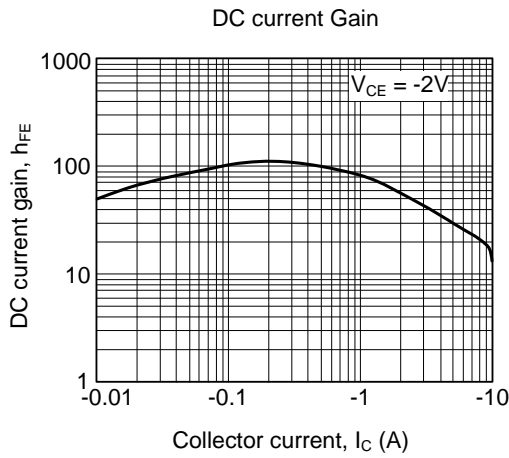
Absolute maximum ratings are stress ratings only and functional device operation is not implied.

2. The device is guaranteed to meet performance specification within $0^\circ\text{C} \sim 70^\circ\text{C}$

■ ELECTRICAL CHARACTERISTICS ($T_A=25^\circ\text{C}$, unless otherwise specified)

PARAMETER	SYMBOL	TEST CONDITIONS	MIN	TYP	MAX	UNIT
Collector-Emitter Breakdown Voltage	BV_{CEO}	$I_C=-200\text{mA}$	-60			V
Collector-Base Breakdown Voltage	BV_{CBO}	$I_C=-10\text{mA}$	-70			V
Emitter-Base Breakdown Voltage	BV_{EBO}	$I_E=-10\text{mA}$	-5			V
Collector Cut-Off Current	I_{CBO}	$V_{CB}=-70\text{V}$			-1	mA
	I_{CEO}	$V_{CE}=-30\text{V}$			-700	μA
	I_{CEX}	$V_{CE}=-70\text{V}, V_{EB(OFF)}=-1.5\text{V}$			-1	mA
Emitter Cut-Off Current	I_{EBO}	$V_{EB}=-5\text{V}$			-5	mA
Collector-Emitter Saturation Voltage	$V_{CE(SAT)1}$	$I_C=-4\text{A}, I_B=-0.4\text{A}$			-1.1	V
	$V_{CE(SAT)2}$	$I_C=-10\text{A}, I_B=-3.3\text{A}$			-8.0	
Base-Emitter on Voltage	$V_{BE(ON)}$	$V_{CE}=-4\text{V}, I_C=-4\text{A}$			-1.8	V
DC Current Gain	h_{FE1}	$I_C=-4\text{A}, V_{CE}=-4\text{V}$	20		100	
	h_{FE2}	$I_C=-10\text{A}, V_{CE}=-4\text{V}$	5			
Current Gain Bandwidth Product	f_T	$V_{CE}=-10\text{V}, I_C=-0.5\text{A}, f=1\text{MHz}$	2			MHZ

■ TYPICAL CHARACTERISTICS



UTC assumes no responsibility for equipment failures that result from using products at values that exceed, even momentarily, rated values (such as maximum ratings, operating condition ranges, or other parameters) listed in products specifications of any and all UTC products described or contained herein. UTC products are not designed for use in life support appliances, devices or systems where malfunction of these products can be reasonably expected to result in personal injury. Reproduction in whole or in part is prohibited without the prior written consent of the copyright owner. UTC reserves the right to make changes to information published in this document, including without limitation specifications and product descriptions, at any time and without notice. This document supersedes and replaces all information supplied prior to the publication hereof.

X-ON Electronics

Largest Supplier of Electrical and Electronic Components

Click to view similar products for [Bipolar Transistors - BJT category](#):

Click to view products by [Unisonic manufacturer](#):

Other Similar products are found below :

[619691C](#) [MCH4017-TL-H](#) [MJ15024/WS](#) [MJ15025/WS](#) [BC546/116](#) [BC556/FSC](#) [BC557/116](#) [BSW67A](#) [HN7G01FU-A\(T5L,F,T](#)
[NJVMJD148T4G](#) [NSVMMBT6520LT1G](#) [NTE187A](#) [NTE195A](#) [NTE2302](#) [NTE2330](#) [NTE2353](#) [NTE316](#) [IMX9T110](#) [NTE63](#) [NTE65](#)
[C4460](#) [SBC846BLT3G](#) [2SA1419T-TD-H](#) [2SA1721-O\(TE85L,F\)](#) [2SA1727TLP](#) [2SA2126-E](#) [2SB1202T-TL-E](#) [2SB1204S-TL-E](#) [2SC5488A-](#)
[TL-H](#) [2SD2150T100R](#) [SP000011176](#) [FMC5AT148](#) [2N2369ADCSM](#) [2SB1202S-TL-E](#) [2SC2412KT146S](#) [2SC4618TLN](#) [2SC5490A-TL-H](#)
[2SD1816S-TL-E](#) [2SD1816T-TL-E](#) [CMXT2207 TR](#) [CPH6501-TL-E](#) [MCH4021-TL-E](#) [BC557B](#) [TTC012\(Q\)](#) [BULD128DT4](#) [JANTX2N3810](#)
[Jantx2N5416](#) [US6T6TR](#) [KSF350](#) [068071B](#)