



## TL074

## LINEAR INTEGRATED CIRCUIT

### LOW NOISE QUAD J-FET OPERATIONAL AMPLIFIER

#### DESCRIPTION

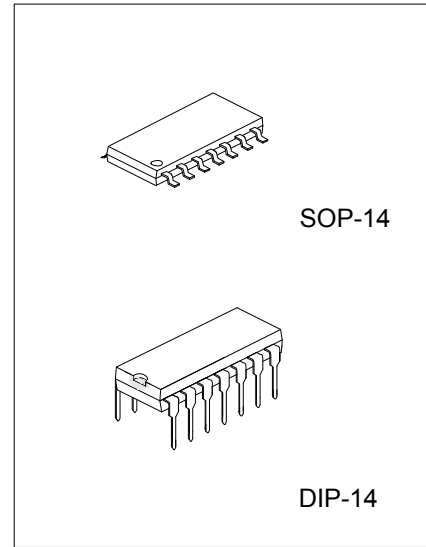
The UTC **TL074** is a high speed J-FET input quad operational amplifier. It incorporates well matched, high voltage J-FET and bipolar transistors in a monolithic integrated circuit. The device features high slew rates, low input bias and offset current, and low offset voltage temperature coefficient.

#### FEATURES

- \*Low power consumption
- \*Wide common-mode (up to  $V_{cc+}$ ) and differential voltage range
- \*Low input bias and offset current
- \*Low noise  $eN = 15nV / \sqrt{Hz}$ (typ)
- \*Output short-circuit protection
- \*High input impedance J-FET input stage
- \*Low harmonic distortion:0.01%(typ)
- \*Internal frequency compensation
- \*Latch up free operation
- \*High slewrate:13V/ $\mu$ s(typ)

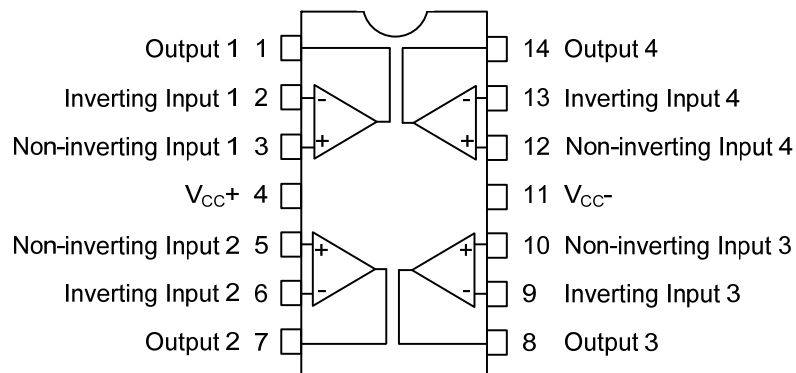
#### ORDERING INFORMATION

Ordering Number		Package	Packing
Lead Free	Halogen Free		
TL074L-D14-T	TL074G-D14-T	DIP-14	Tube
TL074L-S14-R	TL074G-S14-R	SOP-14	Tape Reel

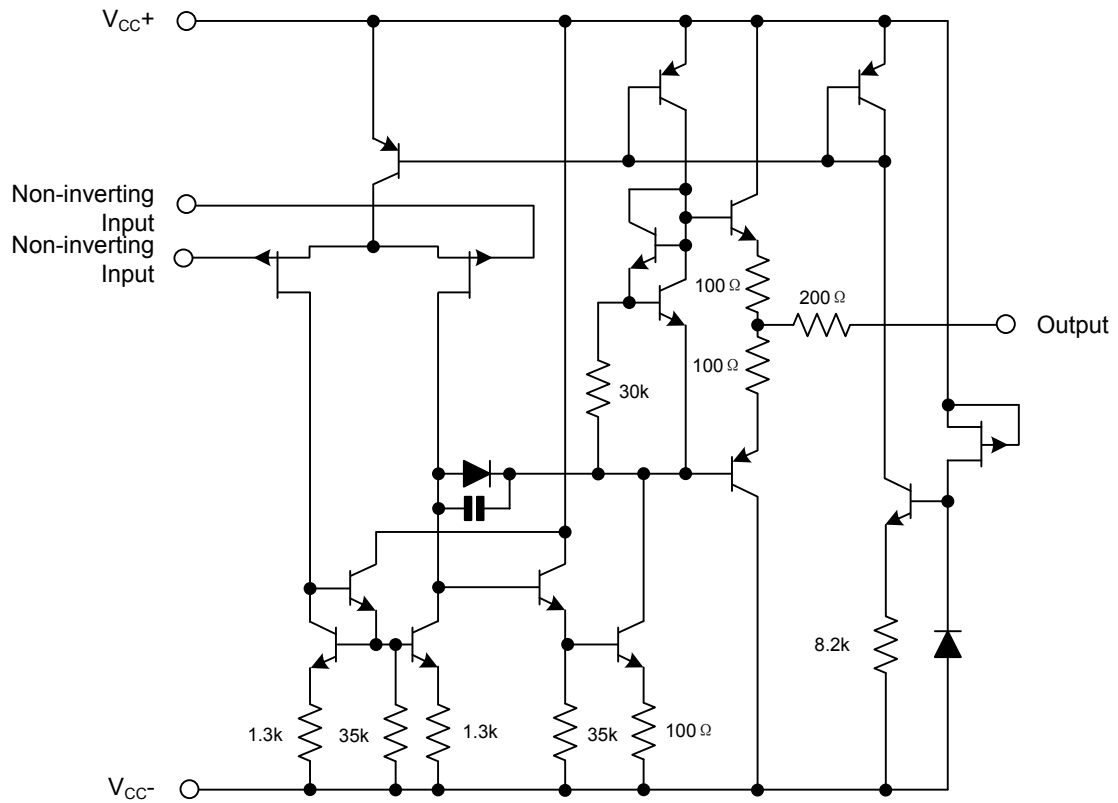


<p>TL074L-D14-T</p> <p>(1)Packing Type (2)Package Type (3)Lead Free</p>	<p>(1) T: Tube, R: Tape Reel (2) D14: DIP-14, S14: SOP-14 (3) G: Halogen Free, L: Lead Free</p>
---	---

### ■ PIN CONFIGURATIONS



### ■ SCHEMATIC DIAGRAM



■ ABSOLUTE MAXIMUM RATINGS (Ta=25°C)

PARAMETER	SYMBOL	RATING	UNIT
Supply Voltage (Note 1)	V <sub>CC</sub>	±18	V
Input Voltage (Note 2)	V <sub>IN</sub>	±15	V
Differential Input Voltage (Note 3)	V <sub>I(DIFF)</sub>	±30	V
Power Dissipation	P <sub>D</sub>	680	mW
Output Short-Circuit Duration (Note 4)		Infinite	
Operating Temperature	T <sub>OPR</sub>	0 ~ 70	°C
Storage Temperature	T <sub>STG</sub>	-65 ~ 150	°C

- Notes:
1. All voltage values, except differential voltage, are with respect to the zero reference level (ground) of the supply voltages where the zero reference level is the midpoint between V<sub>CC-</sub> and V<sub>CC+</sub>.
  2. The magnitude of the input voltage must never exceed the magnitude of the supply voltage or 15 volts, whichever is less.
  3. Differential voltages are at the non-inverting input terminal with respect to the inverting input terminal.
  4. The output may be shorted to ground or to either supply. Temperature and/or supply voltages must be limited to ensure that the dissipation rating is not exceeded.
  5. Absolute maximum ratings are those values beyond which the device could be permanently damaged. Absolute maximum ratings are stress ratings only and functional device operation is not implied.

### ■ ELECTRICAL CHARACTERISTICS

(V<sub>CC</sub>=±15V, T<sub>a</sub>=25°C, unless otherwise specified)

PARAMETER	SYMBOL	TEST CONDITIONS		MIN	TYP	MAX	UNIT
Input Offset Voltage	V <sub>I(OFF)</sub>	R <sub>S</sub> =50Ω	T <sub>a</sub> =25°C		3	6	mV
			T <sub>MIN</sub> ≤T <sub>a</sub> ≤T <sub>MAX</sub>			7	mV
Temperature Coefficient of Input Offset Voltage	ΔV <sub>I(OFF)</sub>	R <sub>S</sub> =50Ω			10		μV/°C
Input Offset Current*	I <sub>I(OFF)</sub>	T <sub>a</sub> =25°C			5	100	pA
		T <sub>MIN</sub> ≤T <sub>a</sub> ≤T <sub>MAX</sub>				4	nA
Input Bias Current*	I <sub>I(BIAS)</sub>	T <sub>a</sub> =25°C			20	200	pA
		T <sub>MIN</sub> ≤T <sub>a</sub> ≤T <sub>MAX</sub>				20	nA
Input Common Mode Voltage	V <sub>I(CM)</sub>			±11	-12~+15		V
Output Voltage Swing	V <sub>O(SW)</sub>	R <sub>L</sub> =2kΩ	T <sub>a</sub> =25°C	10	12		V
		R <sub>L</sub> =10kΩ		12	13.5		V
		R <sub>L</sub> =2kΩ	T <sub>MIN</sub> ≤T <sub>a</sub> ≤T <sub>MAX</sub>	10			V
		R <sub>L</sub> =10kΩ		12			V
Large Signal Voltage Gain	G <sub>V</sub>	R <sub>L</sub> =10kΩ, V <sub>OUT</sub> =±10V	T <sub>a</sub> =25°C	50	200		V/mV
			T <sub>MIN</sub> ≤T <sub>a</sub> ≤T <sub>MAX</sub>	25			V/mV
Gain Bandwidth Product	GB <sub>W</sub>	R <sub>L</sub> =10kΩ, C <sub>L</sub> =100pF		2	3		MHz
Input Resistance	R <sub>IN</sub>				10 <sup>12</sup>		Ω
Common Mode Rejection Ratio	CMR	R <sub>S</sub> =50Ω	T <sub>a</sub> =25°C	80	86		dB
			T <sub>MIN</sub> ≤T <sub>a</sub> ≤T <sub>MAX</sub>	80			dB
Supply Voltage Rejection Ratio	SVR	R <sub>S</sub> =50Ω	T <sub>a</sub> =25°C	80	86		dB
			T <sub>MIN</sub> ≤T <sub>a</sub> ≤T <sub>MAX</sub>	80			dB
Supply Current	I <sub>CC</sub>	No Load	T <sub>a</sub> =25°C		1.4	2.5	mA
			T <sub>MIN</sub> ≤T <sub>a</sub> ≤T <sub>MAX</sub>			2.5	mA
Channel Separation	V <sub>O1</sub> /V <sub>O2</sub>	G <sub>V</sub> =100			120		dB
Output Short-circuit Current	I <sub>O(SC)</sub>	T <sub>a</sub> =25°C		10	40	60	mA
		T <sub>MIN</sub> ≤T <sub>a</sub> ≤T <sub>MAX</sub>		10		60	mA
Slew Rate	SR	V <sub>IN</sub> =10V, R <sub>L</sub> =2kΩ, C <sub>L</sub> =100pF, unity gain		8	13		V/μs
Rise Time	t <sub>R</sub>	V <sub>IN</sub> =20mV, R <sub>L</sub> =2kΩ, C <sub>L</sub> =100pF, unity gain			0.1		μs
Overshoot Factor	K <sub>ov</sub>	V <sub>IN</sub> =20mV, R <sub>L</sub> =2kΩ, C <sub>L</sub> =100pF, unity gain			10		%
Total Harmonic Distortion	THD	G <sub>V</sub> =20dB, f=1kHz, R <sub>L</sub> =2kΩ, C <sub>L</sub> =100pF, V <sub>OUT</sub> =2Vpp)			0.01		%
Phase Margin					45		Deg.
Equivalent Input Noise Voltage	eN	R <sub>S</sub> =100Ω, f=1KHz			15		

\*The Input bias currents are junction leakage currents, which approximately double for every 10°C increase in the junction temperature.

■ PARAMETER MEASUREMENT INFORMATION

Figure 1. Voltage Follow

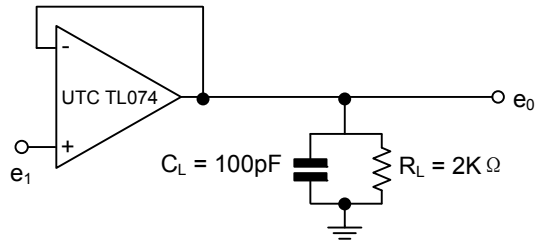
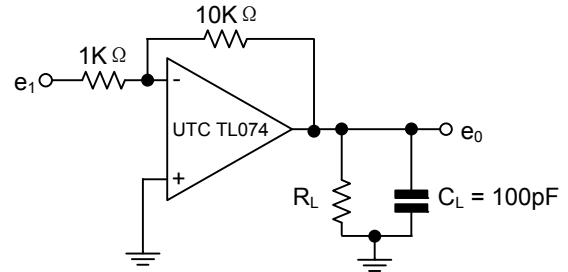
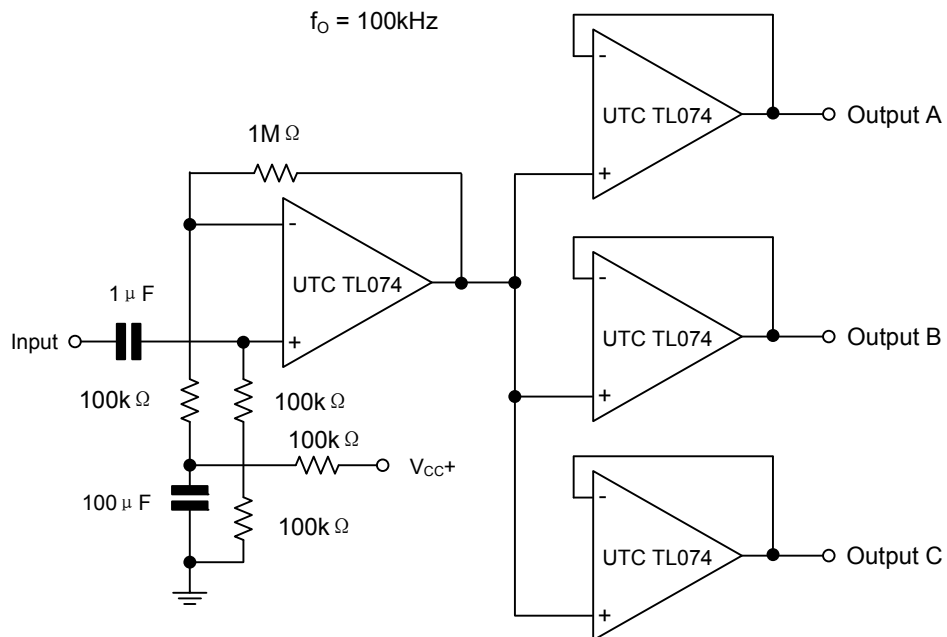


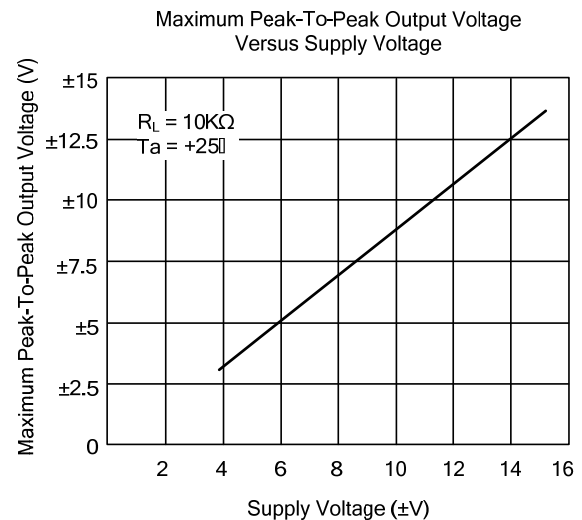
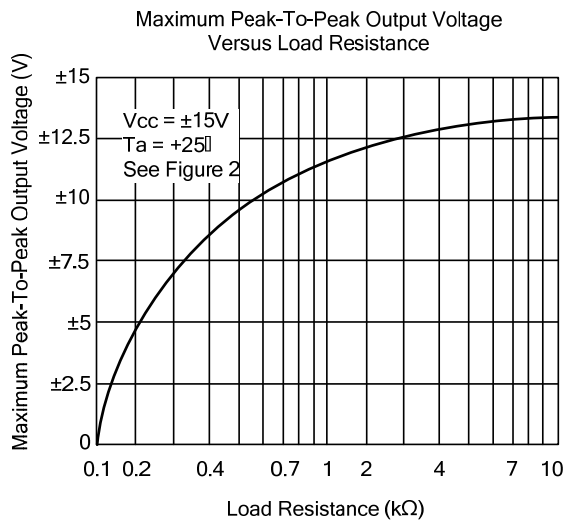
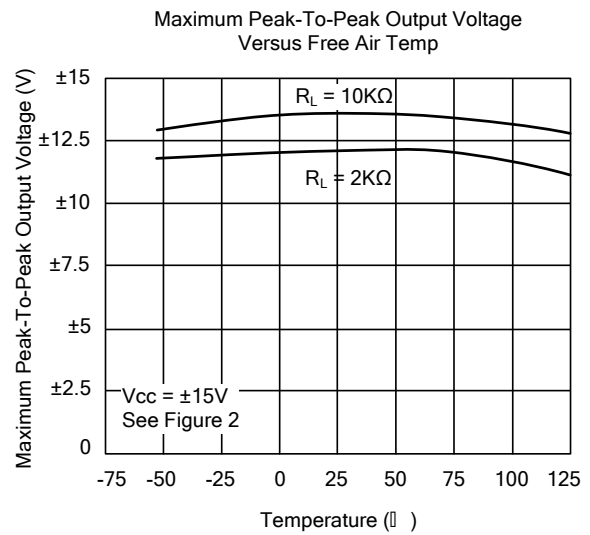
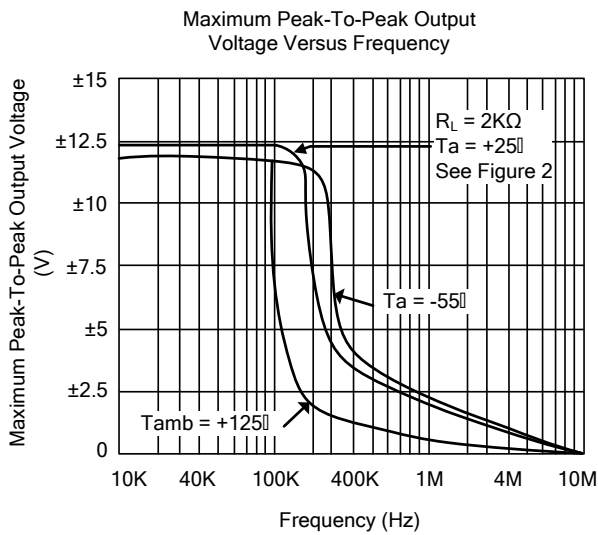
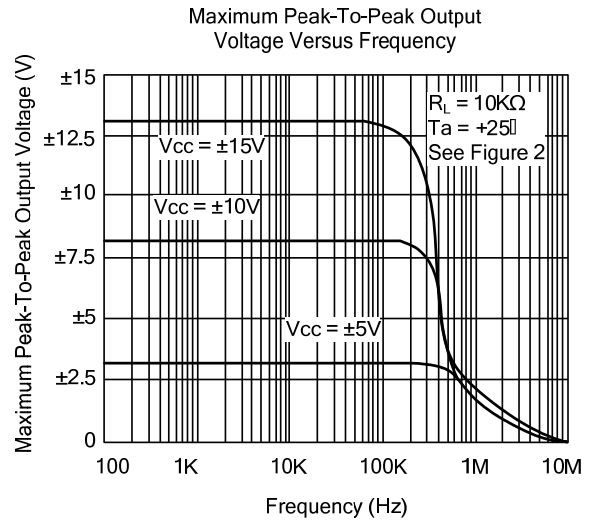
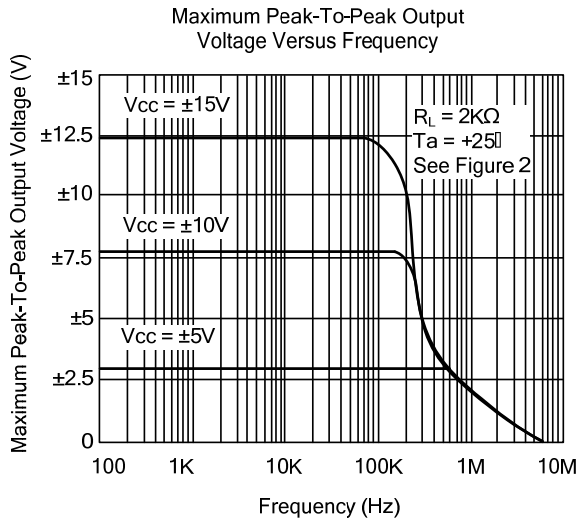
Figure 2. Gain-of-10 Inverting Amplifier



### ■ TYPICAL APPLICATION

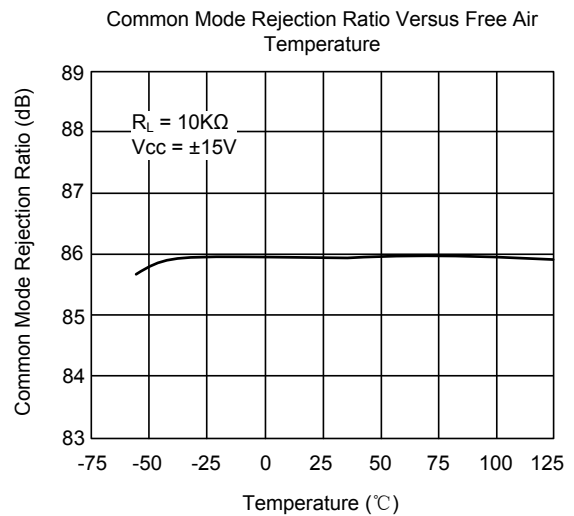
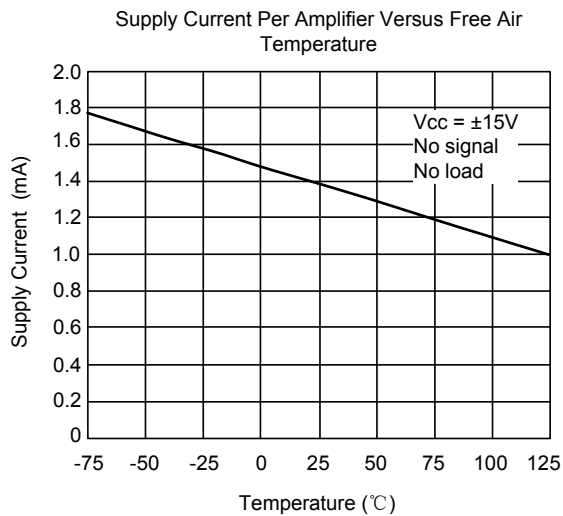
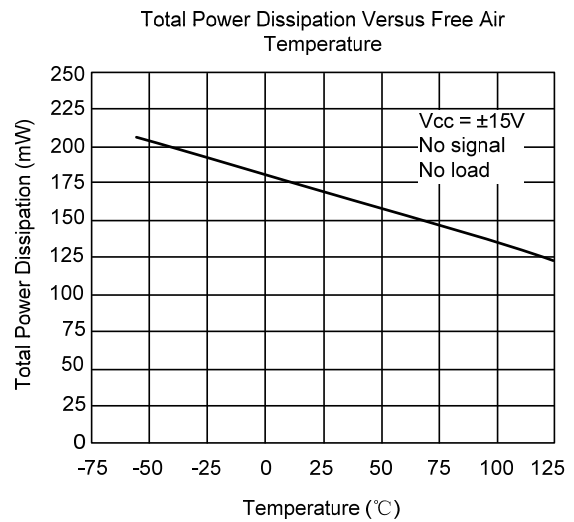
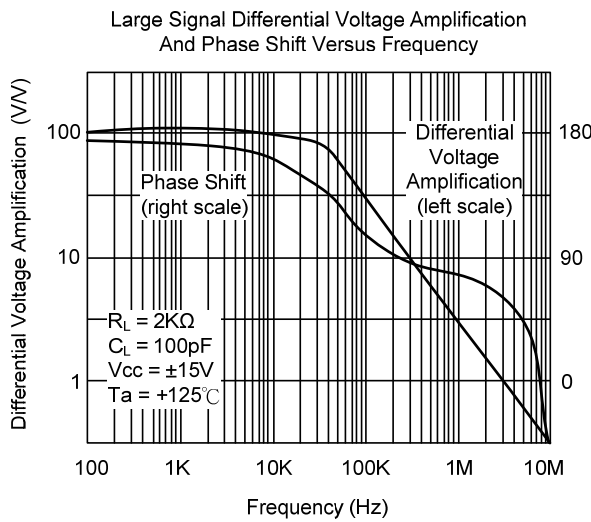
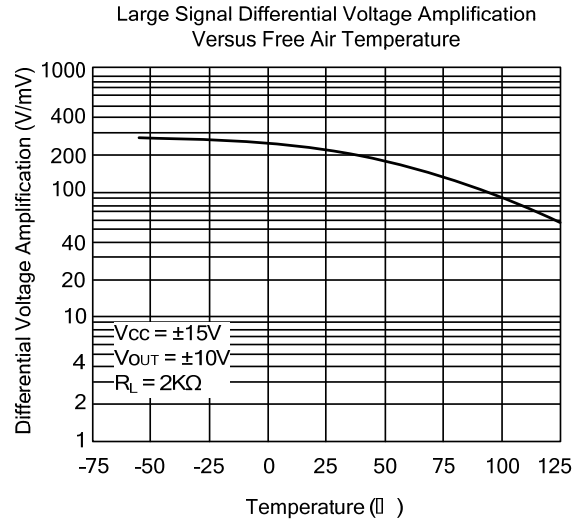
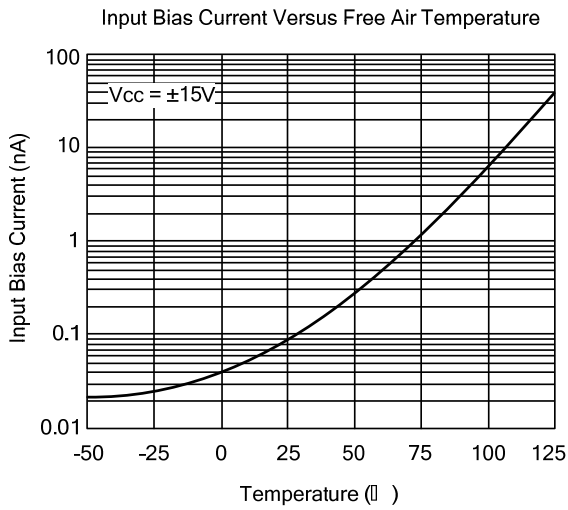


## TYPICAL CHARACTERISTICS

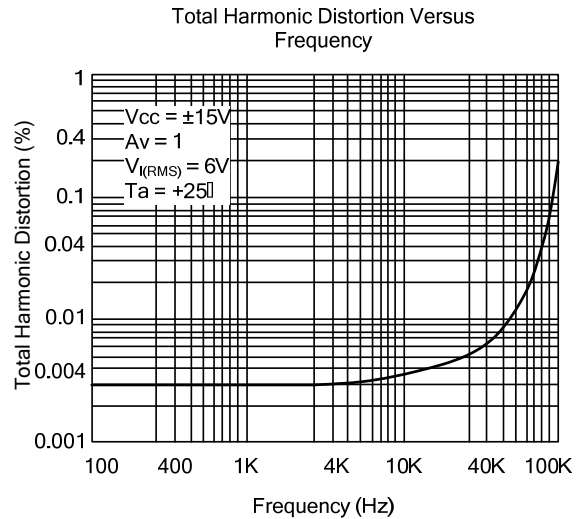
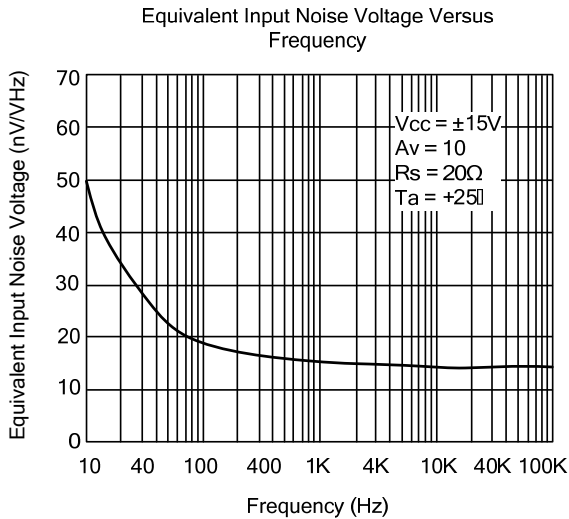
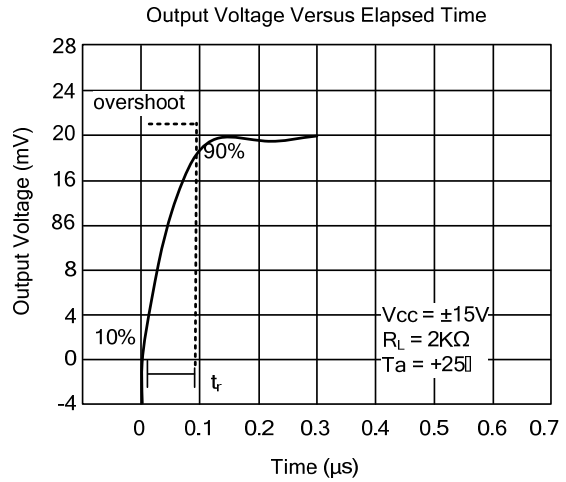
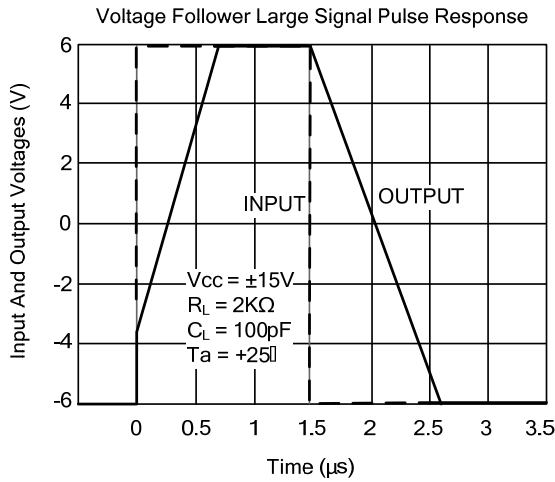




■ TYPICAL CHARACTERISTICS(Cont.)



■ TYPICAL CHARACTERISTICS(Cont.)



UTC assumes no responsibility for equipment failures that result from using products at values that exceed, even momentarily, rated values (such as maximum ratings, operating condition ranges, or other parameters) listed in products specifications of any and all UTC products described or contained herein. UTC products are not designed for use in life support appliances, devices or systems where malfunction of these products can be reasonably expected to result in personal injury. Reproduction in whole or in part is prohibited without the prior written consent of the copyright owner. The information presented in this document does not form part of any quotation or contract, is believed to be accurate and reliable and may be changed without notice.

## X-ON Electronics

Largest Supplier of Electrical and Electronic Components

*Click to view similar products for [Operational Amplifiers - Op Amps](#) category:*

*Click to view products by [Unisonic](#) manufacturer:*

Other Similar products are found below :

[LM358SNG](#) [430227FB](#) [AZV831KTR-G1](#) [LT1678IS8](#) [042225DB](#) [058184EB](#) [SC2902DG](#) [UPC258G2-A](#) [NCS5651MNTXG](#)  
[NCV33202DMR2G](#) [NJM324E](#) [NTE925](#) [5962-9080901MCA\\*](#) [AP4310AUMTR-AG1](#) [HA1630D02MMEL-E](#) [HA1630S01LPEL-E](#)  
[SCY33178DR2G](#) [NJU77806F3-TE1](#) [NCV5652MUTWG](#) [NCV20034DR2G](#) [LM2902EDR2G](#) [NTE778S](#) [NTE871](#) [NTE924](#) [NTE937](#)  
[MCP6V16UT-E/OT](#) [MCP6V17T-E/MS](#) [MCP6V19T-E/ST](#) [SCY6358ADR2G](#) [LTC2065IUD#PBF](#) [NCS20282FCTTAG](#) [UPC4741G2-E1-A](#)  
[LM4565FVT-GE2](#) [EL5420CRZ-T7A](#) [AS324AMTR-E1](#) [TLV2772QPWR](#) [NJM2100M-TE1](#) [NJM4556AM-TE1](#) [NJM2068M-TE1](#)  
[AS324MTR-E1](#) [AS358MMTR-G1](#) [MCP6232T-EMNY](#) [MCP662-E/MF](#) [TLC081AIP](#) [TLC082AIP](#) [TLE2074ACDW](#) [TLV07IDR](#)  
[TLV2170IDGKT](#) [TLV2455IDR](#) [TLV2461IDR](#)