



UC3846

LINEAR INTEGRATED CIRCUIT

CURRENT MODE PWM CONTROLLER

DESCRIPTION

The UTC **UC3846** control IC offers all necessary features for accomplishment of fixed frequency, current mode control functions, however it contains the least external parts. The performance of this technique is superior to the others in better line regulation, enhanced load response characteristics while designing a simpler and easier control loop for design. It owns topological advantages of inherent pulse-by-pulse current limiting, automatic symmetry correction for push-pull converters, and the ability to parallel "power modules" for equal current sharing.

Protection loop includes soft start, built-in under-voltage lockout and programmable current limit. The shutdown circuitry can provide either a complete shutdown with automatic restart or the supply off-latch.

In addition, many other features can also be available, including fully latched operation, double pulse suppression, deadline adjust, and a $\pm 1\%$ trimmed bandgap reference.

The UTC **UC3846** features low outputs in the OFF state.

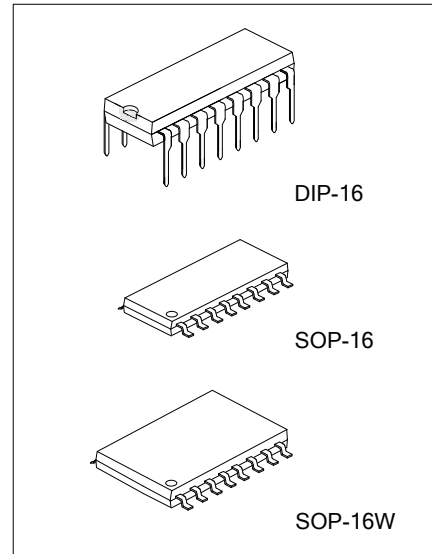
FEATURES

- * Built-in under-voltage lockout
- * Soft start
- * Shutdown function
- * 500KHZ operation
- * Feed forward compensation
- * $\pm 1\%$ bandgap reference
- * Programmable pulse-by-pulse current limiting
- * Improved load response characteristics
- * Parallel operation capability for modular power systems
- * Differential current sense amplifier with wide common mode range
- * Double pulse suppression
- * 500mA (Peak) totem-pole outputs
- * Automatic symmetry correction in push-pull configuration

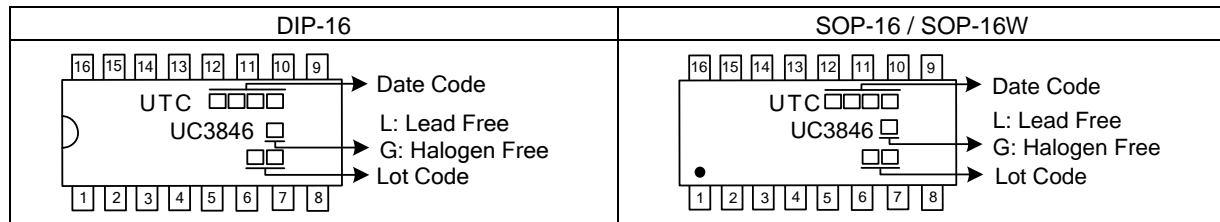
ORDERING INFORMATION

Ordering Number		Package	Packing
Lead Free	Halogen Free		
UC3846L-D16-T	UC3846G-D16-T	DIP-16	Tube
UC3846L-S16-T	UC3846G-S16-T	SOP-16	Tube
UC3846L-S16-R	UC3846G-S16-R	SOP-16	Tape Reel
UC3846L-S16W-T	UC3846G-S16W-T	SOP-16W	Tube
UC3846L-S16W-R	UC3846G-S16W-R	SOP-16W	Tape Reel

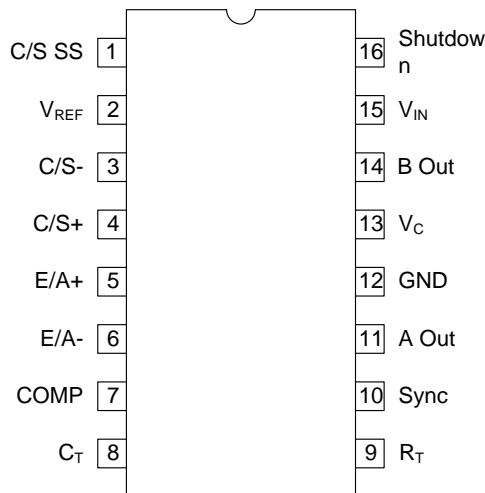
<p>UC3846G-D16-T</p>	<p>(1) T: Tube, R: Tape Reel (2) D16: DIP-16, S16: SOP-16, S16W: SOP-16W (3) G: Halogen Free and Lead Free, L: Lead Free</p>
----------------------	--



MARKING



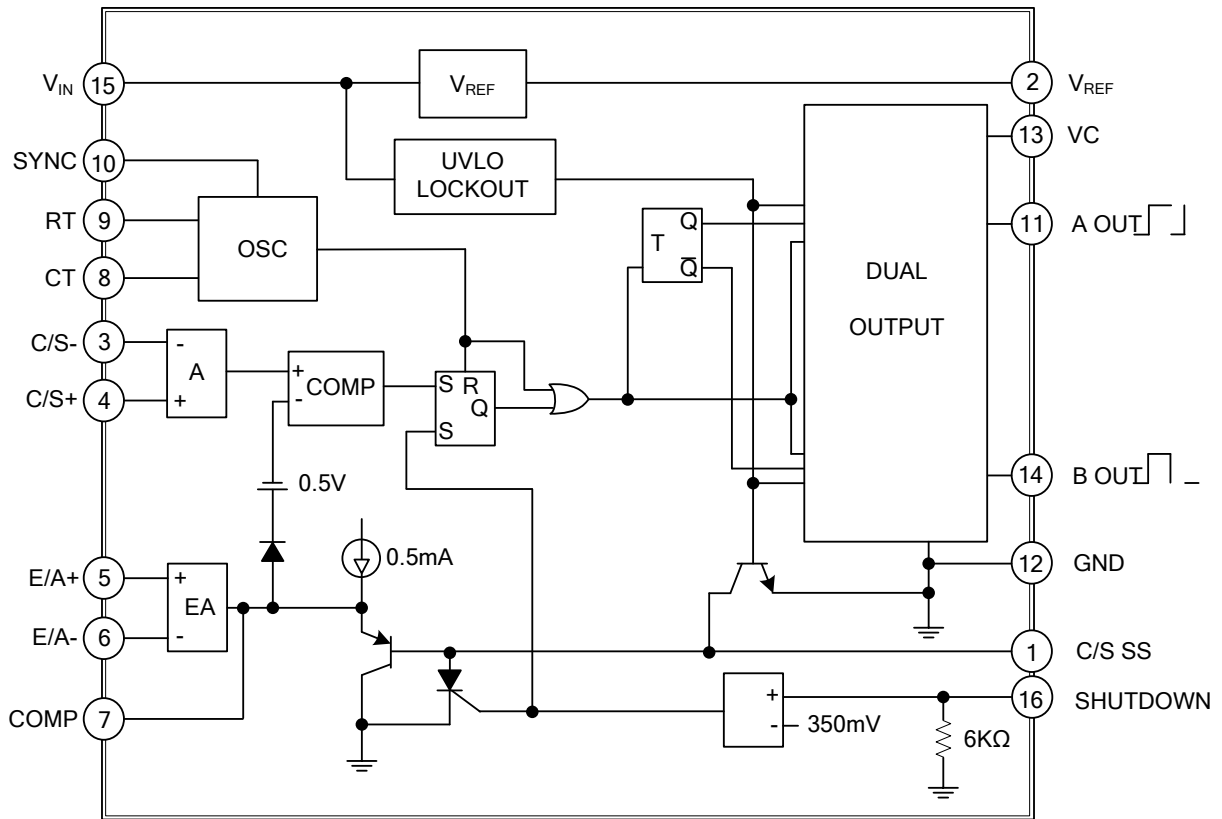
PIN CONFIGURATION



PIN DESCRIPTION

PIN NO.	PIN NAME	DESCRIPTION
1	C/S SS	Adjustment of Current Limiting
2	V_{REF}	Internal Reference Voltage
3	C/S-	Forward Input of Current Limiting
4	C/S+	Backward Input of Current Limiting
5	E/A+	Forward Input of Error Amplifier
6	E/A-	Backward Input of Error Amplifier
7	COMP	Output of Error Amplifier
8	C_T	External Capacity for Frequency
9	R_T	External Resistor for Frequency
10	SYNC	Synchronization for Frequency of Oscillator
11	A OUT	Dual Output A
12	GND	Ground
13	V_C	Power Supply of the Collector
14	B OUT	Dual Output B
15	V_{IN}	DC Power Supply Input
16	SHUTDOWN	Shutdown Controller

■ BLOCK DIAGRAM



■ ABSOLUTE MAXIMUM RATING (Note)

PARAMETER	SYMBOL	RATINGS	UNIT
Supply Voltage (Pin 15)	V_{IN}	+40	V
Collector Supply Voltage (Pin 13)	V_C	+40	V
Output Current, Source or Sink (Pins 11, 14)	I_O	500	mA
Analog Inputs (Pins 3, 4, 5, 6, 16)	V_A	-0.3 ~ + V_{IN}	V
Reference Output Current (Pin 2)	I_{REF}	-30	mA
Sync Output Current (Pin 10)	$I_{SYNC-OUT}$	-5	mA
Error Amplifier Output Current (Pin 7)	I_{O-EA}	-5	mA
Soft Start Sink Current (Pin 1)	I_{SINK}	50	mA
Oscillator Charging Current (Pin 9)	I_{OSC}	5	mA
Power Dissipation	$T_A=25^\circ\text{C}$	P_D	1000
	$T_C=25^\circ\text{C}$		2000
Storage Temperature	T_{STG}	-65 ~ +150	$^\circ\text{C}$

Note: Absolute maximum ratings are those values beyond which the device could be permanently damaged. Absolute maximum ratings are stress ratings only and functional device operation is not implied.

■ ELECTRICAL CHARACTERISTICS

($T_J=T_A=0^\circ\text{C}\sim+70^\circ\text{C}$, $V_{IN}=15\text{V}$, $R_T=10\text{k}$, $C_T=4.7\text{nF}$, Unless otherwise specified)

PARAMETER	SYMBOL	TEST CONDITIONS	MIN	TYP	MAX	UNIT
REFERENCE SECTION						
Output Voltage	V_{REF}	$T_J=25^\circ\text{C}$, $I_O=1\text{mA}$	5.0	5.1	5.2	V
Line Regulation	ΔV_1	$V_{IN}=8\text{V}\sim 40\text{V}$		5	20	mV
Load Regulation	ΔV_2	$I_L=1\text{mA}\sim 10\text{mA}$		3	15	mV
Temperature Stability	V_S	Over Operating Range, (Note 2)		0.4		mV/ $^\circ\text{C}$
Total Output Variation	V_{REF-O}	Line, Load, and Temperature (Note 2)	4.95		5.25	V
Output Noise Voltage	V_N	$10\text{Hz}\leq f\leq 10\text{kHz}$, $T_J=25^\circ\text{C}$ (Note 2)		100		μV
Long Term Stability	ΔV_3	$T_J=125^\circ\text{C}$, 1000 Hrs. (Note 2)		5		mV
Short Circuit Output Current	I_S	$V_{REF}=0\text{V}$	-10	-45		mA
OSCILLATOR SECTION						
Initial Accuracy	F_{OSC}	$T_J=25^\circ\text{C}$	39	43	47	kHz
Voltage Stability	ΔV	$V_{IN}=8\text{V}\sim 40\text{V}$		-1	2	%
Temperature Stability	ΔT_S	Over Operating Range (Note 2)		-1		%
Sync Output High Level	$V_{OH(SYNC)}$		3.9	4.35		V
Sync Output Low Level	$V_{OL(SYNC)}$			2.3	2.5	V
Sync Input High Level	$V_{IH(SYNC)}$	Pin 8=0V	3.9			V
Sync Input Low Level	$V_{IL(SYNC)}$	Pin 8=0V			2.5	V
Sync Input Current	I_{SYNC}	Sync Voltage=3.9V, Pin 8=0V		1.3	1.5	mA
ERROR AMP SECTION						
Input Offset Voltage	V_{IO}			0.5	10	mV
Input Bias Current	I_{BIAS}			-0.6	-2	μA
Input Offset Current	I_{IO}			40	250	nA
Common Mode Range	V_{CM}	$V_{IN}=8\text{V}\sim 40\text{V}$	0		$V_{IN}-2\text{V}$	V
Open Loop Voltage Gain	G_{VO}	$\Delta V_O=1.2\sim 3\text{V}$, $V_{CM}=2\text{V}$	80	105		dB
Unity Gain Bandwidth	B	$T_J=25^\circ\text{C}$ (Note 2)	0.7	1.0		MHz
CMRR	$CMRR_A$	$V_{CM}=0\text{V}\sim 38\text{V}$, $V_{IN}=40\text{V}$	75	100		dB
PSRR	$PSRR_A$	$V_{IN}=8\text{V}\sim 40\text{V}$	80	105		dB
Output Sink Current	I_{SINK}	$V_{ID}=-15\text{mV}\sim -5\text{V}$, $V_{PIN 7}=1.2\text{V}$	2	6		mA
Output Source Current	I_{SOURCE}	$V_{ID}=15\text{mV}\sim 5\text{V}$, $V_{PIN 7}=2.5\text{V}$	-0.2	-0.5		mA
High Level Output Voltage	V_{OH}	$R_L=(\text{Pin } 7) 15\text{k}\Omega$	4.3	4.6		V
Low Level Output Voltage	V_{OL}			0.7	1	

■ ELECTRICAL CHARACTERISTICS (Cont.)

PARAMETER	SYMBOL	TEST CONDITIONS	MIN	TYP	MAX	UNIT
CURRENT SENSE AMPLIFIER SECTION						
Amplifier Gain	G_A	$V_{PIN\ 3}=0V$, Pin 1 Open (Note 3, 4)	2.5	2.75	3.0	V
Maximum Differential Input Signal ($V_{PIN\ 4}-V_{PIN\ 3}$)	$V_{IN(MAX)}$	Pin 1 Open (Note 3), R_L (Pin 7)=15k Ω	1.1	1.2		V
Input Offset Voltage	V_{IO}	$V_{PIN\ 1}=0.5V$, Pin 7 Open (Note 3)		5	25	mV
CMRR	$CMRR_A$	$V_{CM}=1V\sim 12V$	60	83		dB
PSRR	$PSRR_A$	$V_{IN}=8V\sim 40V$	60	84		dB
Input Bias Current	I_{BIAS}	$V_{PIN\ 1}=0.5V$, Pin 7 Open (Note 3)		-2.5	-10	μA
Input Offset Current	I_{IO}	$V_{PIN\ 1}=0.5V$, Pin 7 Open (Note 3)		0.08	1	μA
Input Common Mode Range	ΔV_R		0		$V_{IN}-3$	V
Delay to Outputs	t_D	$T_J=25^\circ C$, (Note 2)		200	500	ns
CURRENT LIMIT ADJUST SECTION						
Current Limit Offset	V_L	$V_{PIN\ 3}=0V$, $V_{PIN\ 4}=0V$, Pin 7 Open (Note 3)	0.45	0.5	0.55	V
Input Bias Current	I_B	$V_{PIN\ 5}=V_{REF}$, $V_{PIN\ 6}=0V$		-10	-30	μA
SHUTDOWN TERMINAL SECTION						
Threshold Voltage	V_{TH}		250	350	550	mV
Input Voltage Range	ΔV_{SHUT}		0		V_{IN}	V
Minimum Latching Current ($I_{PIN\ 1}$)	I_{LATCH}	(Note 6)	3.0	1.5		mA
Maximum Non-Latching Current ($I_{PIN\ 1}$)	$I_{NONLATCH}$	(Note 7)		1.5	0.8	mA
Delay to Outputs	t_{D-SHUT}	$T_J=25^\circ C$ (Note 2)		300	600	ns
OUTPUT SECTION						
Collector-Emitter Voltage	V_T		40			V
Collector Leakage Current	I_L	$V_C=40V$ (Note 5)			200	μA
Output Low Level	V_{OL1}	$I_{SINK}=20mA$		0.1	0.4	V
	V_{OL2}	$I_{SINK}=100mA$		0.4	2.1	V
Output High Level	V_{OH1}	$I_{SOURCE}=20mA$	13	13.5		V
	V_{OH2}	$I_{SOURCE}=100mA$	12	13.2		V
Rise Time	t_R	$C_L=1nF$, $T_J=25^\circ C$ (Note 2)		50	300	ns
Fall Time	t_F	$C_L=1nF$, $T_J=25^\circ C$ (Note 2)		50	300	ns
UNDER-VOLTAGE LOCKOUT SECTION						
Start-Up Threshold	V_{START}			7.7	8.0	V
Threshold Hysteresis	V_H			0.75		V
TOTAL STANDBY CURRENT						
Supply Current	I_T			17	21	mA

Notes: 1. All voltages are with respect to Ground, Pin 13. Currents are positive into, negative out of the specified terminal.

2. These parameters are not 100% tested in production, although guaranteed over the recommended operating conditions

3. Parameter measured at trip point of latch with $V_{PIN\ 5}=V_{REF}$, $V_{PIN\ 6}=0V$.

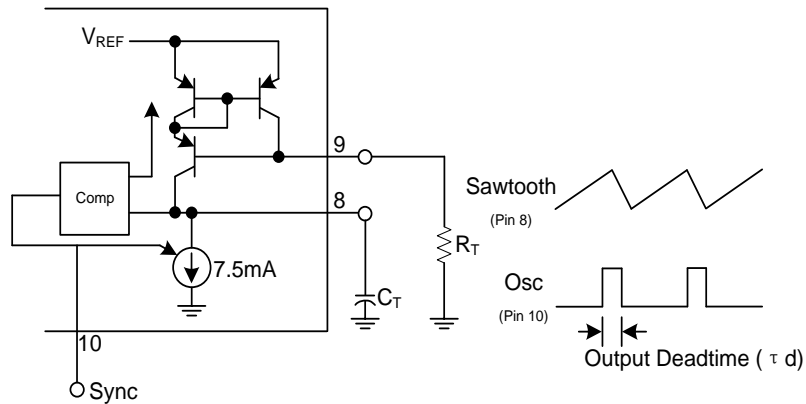
4. Amplifier gain defined as: $G = \frac{\Delta V_{PIN7}}{\Delta V_{PIN4}}$, $V_{PIN4}=0\sim 1.0V$

5. Applies to UTC UC3846 only due to polarity of outputs.

6. Current into Pin 1 guaranteed to latch circuit in shutdown state.

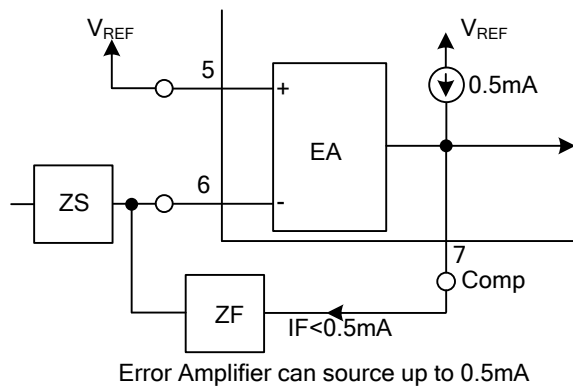
7. Current into Pin 1 guaranteed not to latch circuit in shutdown state.

TEST CIRCUIT



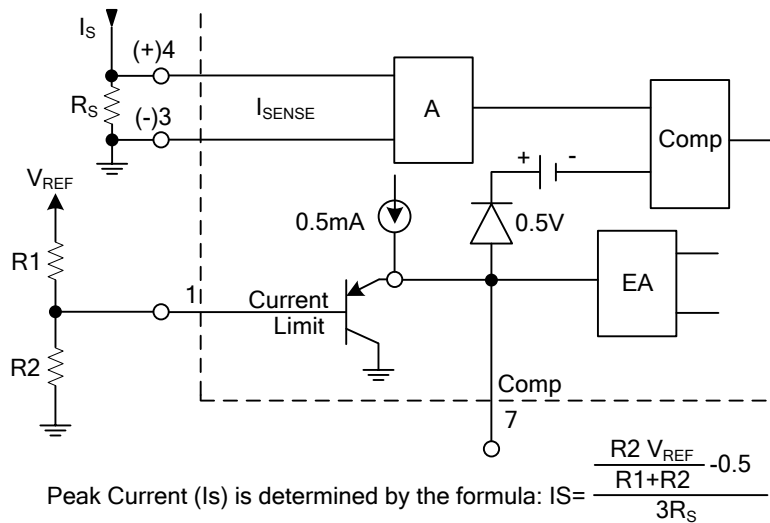
Output deadtime is determined by the external capacitor, C_T , according to the formula: $\tau_d (\mu s) = 145 C_T (\mu f) \left(\frac{I_D}{I_D - \frac{3.6}{R_T(k\Omega)}} \right)$
 I_D = Oscillator discharge current at 25°C is typically 7.5.

Figure 1. Oscillator Circuit



Error Amplifier can source up to 0.5mA

Figure 2. Error Amp Output Configuration



Peak Current (I_s) is determined by the formula: $I_s = \frac{R_2 V_{REF}}{R_1 + R_2} - 0.5$

Figure 3. Pulse by Pulse Current Limiting

■ TEST CIRCUIT (Cont.)

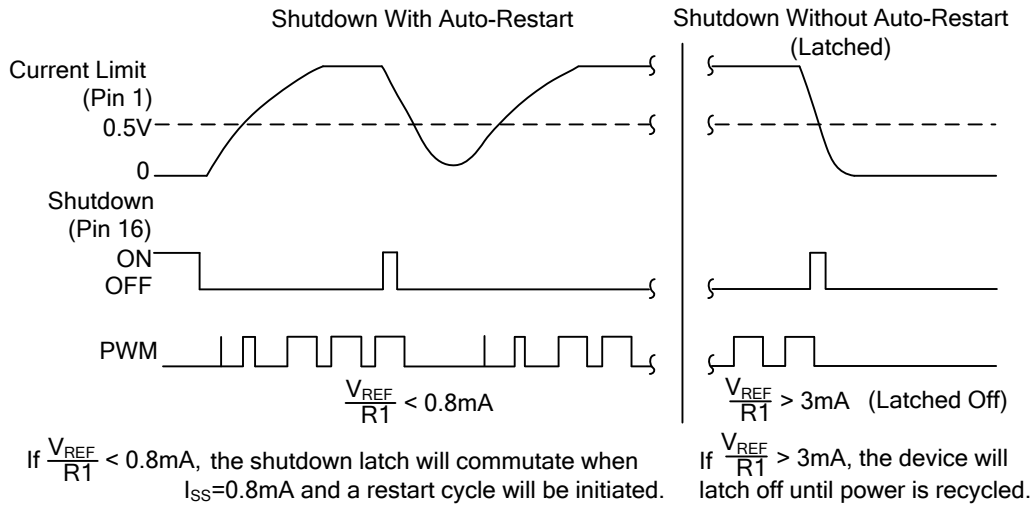
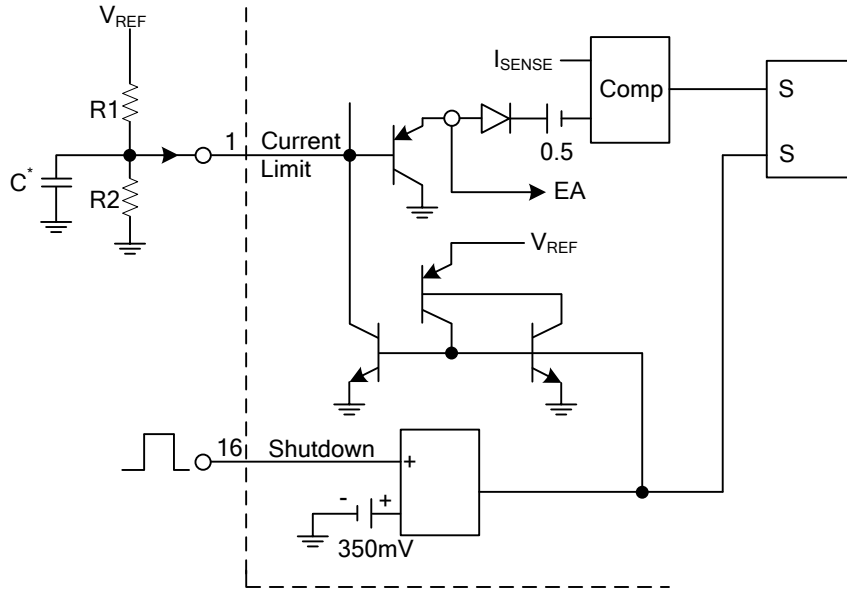
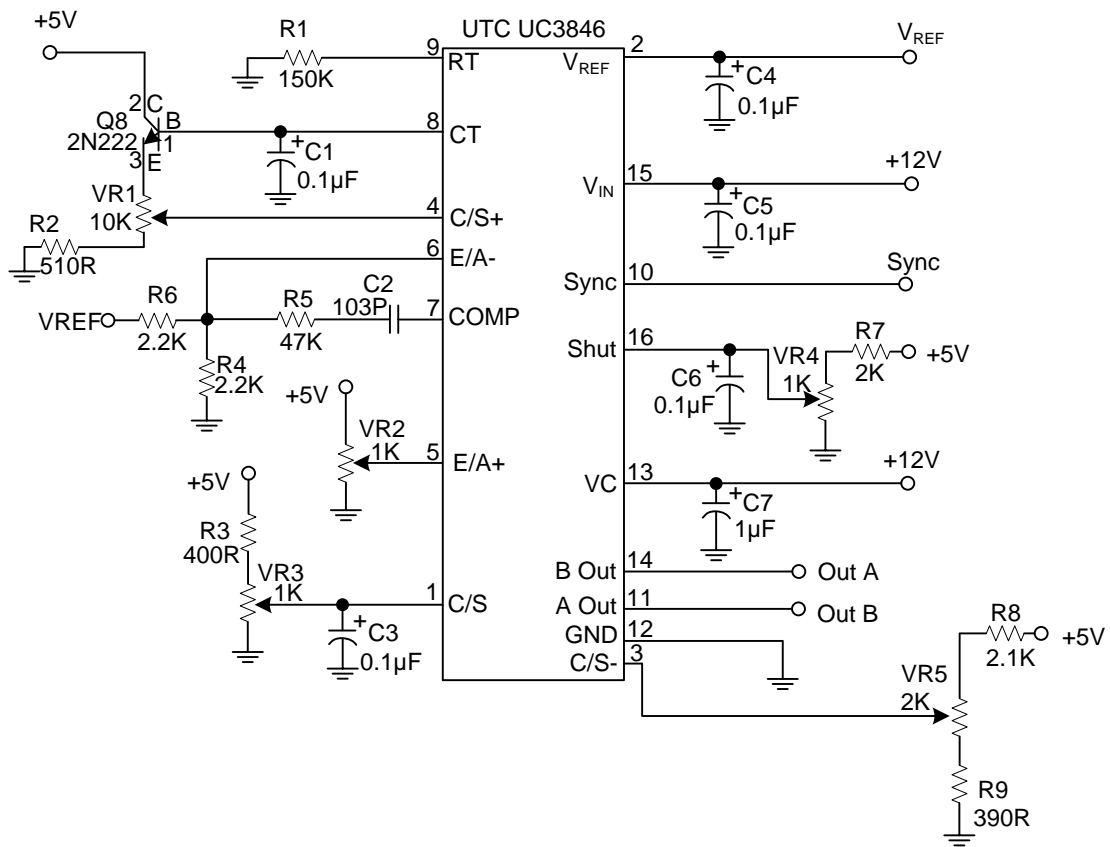


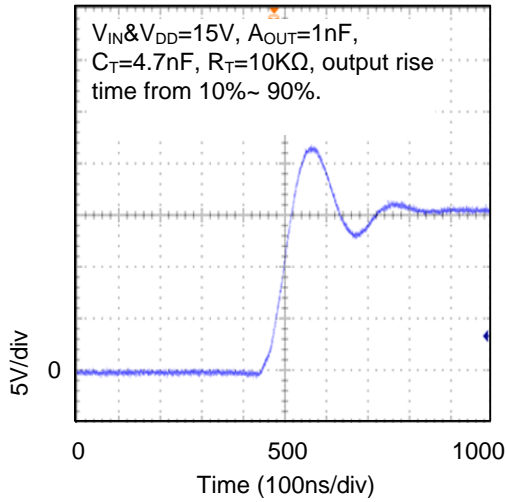
Figure 4. Soft Start and Shutdown /Restart Functions

■ TYPICAL APPLICATION CIRCUIT

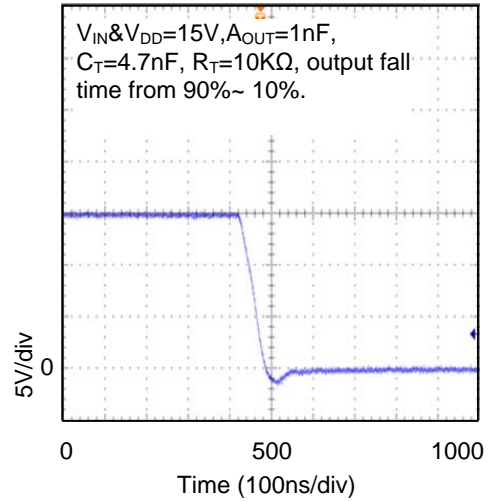


TYPICAL CHARACTERISTICS

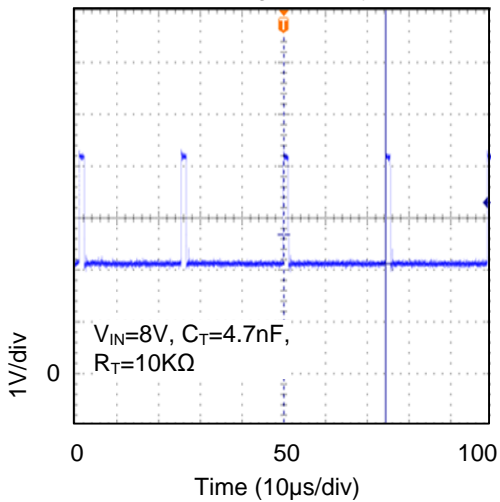
Rising Time



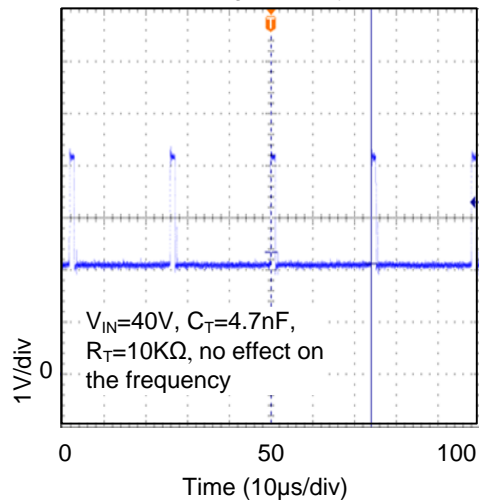
Falling Time



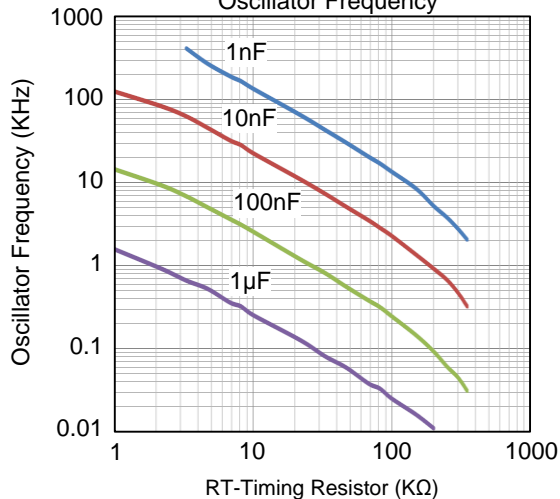
Voltage Stability



Voltage Stability



RT-Timing Resistor Versus
Oscillator Frequency



UTC assumes no responsibility for equipment failures that result from using products at values that exceed, even momentarily, rated values (such as maximum ratings, operating condition ranges, or other parameters) listed in products specifications of any and all UTC products described or contained herein. UTC products are not designed for use in life support appliances, devices or systems where malfunction of these products can be reasonably expected to result in personal injury. Reproduction in whole or in part is prohibited without the prior written consent of the copyright owner. UTC reserves the right to make changes to information published in this document, including without limitation specifications and product descriptions, at any time and without notice. This document supersedes and replaces all information supplied prior to the publication hereof.

X-ON Electronics

Largest Supplier of Electrical and Electronic Components

Click to view similar products for [Switching Voltage Regulators](#) category:

Click to view products by [Unisonic](#) manufacturer:

Other Similar products are found below :

[FAN53610AUC33X](#) [FAN53611AUC123X](#) [EN6310QA](#) [160215](#) [R3](#) [KE177614](#) [FAN53611AUC12X](#) [MAX809TTR](#) [AST1S31PUR](#)
[NCP81103MNTXG](#) [NCP81203PMNTXG](#) [NCP81208MNTXG](#) [PCA9412AUKZ](#) [NCP81109GMNTXG](#) [NCP81109JMNTXG](#) [MP2161AGJ-Z](#)
[NCP81241MNTXG](#) [MPQ4481GU-AEC1-P](#) [MP8756GD-P](#) [MPQ2171GJ-P](#) [MPQ2171GJ-AEC1-P](#) [MP2171GJ-P](#) [NCV1077CSTBT3G](#)
[MP28160GC-Z](#) [MPM3509GQVE-AEC1-P](#) [XDPE132G5CG000XUMA1](#) [MP5461GC-P](#) [IR3888AMTRPBFAUMA1](#) [MPQ4409GQBE-AEC1-](#)
[P](#) [S-19903DA-A8T1U7](#) [S-19903CA-A6T8U7](#) [S-19903CA-S8T1U7](#) [S-19902BA-A6T8U7](#) [S-19902CA-A6T8U7](#) [AP7361EA-SPR-13](#)
[AP7361EA-33DR-13](#) [S-19902AA-A6T8U7](#) [S-19903AA-A6T8U7](#) [S-19902AA-S8T1U7](#) [S-19902BA-A8T1U7](#) [AU8310](#) [LMR36503R5RPER](#)
[LMR36503RFRPER](#) [LMR54406DBVR](#) [XC9110C301MR-G](#) [XC9141A50CMR-G](#) [XCL206F083CR-G](#) [XCL210A111GR-G](#)
[LTM4663EV#PBF](#) [LD5537B1GL](#)