



## UHE4913

CMOS IC

### LOW POWER HALL EFFECT SWITCH

#### DESCRIPTION

**UHE4913** is a low-power integrated Hall switch designed to sense the applied magnetic flux density and give a digital output, which indicates the present condition of the magnitude sensed.

It is mainly designed for battery-powered system and hand-held equipment, such as cellular flip-phones and PDA's, in which power consumption is one major concern. The typical power consumption of UHE4913 is down to 10μW in 2.7V supply.

The output will be at the "High" level when no magnetic field is applied. When the applied magnetic flux density is stronger than the switching threshold, the output would be at the "Low" level.

#### FEATURES

- \* Micropower Operation
- \* 2.4V to 5.5V Battery Operation
- \* Switching for both poles of magnet
- \* Offset Canceling Technology
- \* Superior Temperature Stability
- \* Extremely Low Switch-Point Drift
- \* Insensitive to Physical Stress

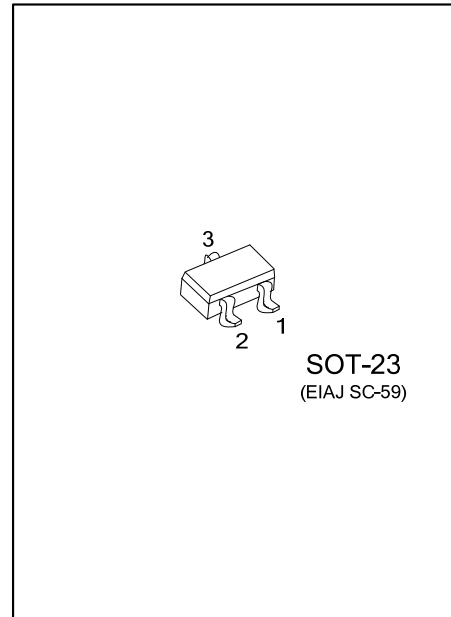
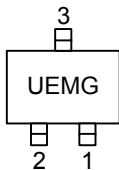
#### ORDERING INFORMATION

Ordering Number	Package	Pin Assignment			Packing
		1	2	3	
UHE4913G-AE3-R	SOT-23	O	I	G	Tape Reel

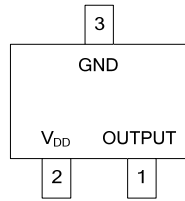
Note: Pin Assignment: O: Output I: V<sub>DD</sub> G: GND

<p>UHE4913G-AE3-R</p> <p>(1) Packing Type (2) Package Type (3) Green Package</p>	<p>(1) R: Tape Reel (2) AE3: SOT-23 (3) G: Halogen Free and Lead Free</p>
--	---

#### MARKING



■ PIN CONFIGURATION

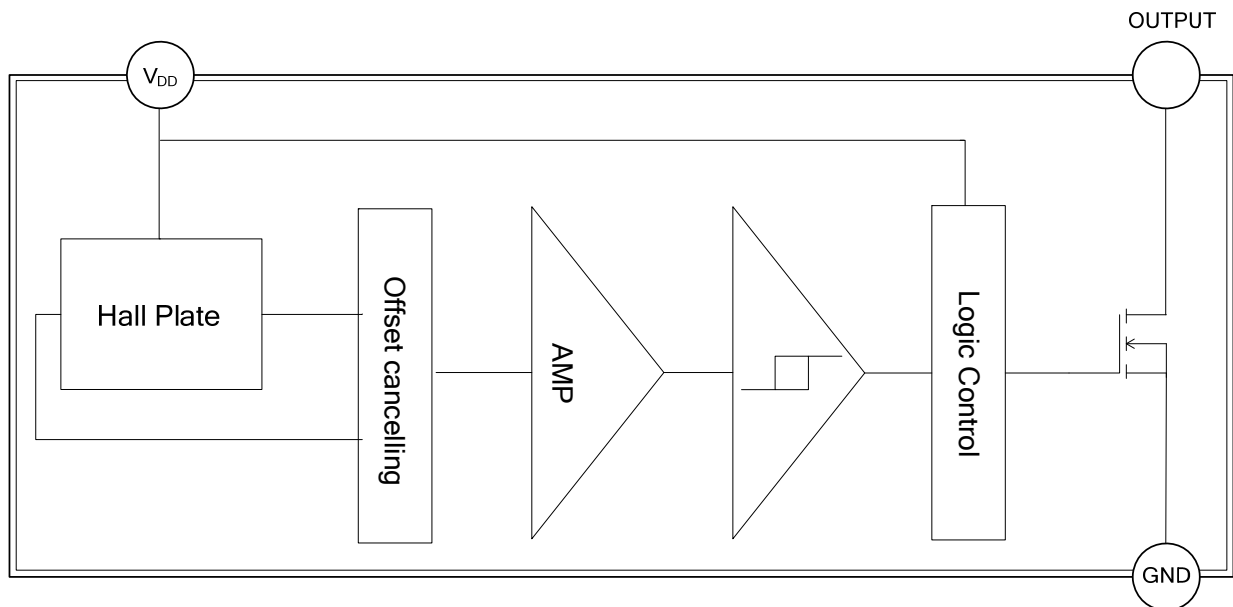


■ PIN DESCRIPTION

PIN NAME	PIN TYPE	PIN DESCRIPTION
V <sub>OUT</sub>	O	Digital Output
V <sub>DD</sub>	I	Power Supply
GND	G	Ground

Note: O=Output, I=Power Supply, G=Ground

■ BLOCK DIAGRAM



## ■ ABSOLUTE MAXIMUM RATING

PARAMETER	SYMBOL	RATINGS	UNIT
Supply Voltage	$V_{DD}$	5.5	V
Supply current	$I_Q$	-1 ~ +2.5	mA
Magnetic Flux Density	B	Unlimited	mT
Junction Temperature	$T_J$	150	°C
Operation Temperature	$T_{OPR}$	-40 ~ +85	°C
Storage Temperature	$T_{STG}$	-40 ~ +150	°C

Note: Absolute maximum ratings are those values beyond which the device could be permanently damaged.  
 Absolute maximum ratings are stress ratings only and functional device operation is not implied.

## ■ RECOMMENDED OPERATING CONDITIONS ( $T_A=25^\circ\text{C}$ )

PARAMETER	SYMBOL	CONDITIONS	MIN	TYP	MAX	UNIT
Supply Voltage	$V_{DD}$	Operating	2.4	2.7	5.5	V
Output Voltage	$V_{OUT}$		-0.3	2.7	5.5	V
Ambient Temperature	$T_A$		-40	25	85	°C

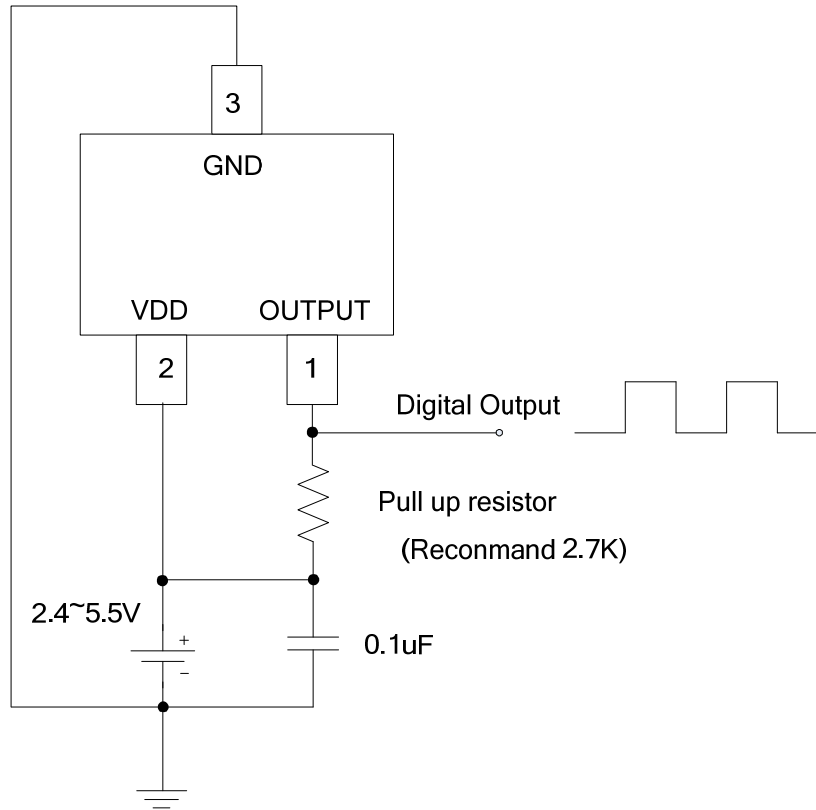
## ■ ELECTRICAL CHARACTERISTICS ( $T_A=25^\circ\text{C}$ )

PARAMETER	SYMBOL	CONDITIONS	MIN	TYP	MAX	UNIT
Output Saturation Voltage	$V_{SAT}$	$V_{DD}=2.7\text{V}$		0.1		V
Output Leakage Current	$I_{OFF}$			0.01		$\mu\text{A}$
Supply Current	$I_{DD(EN)}$	$V_{DD}=2.7\text{V}$		1.1		mA
	$I_{DD(DIS)}$			2.5		$\mu\text{A}$
	$I_{DD(AVG)}$			3	20	$\mu\text{A}$
Operating Time	$T_{OP}$	$V_{DD}=2.7\text{V}$		50		$\mu\text{s}$
Standby Time	$T_{SD}$			130		ms
Duty Cycle	D.C.			0.04		%
Output Rise Time	$t_R$	$R_L=2.7\text{K}\Omega, C_L=10\text{pF}$		0.5	1	$\mu\text{s}$
Output Fall Time	$t_F$	$R_L=2.7\text{K}\Omega, C_L=10\text{pF}$		0.1	1	$\mu\text{s}$

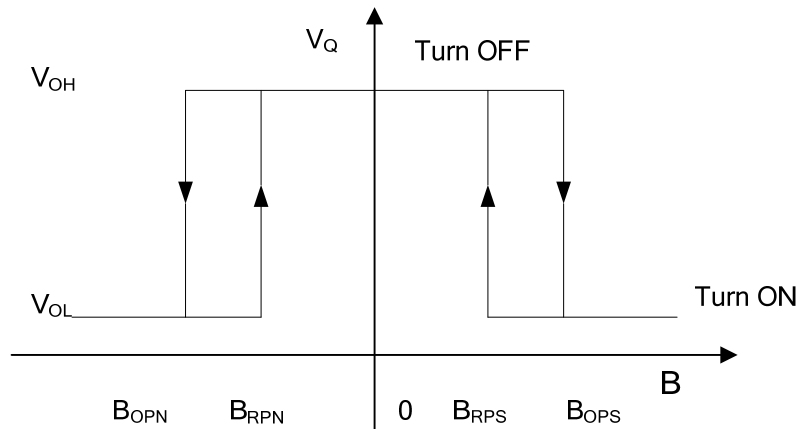
## ■ MAGNETIC CHARACTERISTICS ( $T_A=25^\circ\text{C}, V_{DD}=2.7\text{V}$ )

PARAMETER	SYMBOL	MIN	TYP	MAX	UNIT
Operation Points	$ B_{OP} $	20	35	50	Gauss
Release Points	$ B_{RP} $	12	27	42	
Hysteresis	$ B_{OP}-B_{RP} $	2	8	16	

■ TYPICAL APPLICATION CIRCUIT



■ MAGNETIC FLUX



UTC assumes no responsibility for equipment failures that result from using products at values that exceed, even momentarily, rated values (such as maximum ratings, operating condition ranges, or other parameters) listed in products specifications of any and all UTC products described or contained herein. UTC products are not designed for use in life support appliances, devices or systems where malfunction of these products can be reasonably expected to result in personal injury. Reproduction in whole or in part is prohibited without the prior written consent of the copyright owner. The information presented in this document does not form part of any quotation or contract, is believed to be accurate and reliable and may be changed without notice.

## X-ON Electronics

Largest Supplier of Electrical and Electronic Components

*Click to view similar products for [Industrial Hall Effect/Magnetic Sensors](#) category:*

*Click to view products by [Unisonic](#) manufacturer:*

Other Similar products are found below :

[GT-14114](#) [GT-14123](#) [GTN2C15C](#) [GT-12076](#) [GT-14049](#) [GT-14067](#) [GT-14132](#) [GT-18030](#) [MZ07A108](#) [PST360G2-1S-C0000-ERA360-05K](#)  
[MZC1-2V2PS-KP0](#) [PSC360G2-F1P-C0000-ERA360-05K-200](#) [115L 9E 502 W06017](#) [115L 5,2E 502 W06017](#) [115L 14E 502 W06017](#)  
[103SR14A-1](#) [55100-3H-04-A](#) [MZT7-03VPS-KW0](#) [MZT8-03VPS-KW0](#) [A1326LLHLT-T](#) [ACS770LCB-100U-PFF-T](#) [55505-00-02-B](#) [GN](#)  
[55.2-ND-15-3](#) [GN 55.2-ND-18-3](#) [GN 55.2-ND-4-3](#) [GN 55.2-ND-8-3](#) [GN 55.2-SC-10-3](#) [GN 55.4-ND-10-7,5-2](#) [GN 55.4-ND-12-9,5-2,5](#) [GN](#)  
[55.4-ND-26-20,3-5](#) [GN 55.4-ND-7,5-4-1,5](#) [101MG7-BP](#) [103SR18-1](#) [A1324LUA-T](#) [MXM1120KIT](#) [MXM1120SOKIT](#) [AA006-02E](#) [55140-](#)  
[3H-03-A](#) [55100-2M-02-A](#) [MM12-60APS-ZUK](#) [ACX04-F99-I-V15](#) [GN 55.1-SC-24-11.5-4](#) [MZA70155](#) [MZR40158](#) [PW520000](#) [MZT7-](#)  
[03VPS-KP0](#) [MZT8-03VPS-KR0](#) [MZT8-03VPS-KP0](#) [RZT7-03ZRS-KP0](#) [RZT7-03ZRS-KW0](#)