



## UK2962

Power MOSFET

### SILICON N-CHANNEL MOS TYPE FIELD EFFECT TRANSISTOR

#### DESCRIPTION

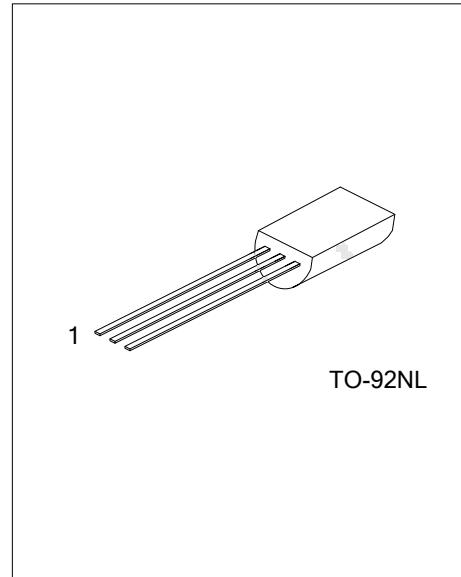
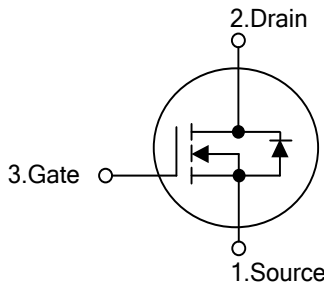
The UTC **UK2962** is a silicon N-Channel MOS type field effect transistor, it uses UTC's advanced technology to provide the customers with a minimum on state resistance and low leakage current, etc.

The UTC **UK2962** is suitable for chopper regulator, DC-DC converter and motor drive applications.

#### FEATURES

- \* Low  $R_{DS(ON)}$
- \* Low leakage current
- \* High forward transfer admittance

#### SYMBOL



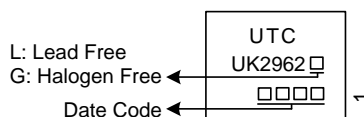
#### ORDERING INFORMATION

Ordering Number		Package	Pin Assignment			Packing
Lead Free	Halogen Free		1	2	3	
UK2962L-T9N-B	UK2962G-T9N-B	TO-92NL	S	D	G	Tape Box
UK2962L-T9N-K	UK2962G-T9N-K	TO-92NL	S	D	G	Bulk

Note: Pin Assignment: S: Source D: Drain G: Gate

<p>UK2962G-T9N-B</p> <p>(1)Packing Type</p> <p>(2)Package Type</p> <p>(3)Green Package</p>	<p>(1) B: Tape Box, K: Bulk</p> <p>(2) T9N: TO-92NL</p> <p>(3) G: Halogen Free and Lead Free, L: Lead Free</p>
--	--

#### MARKING



■ **ABSOLUTE MAXIMUM RATINGS** ( $T_A=25^\circ\text{C}$ , unless otherwise specified)

PARAMETER	SYMBOL	RATINGS	UNIT
Drain-Source Voltage	$V_{DSS}$	100	V
Drain-Gate Voltage ( $R_{GS}=20\text{k}\Omega$ )	$V_{DGR}$	100	V
Gate-Source Voltage	$V_{GSS}$	$\pm 20$	V
Drain Current (Note 1)	DC	$I_D$	1.0
	Pulse	$I_{DP}$	3.0
Avalanche Current	$I_{AR}$	1.0	A
Repetitive Avalanche Energy (Note 3)	$E_{AR}$	0.09	mJ
Single Pulse Avalanche Energy (Note 2)	$E_{AS}$	137	mJ
Drain Power Dissipation	$P_D$	0.9	W
Channel Temperature	$T_{CH}$	+150	$^\circ\text{C}$
Operating Temperature	$T_{OPR}$	-40 ~ +150	$^\circ\text{C}$
Storage Temperature Range	$T_{STG}$	-55 ~ +150	$^\circ\text{C}$

Note: Absolute maximum ratings are those values beyond which the device could be permanently damaged.  
Absolute maximum ratings are stress ratings only and functional device operation is not implied.

■ **THERMAL DATA**

PARAMETER	SYMBOL	RATINGS	UNIT
Junction to Ambient	$\theta_{JA}$	138	$^\circ\text{C/W}$

## ■ ELECTRICAL CHARACTERISTICS (T<sub>A</sub>=25°C, unless otherwise specified)

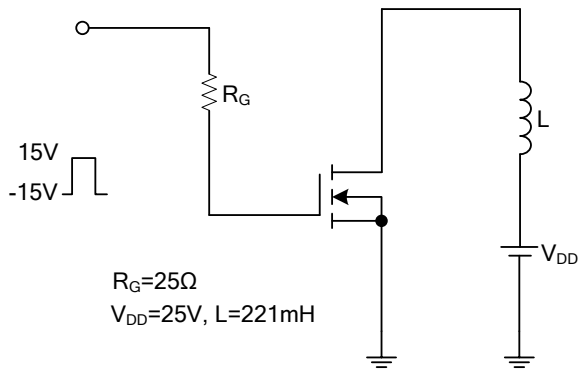
PARAMETER	SYMBOL	TEST CONDITIONS	MIN	TYP	MAX	UNIT	
<b>OFF CHARACTERISTICS</b>							
Drain-Source Breakdown Voltage	BV <sub>DSS</sub>	I <sub>D</sub> =10mA, V <sub>GS</sub> =0V	100			V	
Drain Cut-Off Current	I <sub>DSS</sub>	V <sub>DS</sub> =100V, V <sub>GS</sub> =0V			100	μA	
Gate-Body Leakage Current	I <sub>GSS</sub>	V <sub>GS</sub> =±16V, V <sub>DS</sub> =0V			±10	μA	
<b>ON CHARACTERISTICS</b>							
Gate Threshold Voltage	V <sub>GS(TH)</sub>	V <sub>DS</sub> =10V, I <sub>D</sub> =1.0mA	1.3		2.0	V	
Static Drain-Source On-State Resistance	R <sub>DS(ON)</sub>	V <sub>GS</sub> =4.0V, I <sub>D</sub> =0.5A		0.65	0.95	Ω	
		V <sub>GS</sub> =10V, I <sub>D</sub> =0.5A		0.5	0.7	Ω	
Forward Transfer Admittance	Y <sub>FS</sub>	V <sub>DS</sub> =10V, I <sub>D</sub> =0.5A	0.6	1.2		S	
<b>DYNAMIC PARAMETERS</b>							
Input Capacitance	C <sub>ISS</sub>	V <sub>GS</sub> =0V, V <sub>DS</sub> =10V, f=1.0MHz		140		pF	
Reverse Transfer Capacitance	C <sub>RSS</sub>			20		pF	
Output Capacitance	C <sub>OSS</sub>			45		pF	
<b>SWITCHING PARAMETERS</b>							
Total Gate Charge (Gate-Source Plus Gate-Drain)	Q <sub>G</sub>	V <sub>GS</sub> =10V, V <sub>DD</sub> ≈80V, I <sub>D</sub> =1.0A		6.3		nC	
Gate to Source Charge	Q <sub>GS</sub>			4.3		nC	
Gate-Drain ("Miller") Charge	Q <sub>GD</sub>			2.0		nC	
Turn-ON Time	t <sub>ON</sub>			13		ns	
Rise Time	t <sub>R</sub>				8		ns
Turn-OFF Time	t <sub>OFF</sub>				175		ns
Fall-Time	t <sub>F</sub>				45		ns
			Duty ≤ 1%, t <sub>W</sub> =10μs				
<b>SOURCE- DRAIN DIODE RATINGS AND CHARACTERISTICS</b>							
Continuous Drain Reverse Current (Note 1)	I <sub>DR</sub>				1.0	A	
Pulse Drain Reverse Current (Note 1)	I <sub>DRP</sub>				3.0	A	
Diode Forward Voltage	V <sub>DSF</sub>	I <sub>DR</sub> =1.0A, V <sub>GS</sub> =0V			-1.5	V	
Reverse Recovery Time	t <sub>rr</sub>	I <sub>DR</sub> =1.0A, V <sub>GS</sub> =0V, dI <sub>DR</sub> /dt=50A/μs		80		ns	
Reverse Recovery Charge	Q <sub>rr</sub>				140		nC

Notes: 1. Please use devices on condition that the channel temperature is below 150°C

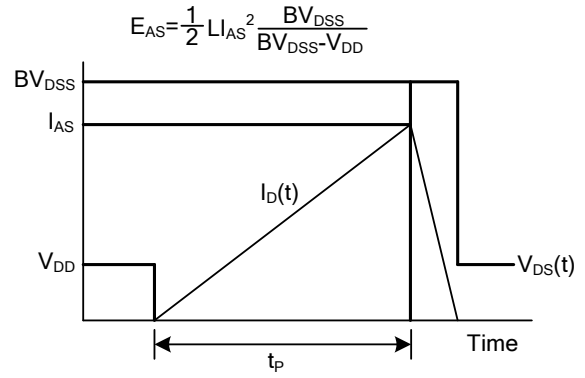
2. V<sub>DD</sub>=25V, T<sub>CH</sub>=25°C (initial), L=221mH, R<sub>G</sub>=25Ω, I<sub>AR</sub>=1A

3. Repetitive rating; Pulse width limited by maximum channel temperature

■ TEST CIRCUITS AND WAVEFORMS

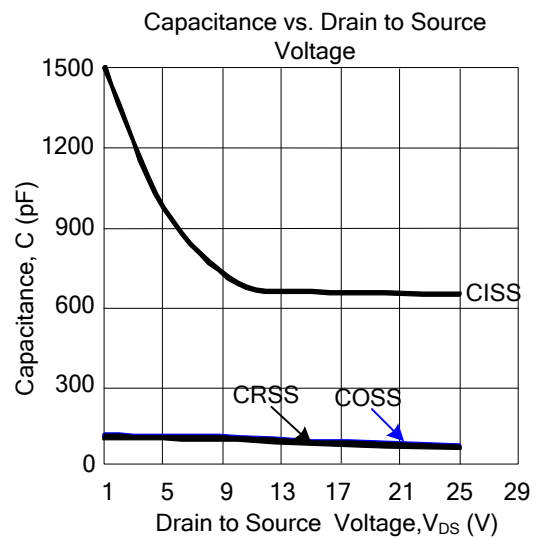
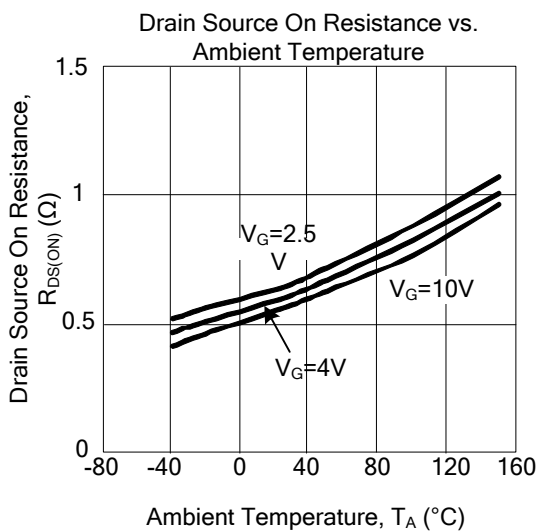
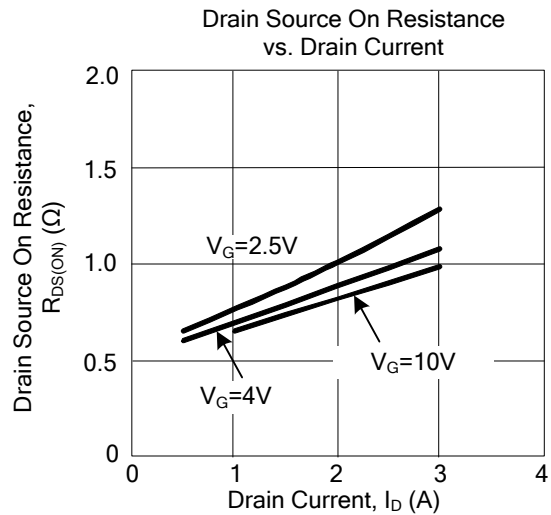
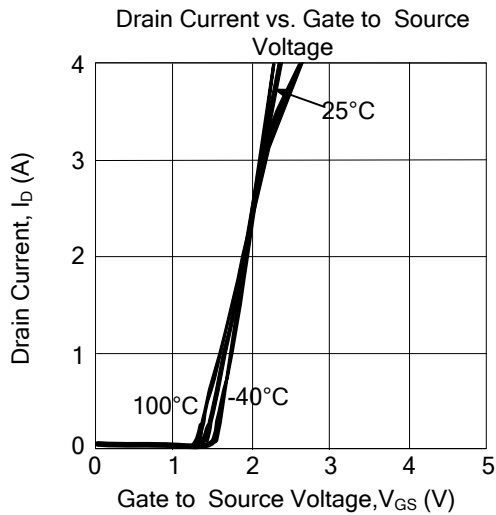
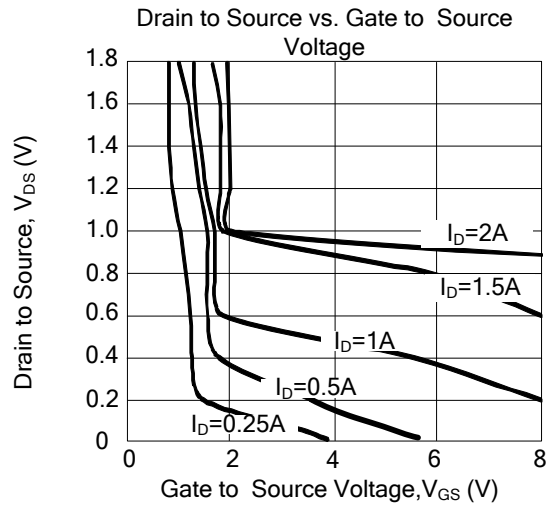
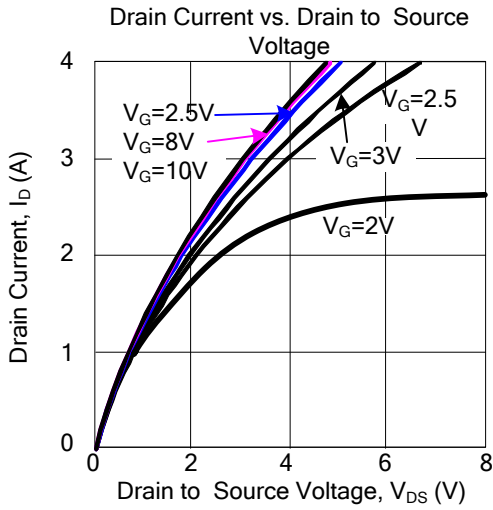


Unclamped Inductive Switching Test Circuit



Unclamped Inductive Switching Waveforms

## TYPICAL CHARACTERISTICS



UTC assumes no responsibility for equipment failures that result from using products at values that exceed, even momentarily, rated values (such as maximum ratings, operating condition ranges, or other parameters) listed in products specifications of any and all UTC products described or contained herein. UTC products are not designed for use in life support appliances, devices or systems where malfunction of these products can be reasonably expected to result in personal injury. Reproduction in whole or in part is prohibited without the prior written consent of the copyright owner. UTC reserves the right to make changes to information published in this document, including without limitation specifications and product descriptions, at any time and without notice. This document supersedes and replaces all information supplied prior to the publication hereof.

## X-ON Electronics

Largest Supplier of Electrical and Electronic Components

*Click to view similar products for [MOSFET](#) category:*

*Click to view products by [Unisonic](#) manufacturer:*

Other Similar products are found below :

[IRFD120](#) [IRFF430](#) [JANTX2N5237](#) [2SK2267\(Q\)](#) [BUK455-60A/B](#) [TK100A10N1,S4X\(S](#) [MIC4420CM-TR](#) [VN1206L](#) [NDP4060](#) [SI4482DY](#)  
[IRS2092STRPBF-EL](#) [IPS70R2K0CEAKMA1](#) [SQM120N06-3M5L-GE3](#) [TK31J60W5,S1VQ\(O](#) [TK31J60W,S1VQ\(O](#) [TK16J60W,S1VQ\(O](#)  
[2SK2614\(TE16L1,Q\)](#) [DMN1017UCP3-7](#) [EFC2J004NUZTDG](#) [P85W28HP2F-7071](#) [NTE2384](#) [DMC2700UDMQ-7](#) [DMN2080UCB4-7](#)  
[DMN61D9UWQ-13](#) [US6M2GTR](#) [DMN31D5UDJ-7](#) [DMP22D4UFO-7B](#) [IPS60R3K4CEAKMA1](#) [DMN1006UCA6-7](#) [DMN16M9UCA6-7](#)  
[STF5N65M6](#) [IRF40H233XTMA1](#) [STU5N65M6](#) [DMN6022SSD-13](#) [DMN13M9UCA6-7](#) [DMTH10H4M6SPS-13](#) [IPS60R360PFD7SAKMA1](#)  
[DMN2990UFB-7B](#) [SSM3K35CT,L3F](#) [IPLK60R1K0PFD7ATMA1](#) [2N7002W-G](#) [MCAC30N06Y-TP](#) [IPWS65R035CFD7AXKSA1](#)  
[MCQ7328-TP](#) [SSM3J143TU,LXHF](#) [DMN12M3UCA6-7](#) [PJMF280N65E1\\_T0\\_00201](#) [PJMF380N65E1\\_T0\\_00201](#)  
[PJMF280N60E1\\_T0\\_00201](#) [PJMF600N65E1\\_T0\\_00201](#)