

# U32D Series

**U32D SERIES**  
Engineering Bulletin Mar 07



- Large Can
- Screw Terminals
- High Ripple
- 6.3 to 400VDC Voltage Range
- Dimensions in Inches
- RoHS Compliant
- +105°C Maximum Temperature



The U32D series allows for extremely high ripple currents for applications such as inverter designs and motor controllers. This series of capacitors offers very large capacitance of up to 2.2F and a maximum temperature rating of +105°C which allows a high operating temperature without sacrificing life. These capacitors are available with a variety of high current English or Metric thread terminals. Mounting options available are a three-footed clamp or bottom stud. (A special order two-footed clamp is also available for selected diameters.) All case size dimensions are based on inches. Custom designs are available upon request.

## Summary of Specifications

- Screw terminals: high and low post, English and Metric thread.
- Capacitance range: 180 $\mu$ F to 2.2F.
- Voltage range: 6.3 to 400VDC.
- Category temperature range: -40°C to +105°C.
- Leakage current: 0.02CV( $\mu$ A) or 5mA, whichever is smaller, after 5 minutes at +25°C.
- Standard capacitance tolerance:  $\pm$ 20%
- Nominal case size (D  $\times$  L): D = 35mm (1.375") to 89mm (3.500"); L = 41mm (1.625") to 220mm (8.625").
- Rated lifetime: 2,000 hours at +105°C with rated ripple current applied.

U32D  
LARGE CAN 105°C

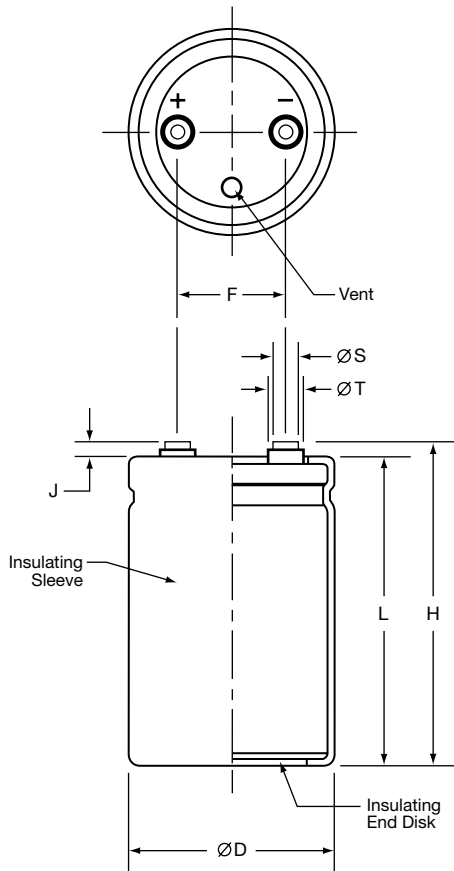
## U32D Specifications - Screw Terminals

| Item                             | Characteristics  |         |        |       |        |       |       |      |      |                  |               |      |       |       |      |       |       |           |           |      |      |      |      |      |      |          |     |      |      |      |      |      |      |           |      |      |      |      |      |      |      |     |      |      |      |      |      |      |     |      |      |      |      |      |      |           |      |      |      |      |      |      |            |     |      |      |      |      |      |      |           |      |      |      |      |      |      |     |      |      |      |      |      |      |            |           |      |      |      |      |      |      |
|----------------------------------|--|---------|--------|-------|--------|-------|-------|------|------|------------------|---------------|------|-------|-------|------|-------|-------|-----------|-----------|------|------|------|------|------|------|----------|-----|------|------|------|------|------|------|-----------|------|------|------|------|------|------|------|-----|------|------|------|------|------|------|-----|------|------|------|------|------|------|-----------|------|------|------|------|------|------|------------|-----|------|------|------|------|------|------|-----------|------|------|------|------|------|------|-----|------|------|------|------|------|------|------------|-----------|------|------|------|------|------|------|
| Category Temperature Range       | - 40 to +105°C   |         |        |       |        |       |       |      |      |                  |               |      |       |       |      |       |       |           |           |      |      |      |      |      |      |          |     |      |      |      |      |      |      |           |      |      |      |      |      |      |      |     |      |      |      |      |      |      |     |      |      |      |      |      |      |           |      |      |      |      |      |      |            |     |      |      |      |      |      |      |           |      |      |      |      |      |      |     |      |      |      |      |      |      |            |           |      |      |      |      |      |      |
| Rated Voltage Range              | 6.3 to 400VDC  |         |        |       |        |       |       |      |      |                  |               |      |       |       |      |       |       |           |           |      |      |      |      |      |      |          |     |      |      |      |      |      |      |           |      |      |      |      |      |      |      |     |      |      |      |      |      |      |     |      |      |      |      |      |      |           |      |      |      |      |      |      |            |     |      |      |      |      |      |      |           |      |      |      |      |      |      |     |      |      |      |      |      |      |            |           |      |      |      |      |      |      |
| Capacitance Range                | 180μF to 2.2F at +25°C, 120Hz  |         |        |       |        |       |       |      |      |                  |               |      |       |       |      |       |       |           |           |      |      |      |      |      |      |          |     |      |      |      |      |      |      |           |      |      |      |      |      |      |      |     |      |      |      |      |      |      |     |      |      |      |      |      |      |           |      |      |      |      |      |      |            |     |      |      |      |      |      |      |           |      |      |      |      |      |      |     |      |      |      |      |      |      |            |           |      |      |      |      |      |      |
| Capacitance Tolerance            | ± 20% (M) at +25°C, 120Hz  |         |        |       |        |       |       |      |      |                  |               |      |       |       |      |       |       |           |           |      |      |      |      |      |      |          |     |      |      |      |      |      |      |           |      |      |      |      |      |      |      |     |      |      |      |      |      |      |     |      |      |      |      |      |      |           |      |      |      |      |      |      |            |     |      |      |      |      |      |      |           |      |      |      |      |      |      |     |      |      |      |      |      |      |            |           |      |      |      |      |      |      |
| Leakage Current                  | I = 0.02CV (μA) or 5mA, whichever is smaller, after 5 minutes at +25°C.<br>Where I = Max. leakage current (μA), C = Nominal capacitance (μF) and V = Rated voltage (V)   |         |        |       |        |       |       |      |      |                  |               |      |       |       |      |       |       |           |           |      |      |      |      |      |      |          |     |      |      |      |      |      |      |           |      |      |      |      |      |      |      |     |      |      |      |      |      |      |     |      |      |      |      |      |      |           |      |      |      |      |      |      |            |     |      |      |      |      |      |      |           |      |      |      |      |      |      |     |      |      |      |      |      |      |            |           |      |      |      |      |      |      |
| Rated Ripple Current Multipliers | Ambient Temperature (°C) <table border="1" style="margin-left: 20px;"> <tr> <td>≤ +45°C</td> <td>+65°C</td> <td>+85°C</td> <td>+105°C</td> </tr> <tr> <td>1.41</td> <td>1.29</td> <td>1.00</td> <td>0.57</td> </tr> </table><br>Frequency (Hz) <table border="1" style="margin-left: 20px;"> <thead> <tr> <th>DC Rated Voltage</th> <th>Case Diameter</th> <th>50Hz</th> <th>120Hz</th> <th>300Hz</th> <th>1kHz</th> <th>10kHz</th> <th>50kHz</th> </tr> </thead> <tbody> <tr> <td>6.3 - 50V</td> <td>ø35 - ø76</td> <td>0.95</td> <td>1.00</td> <td>1.03</td> <td>1.05</td> <td>1.09</td> <td>1.12</td> </tr> <tr> <td rowspan="2">63 - 80V</td> <td>ø35</td> <td>0.90</td> <td>1.00</td> <td>1.06</td> <td>1.10</td> <td>1.18</td> <td>1.22</td> </tr> <tr> <td>ø51 - ø76</td> <td>0.95</td> <td>1.00</td> <td>1.03</td> <td>1.05</td> <td>1.09</td> <td>1.12</td> </tr> <tr> <td rowspan="3">100V</td> <td>ø35</td> <td>0.82</td> <td>1.00</td> <td>1.12</td> <td>1.22</td> <td>1.30</td> <td>1.33</td> </tr> <tr> <td>ø51</td> <td>0.90</td> <td>1.00</td> <td>1.06</td> <td>1.10</td> <td>1.18</td> <td>1.22</td> </tr> <tr> <td>ø63 - ø76</td> <td>0.95</td> <td>1.00</td> <td>1.03</td> <td>1.05</td> <td>1.09</td> <td>1.12</td> </tr> <tr> <td rowspan="3">160 - 250V</td> <td>ø35</td> <td>0.80</td> <td>1.00</td> <td>1.19</td> <td>1.34</td> <td>1.46</td> <td>1.52</td> </tr> <tr> <td>ø51 - ø63</td> <td>0.81</td> <td>1.00</td> <td>1.14</td> <td>1.26</td> <td>1.36</td> <td>1.41</td> </tr> <tr> <td>ø76</td> <td>0.82</td> <td>1.00</td> <td>1.12</td> <td>1.22</td> <td>1.30</td> <td>1.33</td> </tr> <tr> <td>315 - 400V</td> <td>ø35 - ø89</td> <td>0.80</td> <td>1.00</td> <td>1.19</td> <td>1.34</td> <td>1.46</td> <td>1.52</td> </tr> </tbody> </table> | ≤ +45°C | +65°C  | +85°C | +105°C | 1.41  | 1.29  | 1.00 | 0.57 | DC Rated Voltage | Case Diameter | 50Hz | 120Hz | 300Hz | 1kHz | 10kHz | 50kHz | 6.3 - 50V | ø35 - ø76 | 0.95 | 1.00 | 1.03 | 1.05 | 1.09 | 1.12 | 63 - 80V | ø35 | 0.90 | 1.00 | 1.06 | 1.10 | 1.18 | 1.22 | ø51 - ø76 | 0.95 | 1.00 | 1.03 | 1.05 | 1.09 | 1.12 | 100V | ø35 | 0.82 | 1.00 | 1.12 | 1.22 | 1.30 | 1.33 | ø51 | 0.90 | 1.00 | 1.06 | 1.10 | 1.18 | 1.22 | ø63 - ø76 | 0.95 | 1.00 | 1.03 | 1.05 | 1.09 | 1.12 | 160 - 250V | ø35 | 0.80 | 1.00 | 1.19 | 1.34 | 1.46 | 1.52 | ø51 - ø63 | 0.81 | 1.00 | 1.14 | 1.26 | 1.36 | 1.41 | ø76 | 0.82 | 1.00 | 1.12 | 1.22 | 1.30 | 1.33 | 315 - 400V | ø35 - ø89 | 0.80 | 1.00 | 1.19 | 1.34 | 1.46 | 1.52 |
| ≤ +45°C                          | +65°C  | +85°C   | +105°C |       |        |       |       |      |      |                  |               |      |       |       |      |       |       |           |           |      |      |      |      |      |      |          |     |      |      |      |      |      |      |           |      |      |      |      |      |      |      |     |      |      |      |      |      |      |     |      |      |      |      |      |      |           |      |      |      |      |      |      |            |     |      |      |      |      |      |      |           |      |      |      |      |      |      |     |      |      |      |      |      |      |            |           |      |      |      |      |      |      |
| 1.41                             | 1.29   | 1.00    | 0.57   |       |        |       |       |      |      |                  |               |      |       |       |      |       |       |           |           |      |      |      |      |      |      |          |     |      |      |      |      |      |      |           |      |      |      |      |      |      |      |     |      |      |      |      |      |      |     |      |      |      |      |      |      |           |      |      |      |      |      |      |            |     |      |      |      |      |      |      |           |      |      |      |      |      |      |     |      |      |      |      |      |      |            |           |      |      |      |      |      |      |
| DC Rated Voltage                 | Case Diameter  | 50Hz    | 120Hz  | 300Hz | 1kHz   | 10kHz | 50kHz |      |      |                  |               |      |       |       |      |       |       |           |           |      |      |      |      |      |      |          |     |      |      |      |      |      |      |           |      |      |      |      |      |      |      |     |      |      |      |      |      |      |     |      |      |      |      |      |      |           |      |      |      |      |      |      |            |     |      |      |      |      |      |      |           |      |      |      |      |      |      |     |      |      |      |      |      |      |            |           |      |      |      |      |      |      |
| 6.3 - 50V                        | ø35 - ø76  | 0.95    | 1.00   | 1.03  | 1.05   | 1.09  | 1.12  |      |      |                  |               |      |       |       |      |       |       |           |           |      |      |      |      |      |      |          |     |      |      |      |      |      |      |           |      |      |      |      |      |      |      |     |      |      |      |      |      |      |     |      |      |      |      |      |      |           |      |      |      |      |      |      |            |     |      |      |      |      |      |      |           |      |      |      |      |      |      |     |      |      |      |      |      |      |            |           |      |      |      |      |      |      |
| 63 - 80V                         | ø35  | 0.90    | 1.00   | 1.06  | 1.10   | 1.18  | 1.22  |      |      |                  |               |      |       |       |      |       |       |           |           |      |      |      |      |      |      |          |     |      |      |      |      |      |      |           |      |      |      |      |      |      |      |     |      |      |      |      |      |      |     |      |      |      |      |      |      |           |      |      |      |      |      |      |            |     |      |      |      |      |      |      |           |      |      |      |      |      |      |     |      |      |      |      |      |      |            |           |      |      |      |      |      |      |
|                                  | ø51 - ø76  | 0.95    | 1.00   | 1.03  | 1.05   | 1.09  | 1.12  |      |      |                  |               |      |       |       |      |       |       |           |           |      |      |      |      |      |      |          |     |      |      |      |      |      |      |           |      |      |      |      |      |      |      |     |      |      |      |      |      |      |     |      |      |      |      |      |      |           |      |      |      |      |      |      |            |     |      |      |      |      |      |      |           |      |      |      |      |      |      |     |      |      |      |      |      |      |            |           |      |      |      |      |      |      |
| 100V                             | ø35  | 0.82    | 1.00   | 1.12  | 1.22   | 1.30  | 1.33  |      |      |                  |               |      |       |       |      |       |       |           |           |      |      |      |      |      |      |          |     |      |      |      |      |      |      |           |      |      |      |      |      |      |      |     |      |      |      |      |      |      |     |      |      |      |      |      |      |           |      |      |      |      |      |      |            |     |      |      |      |      |      |      |           |      |      |      |      |      |      |     |      |      |      |      |      |      |            |           |      |      |      |      |      |      |
|                                  | ø51  | 0.90    | 1.00   | 1.06  | 1.10   | 1.18  | 1.22  |      |      |                  |               |      |       |       |      |       |       |           |           |      |      |      |      |      |      |          |     |      |      |      |      |      |      |           |      |      |      |      |      |      |      |     |      |      |      |      |      |      |     |      |      |      |      |      |      |           |      |      |      |      |      |      |            |     |      |      |      |      |      |      |           |      |      |      |      |      |      |     |      |      |      |      |      |      |            |           |      |      |      |      |      |      |
|                                  | ø63 - ø76  | 0.95    | 1.00   | 1.03  | 1.05   | 1.09  | 1.12  |      |      |                  |               |      |       |       |      |       |       |           |           |      |      |      |      |      |      |          |     |      |      |      |      |      |      |           |      |      |      |      |      |      |      |     |      |      |      |      |      |      |     |      |      |      |      |      |      |           |      |      |      |      |      |      |            |     |      |      |      |      |      |      |           |      |      |      |      |      |      |     |      |      |      |      |      |      |            |           |      |      |      |      |      |      |
| 160 - 250V                       | ø35  | 0.80    | 1.00   | 1.19  | 1.34   | 1.46  | 1.52  |      |      |                  |               |      |       |       |      |       |       |           |           |      |      |      |      |      |      |          |     |      |      |      |      |      |      |           |      |      |      |      |      |      |      |     |      |      |      |      |      |      |     |      |      |      |      |      |      |           |      |      |      |      |      |      |            |     |      |      |      |      |      |      |           |      |      |      |      |      |      |     |      |      |      |      |      |      |            |           |      |      |      |      |      |      |
|                                  | ø51 - ø63  | 0.81    | 1.00   | 1.14  | 1.26   | 1.36  | 1.41  |      |      |                  |               |      |       |       |      |       |       |           |           |      |      |      |      |      |      |          |     |      |      |      |      |      |      |           |      |      |      |      |      |      |      |     |      |      |      |      |      |      |     |      |      |      |      |      |      |           |      |      |      |      |      |      |            |     |      |      |      |      |      |      |           |      |      |      |      |      |      |     |      |      |      |      |      |      |            |           |      |      |      |      |      |      |
|                                  | ø76  | 0.82    | 1.00   | 1.12  | 1.22   | 1.30  | 1.33  |      |      |                  |               |      |       |       |      |       |       |           |           |      |      |      |      |      |      |          |     |      |      |      |      |      |      |           |      |      |      |      |      |      |      |     |      |      |      |      |      |      |     |      |      |      |      |      |      |           |      |      |      |      |      |      |            |     |      |      |      |      |      |      |           |      |      |      |      |      |      |     |      |      |      |      |      |      |            |           |      |      |      |      |      |      |
| 315 - 400V                       | ø35 - ø89  | 0.80    | 1.00   | 1.19  | 1.34   | 1.46  | 1.52  |      |      |                  |               |      |       |       |      |       |       |           |           |      |      |      |      |      |      |          |     |      |      |      |      |      |      |           |      |      |      |      |      |      |      |     |      |      |      |      |      |      |     |      |      |      |      |      |      |           |      |      |      |      |      |      |            |     |      |      |      |      |      |      |           |      |      |      |      |      |      |     |      |      |      |      |      |      |            |           |      |      |      |      |      |      |
| Endurance (Load Life)            | The following specifications shall be satisfied when the capacitors are restored to +25°C after subjecting them to DC voltage for 2,000 hours at +105°C with the rated ripple current applied. The sum of the DC voltage and peak AC voltage must not exceed the full rated voltage of the capacitors.<br><br>Capacitance change: ≤ 20% from initial measurement<br>ESR change : ≤ 200% of initial specified limit<br>Leakage current : ≤ initial specified limit  |         |        |       |        |       |       |      |      |                  |               |      |       |       |      |       |       |           |           |      |      |      |      |      |      |          |     |      |      |      |      |      |      |           |      |      |      |      |      |      |      |     |      |      |      |      |      |      |     |      |      |      |      |      |      |           |      |      |      |      |      |      |            |     |      |      |      |      |      |      |           |      |      |      |      |      |      |     |      |      |      |      |      |      |            |           |      |      |      |      |      |      |
| Shelf Test                       | The following specifications shall be satisfied when the capacitors are restored to +25°C after exposing them for 500 hours at +105°C without voltage applied. The rated voltage shall be applied to the capacitors for a minimum of 30 minutes, at least 24 hours and not more than 48 hours before the measurements.<br><br>Capacitance change: ≤ 20% from initial measurement<br>ESR change : ≤ 200% of initial specified limit<br>Leakage current : ≤ initial specified limit  |         |        |       |        |       |       |      |      |                  |               |      |       |       |      |       |       |           |           |      |      |      |      |      |      |          |     |      |      |      |      |      |      |           |      |      |      |      |      |      |      |     |      |      |      |      |      |      |     |      |      |      |      |      |      |           |      |      |      |      |      |      |            |     |      |      |      |      |      |      |           |      |      |      |      |      |      |     |      |      |      |      |      |      |            |           |      |      |      |      |      |      |

## Diagram of Dimensions - Screw Terminals

### Large Can/Screw Terminals

Unit: inches (mm)



### Case Dimensions

| Case Size Code  | ØD<br>+0.080 (2.0) | L<br>±0.040 (1.0)  | F<br>±0.010 (0.25) |
|---|--------------------|--|--------------------|
| A41<br>A54<br>A67<br>A79<br>A92<br>AA5<br>AB7<br>AD0<br>AE3 | 1.375 (35.0)       | 1.625 (41)<br>2.125 (54)<br>2.625 (67)<br>3.125 (79)<br>3.625 (92)<br>4.125 (105)<br>4.625 (117)<br>5.125 (130)<br>5.625 (143) | 0.500 (12.7)       |
| C48<br>C54<br>C67<br>C79<br>C92<br>CA5<br>CB7<br>CD0<br>CE3 | 2.000 (50.8)       | 1.875 (48)<br>2.125 (54)<br>2.625 (67)<br>3.125 (79)<br>3.625 (92)<br>4.125 (105)<br>4.625 (117)<br>5.125 (130)<br>5.625 (143) | 0.875 (22.2)       |
| D79<br>DA5<br>DB7<br>DD0<br>DE3                             | 2.500 (63.5)       | 3.125 (79)<br>4.125 (105)<br>4.625 (117)<br>5.125 (130)<br>5.625 (143)   | 1.125 (28.6)       |
| E92<br>EA5<br>EB7<br>ED0<br>EE3<br>EN0                      | 3.000 (76.2)       | 3.625 (92)<br>4.125 (105)<br>4.625 (117)<br>5.125 (130)<br>5.625 (143)<br>8.625 (220)  | 1.250 (31.8)       |
| FA5<br>FB7<br>FE3   | 3.500 (89.0)       | 4.125 (105)<br>4.625 (117)<br>5.625 (143)  | 1.250 (31.8)       |

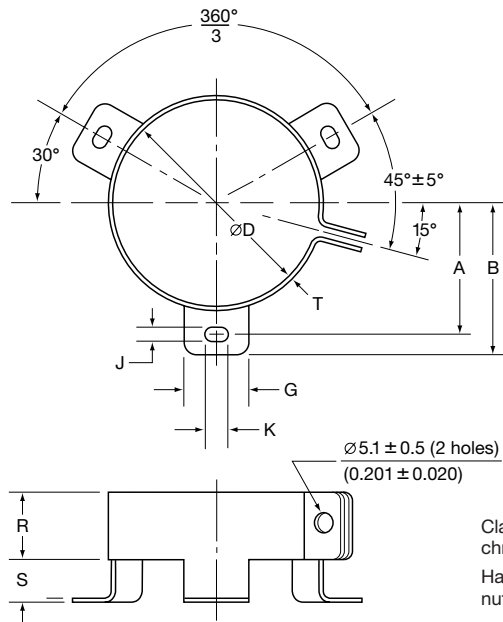
### Terminal Specifications

| Terminal Code | Available Case Diameter |                             | Thread Size    | Minimum Thread Depth | J<br>±0.020 (0.5) | H<br>±0.080 (2.0) | ØS<br>±0.010 (0.25) | ØT<br>±0.010 (0.25) |
|---------------|-------------------------|-----------------------------|----------------|----------------------|-------------------|-------------------|---------------------|---------------------|
|               | ØD Code                 | ØD inches (mm)              |                |                      |                   |                   |                     |                     |
| HP            | C-E                     | 1.375 - 3.000 (35.0 - 76.2) | 10 - 32 NF-2B  | 0.375 (9.5)          | 0.250 (6.4)       | L+J               | 0.313 (8.0)         | 0.438 (11.1)        |
| LP            | C-E                     | 1.375 - 3.000 (35.0 - 76.2) | 10 - 32 NF-2B  | 0.219 (5.6)          | 0.063 (1.6)       | L+J               | 0.313 (8.0)         | —                   |
| HL            | C-E                     | 1.375 - 3.000 (35.0 - 76.2) | M5x0.8-6H      | 0.375 (9.5)          | 0.250 (6.4)       | L+J               | 0.313 (8.0)         | 0.438 (11.1)        |
| ML            | C-E                     | 1.375 - 3.000 (35.0 - 76.2) | M5x0.8-6H      | 0.219 (5.6)          | 0.063 (1.6)       | L+J               | 0.313 (8.0)         | 0.438 (11.1)        |
| CD            | D-E                     | 2.500 - 3.000 (63.5 - 76.2) | M5x0.8-6H      | 0.335 (8.5)          | 0.200 (5.0)       | L+J               | 0.512 (13.0)        | 0.740 (18.8)        |
| CP            | D-F                     | 2.500 - 3.500 (63.5 - 89.0) | 1/4 - 28 NF-2B | 0.344 (8.7)          | 0.093 (2.4)       | L+J               | 0.689 (17.5)        | —                   |
| CH            | D-F                     | 2.500 - 3.500 (63.5 - 89.0) | 1/4 - 28 NF-2B | 0.468 (11.9)         | 0.250 (6.4)       | L+J               | 0.689 (17.5)        | —                   |
| CA            | D-F                     | 2.500 - 3.500 (63.5 - 89.0) | M6x1-6H        | 0.344 (8.7)          | 0.093 (2.4)       | L+J               | 0.689 (17.5)        | —                   |
| CS            | D-F                     | 2.500 - 3.500 (63.5 - 89.0) | M6x1-6H        | 0.468 (11.9)         | 0.250 (6.4)       | L+J               | 0.689 (17.5)        | —                   |

## Mounting Hardware - Screw Terminals

### Type C: Three-Footed Clamp

Unit: mm (inches)



Clamp: Zinc with silver trivalent chromate post treatment.

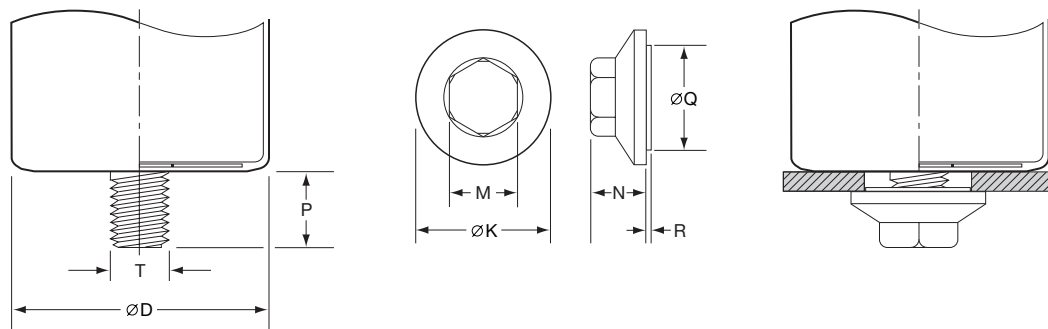
Hardware: Screw, washer and hexagon nut included with each clamp.

### Type C: Clamp Dimensions

| Mounting Code | Case ØD      | A<br>±1.0 (0.040) | B<br>±1.0 (0.040) | G<br>±1.0 (0.040) | J<br>±0.5 (0.020) | K<br>±0.5 (0.020) | R<br>±1.0 (0.040) | S<br>±1.0 (0.040) | T<br>±0.5 (0.020) |
|---------------|--------------|-------------------|-------------------|-------------------|-------------------|-------------------|-------------------|-------------------|-------------------|
| See Note      | 35.0 (1.375) | —                 | —                 | —                 | —                 | —                 | —                 | —                 | —                 |
| C             | 50.8 (2.000) | 31.8 (1.250)      | 36.5 (1.437)      | 13.3 (0.524)      | 4.5 (0.177)       | 7.1 (0.280)       | 19.1 (0.751)      | 9.5 (0.374)       | 0.8 (0.032)       |
| C             | 63.5 (2.500) | 38.1 (1.500)      | 42.9 (1.689)      | 13.3 (0.524)      | 4.5 (0.177)       | 7.1 (0.280)       | 19.1 (0.751)      | 9.5 (0.374)       | 0.8 (0.032)       |
| C             | 76.2 (3.000) | 44.5 (1.750)      | 49.2 (1.937)      | 13.3 (0.524)      | 4.5 (0.177)       | 7.1 (0.280)       | 19.1 (0.751)      | 9.5 (0.374)       | 1.0 (0.040)       |
| C             | 89.0 (3.500) | 50.8 (2.000)      | 56.5 (2.224)      | 16.0 (0.630)      | 4.5 (0.177)       | 8.0 (0.313)       | 21.0 (0.827)      | 9.0 (0.354)       | 1.0 (0.040)       |

Note: Type B two-footed clamp available upon request for Ø35, Ø50.8, Ø63.5 and Ø76.2. Consult UCC for specifications.

### Type S: Stud Mounting

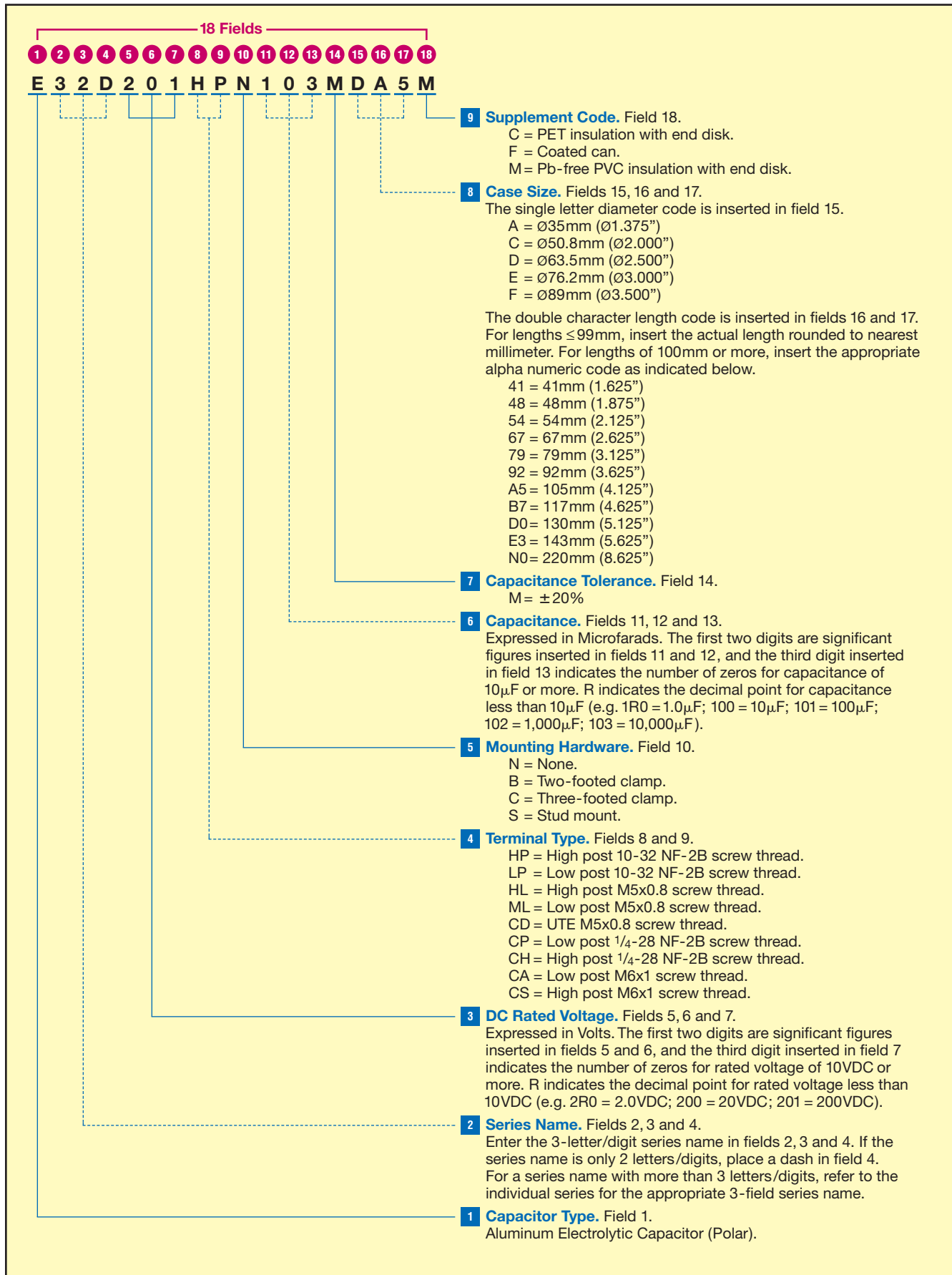


### Type S: Stud Mounting Dimensions

| Mounting Code | P<br>±1.0 (0.040) | T<br>Thread Size | M<br>±1.0 (0.040) | N<br>±1.0 (0.040) | ØK<br>±2.0 (0.080) | ØQ<br>±1.0 (0.040) | R<br>±1.0 (0.040) |
|---------------|-------------------|------------------|-------------------|-------------------|--------------------|--------------------|-------------------|
| S             | 16.0 (0.630)      | M12              | 19.0 (0.748)      | 18.0 (0.709)      | 30.0 (1.181)       | 22.0 (0.866)       | 1.40 (0.055)      |

## Part Numbering System for U32D Series

When ordering, always specify complete 18-field global part number.



## Standard Voltage Ratings - Screw Terminals

| Rated Voltage (WVDC)              | Capacitance (µF)   | Global Part Number† | Nominal Case Size* D × L (inches) | Case Size Code | Maximum ESR (mΩ) at +25°C, 120Hz | Rated Ripple Current (A rms) at +85°C, 120Hz |
|-----------------------------------|--------------------|---------------------|-----------------------------------|----------------|----------------------------------|--|
| <b>6.3 Volts</b><br>8 Volts Surge | 39,000             | E32D6R3HPN393MA41M  | 1.375 × 1.625                     | A41            | 39.9                             | 7.03   |
|                                   | 68,000             | E32D6R3HPN683MA54M  | 1.375 × 2.125                     | A54            | 24.0                             | 9.62   |
|                                   | 82,000             | E32D6R3HPN823MA67M  | 1.375 × 2.625                     | A67            | 19.5                             | 10.87  |
|                                   | 120,000            | E32D6R3HPN124MA79M  | 1.375 × 3.125                     | A79            | 14.5                             | 13.76  |
|                                   | 150,000            | E32D6R3HPN154MA92M  | 1.375 × 3.625                     | A92            | 12.2                             | 15.53  |
|                                   | 180,000            | E32D6R3HPN184MAA5M  | 1.375 × 4.125                     | AA5            | 11.8                             | 18.10  |
|                                   | 220,000            | E32D6R3HPN224MAD0M  | 1.375 × 5.125                     | AD0            | 9.1                              | 20.93  |
|                                   | 82,000             | E32D6R3HPN823MC48M  | 2.000 × 1.875                     | C48            | 22.1                             | 11.19  |
|                                   | 120,000            | E32D6R3HPN124MC54M  | 2.000 × 2.125                     | C54            | 16.2                             | 13.53  |
|                                   | 180,000            | E32D6R3HPN184MC67M  | 2.000 × 2.625                     | C67            | 11.3                             | 17.11  |
|                                   | 220,000            | E32D6R3HPN224MC79M  | 2.000 × 3.125                     | C79            | 9.2                              | 20.41  |
|                                   | 330,000            | E32D6R3HPN334MC92M  | 2.000 × 3.625                     | C92            | 7.7                              | 24.76  |
|                                   | 390,000            | E32D6R3HPN394MCA5M  | 2.000 × 4.125                     | CA5            | 6.4                              | 27.19  |
|                                   | 470,000            | E32D6R3HPN474MCB7M  | 2.000 × 4.625                     | CB7            | 6.0                              | 30.87  |
|                                   | 560,000            | E32D6R3HPN564MCE3M  | 2.000 × 5.625                     | CE3            | 4.9                              | 35.78  |
|                                   | 390,000            | E32D6R3HPN394MD79M  | 2.500 × 3.125                     | D79            | 8.7                              | 22.54  |
|                                   | 560,000            | E32D6R3HPN564MDA5M  | 2.500 × 4.125                     | DA5            | 6.3                              | 29.81  |
|                                   | 820,000            | E32D6R3HPN824MDB7M  | 2.500 × 4.625                     | DB7            | 5.7                              | 32.97  |
|                                   | 680,000            | E32D6R3HPN684ME92M  | 3.000 × 3.625                     | E92            | 8.3                              | 26.88  |
|                                   | 820,000            | E32D6R3HPN824MEA5M  | 3.000 × 4.125                     | EA5            | 7.2                              | 30.40  |
| 1,000,000                         | E32D6R3HPN105MEB7M | 3.000 × 4.625       | EB7                               | 6.6            | 33.32                            |  |
| 1,200,000                         | E32D6R3HPN125MED0M | 3.000 × 5.125       | ED0                               | 6.1            | 36.04                            |  |
| 2,200,000                         | E32D6R3HPN225MEN0M | 3.000 × 8.625       | EN0                               | 4.0            | 56.03                            |  |
| <b>10 Volts</b><br>13 Volts Surge | 33,000             | E32D100HPN333MA41M  | 1.375 × 1.625                     | A41            | 39.7                             | 7.03   |
|                                   | 56,000             | E32D100HPN563MA54M  | 1.375 × 2.125                     | A54            | 24.3                             | 9.55   |
|                                   | 68,000             | E32D100HPN683MA67M  | 1.375 × 2.625                     | A67            | 19.6                             | 10.79  |
|                                   | 100,000            | E32D100HPN104MA79M  | 1.375 × 3.125                     | A79            | 14.6                             | 13.71  |
|                                   | 120,000            | E32D100HPN124MA92M  | 1.375 × 3.625                     | A92            | 12.5                             | 14.66  |
|                                   | 150,000            | E32D100HPN154MAB7M  | 1.375 × 4.625                     | AB7            | 10.4                             | 18.83  |
|                                   | 180,000            | E32D100HPN184MAD0M  | 1.375 × 5.125                     | AD0            | 9.2                              | 20.80  |
|                                   | 68,000             | E32D100HPN683MC48M  | 2.000 × 1.875                     | C48            | 22.2                             | 11.13  |
|                                   | 100,000            | E32D100HPN104MC54M  | 2.000 × 2.125                     | C54            | 16.3                             | 13.48  |
|                                   | 150,000            | E32D100HPN154MC67M  | 2.000 × 2.625                     | C67            | 11.4                             | 17.11  |
|                                   | 180,000            | E32D100HPN184MC79M  | 2.000 × 3.125                     | C79            | 9.3                              | 20.28  |
|                                   | 270,000            | E32D100HPN274MC92M  | 2.000 × 3.625                     | C92            | 7.8                              | 24.76  |
|                                   | 390,000            | E32D100HPN394MCB7M  | 2.000 × 4.625                     | CB7            | 6.0                              | 30.55  |
|                                   | 470,000            | E32D100HPN474MCE3M  | 2.000 × 5.625                     | CE3            | 4.9                              | 35.78  |
|                                   | 330,000            | E32D100HPN334MD79M  | 2.500 × 3.125                     | D79            | 8.8                              | 22.40  |
|                                   | 470,000            | E32D100HPN474MDA5M  | 2.500 × 4.125                     | DA5            | 6.4                              | 29.81  |
|                                   | 560,000            | E32D100HPN564MDB7M  | 2.500 × 4.625                     | DB7            | 5.7                              | 33.95  |
|                                   | 680,000            | E32D100HPN684MDD0M  | 2.500 × 5.125                     | DD0            | 5.3                              | 36.68  |
|                                   | 560,000            | E32D100HPN564ME92M  | 3.000 × 3.625                     | E92            | 8.3                              | 26.88  |
|                                   | 680,000            | E32D100HPN684MEA5M  | 3.000 × 4.125                     | EA5            | 7.2                              | 30.40  |
| 820,000                           | E32D100HPN824MEB7M | 3.000 × 4.625       | EB7                               | 6.5            | 33.32                            |  |
| 1,000,000                         | E32D100HPN105MED0M | 3.000 × 5.125       | ED0                               | 6.1            | 36.04                            |  |
| 1,800,000                         | E32D100HPN185MEN0M | 3.000 × 8.625       | EN0                               | 4.0            | 56.03                            |  |
| <b>16 Volts</b><br>20 Volts Surge | 22,000             | E32D160HPN223MA41M  | 1.375 × 1.625                     | A41            | 41.4                             | 6.26   |
|                                   | 39,000             | E32D160HPN393MA54M  | 1.375 × 2.125                     | A54            | 27.3                             | 8.68   |
|                                   | 47,000             | E32D160HPN473MA67M  | 1.375 × 2.625                     | A67            | 19.9                             | 9.80   |
|                                   | 68,000             | E32D160HPN683MA79M  | 1.375 × 3.125                     | A79            | 15.0                             | 12.48  |
|                                   | 82,000             | E32D160HPN823MA92M  | 1.375 × 3.625                     | A92            | 12.8                             | 14.04  |
|                                   | 100,000            | E32D160HPN104MAA5M  | 1.375 × 4.125                     | AA5            | 11.1                             | 16.47  |
|                                   | 120,000            | E32D160HPN124MAD0M  | 1.375 × 5.125                     | AD0            | 9.5                              | 19.11  |
|                                   | 150,000            | E32D160HPN154MAE3M  | 1.375 × 5.625                     | AE3            | 9.3                              | 21.33  |
|                                   | 47,000             | E32D160HPN473MC48M  | 2.000 × 1.875                     | C48            | 22.7                             | 10.18  |
|                                   | 68,000             | E32D160HPN683MC54M  | 2.000 × 2.125                     | C54            | 16.7                             | 12.38  |
|                                   | 100,000            | E32D160HPN104MC67M  | 2.000 × 2.625                     | C67            | 11.7                             | 15.75  |
|                                   | 120,000            | E32D160HPN124MC79M  | 2.000 × 3.125                     | C79            | 9.6                              | 18.66  |

† For terminal, mounting and construction options, refer to the part numbering system for descriptions and codes.

\* Refer to diagram of dimensions for detailed case size specifications.

## Standard Voltage Ratings - Screw Terminals

| Rated Voltage (WVDC)       | Capacitance (µF)   | Global Part Number† | Nominal Case Size* D × L (inches) | Case Size Code | Maximum ESR (mΩ) at +25°C, 120Hz | Rated Ripple Current (A rms) at +85°C, 120Hz |
|----------------------------|--------------------|---------------------|-----------------------------------|----------------|----------------------------------|--|
| 16 Volts<br>20 Volts Surge | 180,000            | E32D160HPN184MC92M  | 2.000 × 3.625                     | C92            | 7.5                              | 22.89  |
|                            | 220,000            | E32D160HPN224MCA5M  | 2.000 × 4.125                     | CA5            | 7.0                              | 25.40  |
|                            | 270,000            | E32D160HPN274MCB7M  | 2.000 × 4.625                     | CB7            | 6.1                              | 28.80  |
|                            | 330,000            | E32D160HPN334MCE3M  | 2.000 × 5.625                     | CE3            | 5.2                              | 33.82  |
|                            | 220,000            | E32D160HPN224MD79M  | 2.500 × 3.125                     | D79            | 8.9                              | 21.75  |
|                            | 330,000            | E32D160HPN334MDA5M  | 2.500 × 4.125                     | DA5            | 6.5                              | 28.62  |
|                            | 390,000            | E32D160HPN394MDB7M  | 2.500 × 4.625                     | DB7            | 5.9                              | 32.66  |
|                            | 470,000            | E32D160HPN474MDD0M  | 2.500 × 5.125                     | DD0            | 5.4                              | 34.54  |
|                            | 390,000            | E32D160HPN394ME92M  | 3.000 × 3.625                     | E92            | 8.5                              | 26.07  |
|                            | 470,000            | E32D160HPN474MEA5M  | 3.000 × 4.125                     | EA5            | 7.4                              | 29.56  |
|                            | 560,000            | E32D160HPN564MEB7M  | 3.000 × 4.625                     | EB7            | 6.7                              | 32.56  |
|                            | 680,000            | E32D160HPN684MED0M  | 3.000 × 5.125                     | ED0            | 6.2                              | 35.45  |
|                            | 820,000            | E32D160HPN824MEE3M  | 3.000 × 5.625                     | EE3            | 5.4                              | 37.58  |
| 1,200,000                  | E32D160HPN125MEN0M | 3.000 × 8.625       | EN0                               | 4.0            | 55.32                            |  |
| 25 Volts<br>32 Volts Surge | 15,000             | E32D250HPN153MA41M  | 1.375 × 1.625                     | A41            | 41.3                             | 6.27   |
|                            | 22,000             | E32D250HPN223MA54M  | 1.375 × 2.125                     | A54            | 27.7                             | 8.20   |
|                            | 33,000             | E32D250HPN333MA67M  | 1.375 × 2.625                     | A67            | 19.5                             | 9.88   |
|                            | 47,000             | E32D250HPN473MA79M  | 1.375 × 3.125                     | A79            | 16.6                             | 12.53  |
|                            | 56,000             | E32D250HPN563MA92M  | 1.375 × 3.625                     | A92            | 12.8                             | 13.71  |
|                            | 68,000             | E32D250HPN683MAA5M  | 1.375 × 4.125                     | AA5            | 12.3                             | 16.47  |
|                            | 82,000             | E32D250HPN823MAD0M  | 1.375 × 5.125                     | AD0            | 9.4                              | 19.11  |
|                            | 33,000             | E32D250HPN333MC48M  | 2.000 × 1.875                     | C48            | 22.4                             | 10.23  |
|                            | 47,000             | E32D250HPN473MC54M  | 2.000 × 2.125                     | C54            | 16.6                             | 12.42  |
|                            | 68,000             | E32D250HPN683MC67M  | 2.000 × 2.625                     | C67            | 11.7                             | 15.68  |
|                            | 82,000             | E32D250HPN823MC79M  | 2.000 × 3.125                     | C79            | 9.6                              | 18.76  |
|                            | 120,000            | E32D250HPN124MC92M  | 2.000 × 3.625                     | C92            | 7.6                              | 22.73  |
|                            | 180,000            | E32D250HPN184MCB7M  | 2.000 × 4.625                     | CB7            | 6.1                              | 28.80  |
|                            | 220,000            | E32D250HPN224MCE3M  | 2.000 × 5.625                     | CE3            | 5.3                              | 33.82  |
|                            | 150,000            | E32D250HPN154MD79M  | 2.500 × 3.125                     | D79            | 8.9                              | 21.63  |
|                            | 220,000            | E32D250HPN224MDA5M  | 2.500 × 4.125                     | DA5            | 6.5                              | 28.62  |
|                            | 270,000            | E32D250HPN274MDB7M  | 2.500 × 4.625                     | DB7            | 5.9                              | 32.66  |
|                            | 330,000            | E32D250HPN334MDE3M  | 2.500 × 5.625                     | DE3            | 4.9                              | 37.88  |
|                            | 270,000            | E32D250HPN274ME92M  | 3.000 × 3.625                     | E92            | 8.6                              | 25.92  |
|                            | 330,000            | E32D250HPN334MEA5M  | 3.000 × 4.125                     | EA5            | 7.5                              | 29.16  |
| 390,000                    | E32D250HPN394MEB7M | 3.000 × 4.625       | EB7                               | 6.8            | 32.31                            |  |
| 470,000                    | E32D250HPN474MED0M | 3.000 × 5.125       | ED0                               | 6.3            | 35.16                            |  |
| 820,000                    | E32D250HPN824MEN0M | 3.000 × 8.625       | EN0                               | 4.1            | 55.32                            |  |
| 35 Volts<br>44 Volts Surge | 10,000             | E32D350HPN103MA41M  | 1.375 × 1.625                     | A41            | 45.8                             | 5.94   |
|                            | 18,000             | E32D350HPN183MA54M  | 1.375 × 2.125                     | A54            | 26.7                             | 8.33   |
|                            | 22,000             | E32D350HPN223MA67M  | 1.375 × 2.625                     | A67            | 21.6                             | 9.40   |
|                            | 33,000             | E32D350HPN333MA79M  | 1.375 × 3.125                     | A79            | 15.7                             | 12.14  |
|                            | 39,000             | E32D350HPN393MA92M  | 1.375 × 3.625                     | A92            | 13.6                             | 13.60  |
|                            | 47,000             | E32D350HPN473MAA5M  | 1.375 × 4.125                     | AA5            | 11.8                             | 15.95  |
|                            | 56,000             | E32D350HPN563MAB7M  | 1.375 × 4.625                     | AB7            | 10.4                             | 17.35  |
|                            | 68,000             | E32D350HPN683MAE3M  | 1.375 × 5.625                     | AE3            | 8.9                              | 20.57  |
|                            | 22,000             | E32D350HPN223MC48M  | 2.000 × 1.875                     | C48            | 24.1                             | 9.86   |
|                            | 33,000             | E32D350HPN333MC54M  | 2.000 × 2.125                     | C54            | 17.4                             | 12.15  |
|                            | 47,000             | E32D350HPN473MC67M  | 2.000 × 2.625                     | C67            | 12.4                             | 15.34  |
|                            | 68,000             | E32D350HPN683MC79M  | 2.000 × 3.125                     | C79            | 9.4                              | 18.76  |
|                            | 82,000             | E32D350HPN823MC92M  | 2.000 × 3.625                     | C92            | 7.9                              | 22.26  |
|                            | 100,000            | E32D350HPN104MCA5M  | 2.000 × 4.125                     | CA5            | 6.9                              | 24.82  |
|                            | 120,000            | E32D350HPN124MCB7M  | 2.000 × 4.625                     | CB7            | 6.1                              | 28.03  |
|                            | 150,000            | E32D350HPN154MCE3M  | 2.000 × 5.625                     | CE3            | 5.2                              | 33.12  |
|                            | 100,000            | E32D350HPN104MD79M  | 2.500 × 3.125                     | D79            | 8.8                              | 21.88  |
|                            | 150,000            | E32D350HPN154MDA5M  | 2.500 × 4.125                     | DA5            | 6.5                              | 28.84  |
|                            | 220,000            | E32D350HPN224MDB7M  | 2.500 × 4.625                     | DB7            | 5.8                              | 32.08  |

†For terminal, mounting and construction options, refer to the part numbering system for descriptions and codes.

\*Refer to diagram of dimensions for detailed case size specifications.

## Standard Voltage Ratings - Screw Terminals

| Rated Voltage (WVDC)              | Capacitance (µF)   | Global Part Number† | Nominal Case Size* D × L (inches) | Case Size Code | Maximum ESR (mΩ) at +25°C, 120Hz | Rated Ripple Current (A rms) at +85°C, 120Hz |
|-----------------------------------|--------------------|---------------------|-----------------------------------|----------------|----------------------------------|--|
| <b>35 Volts</b><br>44 Volts Surge | 220,000            | E32D350HPN224ME92M  | 3.000 × 3.625                     | E92            | 8.3                              | 25.19  |
|                                   | 270,000            | E32D350HPN274MEB7M  | 3.000 × 4.625                     | EB7            | 6.6                              | 32.81  |
|                                   | 330,000            | E32D350HPN334MED0M  | 3.000 × 5.125                     | ED0            | 6.2                              | 35.45  |
|                                   | 390,000            | E32D350HPN394MEE3M  | 3.000 × 5.625                     | EE3            | 5.4                              | 37.90  |
|                                   | 560,000            | E32D350HPN564MEN0M  | 3.000 × 8.625                     | EN0            | 4.0                              | 56.03  |
| <b>50 Volts</b><br>63 Volts Surge | 5,600              | E32D500HPN562MA41M  | 1.375 × 1.625                     | A41            | 52.2                             | 5.66   |
|                                   | 10,000             | E32D500HPN103MA54M  | 1.375 × 2.125                     | A54            | 30.3                             | 7.25   |
|                                   | 15,000             | E32D500HPN153MA67M  | 1.375 × 2.625                     | A67            | 21.3                             | 9.01   |
|                                   | 18,000             | E32D500HPN183MA79M  | 1.375 × 3.125                     | A79            | 17.9                             | 10.92  |
|                                   | 22,000             | E32D500HPN223MA92M  | 1.375 × 3.625                     | A92            | 15.1                             | 12.58  |
|                                   | 27,000             | E32D500HPN273MAA5M  | 1.375 × 4.125                     | AA5            | 12.9                             | 15.23  |
|                                   | 33,000             | E32D500HPN333MAB7M  | 1.375 × 4.625                     | AB7            | 12.5                             | 17.22  |
|                                   | 39,000             | E32D500HPN393MAE3M  | 1.375 × 5.625                     | AE3            | 9.7                              | 20.56  |
|                                   | 15,000             | E32D500HPN153MC48M  | 2.000 × 1.875                     | C48            | 24.3                             | 10.01  |
|                                   | 18,000             | E32D500HPN183MC54M  | 2.000 × 2.125                     | C54            | 19.4                             | 11.50  |
|                                   | 27,000             | E32D500HPN273MC67M  | 2.000 × 2.625                     | C67            | 13.4                             | 14.97  |
|                                   | 39,000             | E32D500HPN393MC79M  | 2.000 × 3.125                     | C79            | 10.1                             | 19.30  |
|                                   | 56,000             | E32D500HPN563MC92M  | 2.000 × 3.625                     | C92            | 8.5                              | 22.56  |
|                                   | 68,000             | E32D500HPN683MCB7M  | 2.000 × 4.625                     | CB7            | 6.5                              | 27.67  |
|                                   | 82,000             | E32D500HPN823MCD0M  | 2.000 × 5.125                     | CD0            | 5.8                              | 29.50  |
|                                   | 100,000            | E32D500HPN104MCE3M  | 2.000 × 5.625                     | CE3            | 5.6                              | 34.03  |
|                                   | 68,000             | E32D500HPN683MD79M  | 2.500 × 3.125                     | D79            | 9.4                              | 24.55  |
|                                   | 100,000            | E32D500HPN104MDA5M  | 2.500 × 4.125                     | DA5            | 6.8                              | 31.43  |
|                                   | 120,000            | E32D500HPN124MDB7M  | 2.500 × 4.625                     | DB7            | 5.9                              | 34.04  |
|                                   | 150,000            | E32D500HPN154MDE3M  | 2.500 × 5.625                     | DE3            | 5.1                              | 37.63  |
| 120,000                           | E32D500HPN124ME92M | 3.000 × 3.625       | E92                               | 8.9            | 33.88                            |  |
| 150,000                           | E32D500HPN154MEA5M | 3.000 × 4.125       | EA5                               | 7.8            | 36.22                            |  |
| 180,000                           | E32D500HPN184MEB7M | 3.000 × 4.625       | EB7                               | 6.5            | 38.22                            |  |
| 220,000                           | E32D500HPN224MEE3M | 3.000 × 5.625       | EE3                               | 5.7            | 44.44                            |  |
| 330,000                           | E32D500HPN334MEN0M | 3.000 × 8.625       | EN0                               | 4.0            | 65.97                            |  |
| <b>63 Volts</b><br>79 Volts Surge | 4,700              | E32D630HPN472MA41M  | 1.375 × 1.625                     | A41            | 57.1                             | 5.18   |
|                                   | 6,800              | E32D630HPN682MA54M  | 1.375 × 2.125                     | A54            | 33.8                             | 6.68   |
|                                   | 10,000             | E32D630HPN103MA67M  | 1.375 × 2.625                     | A67            | 23.9                             | 7.36   |
|                                   | 12,000             | E32D630HPN123MA79M  | 1.375 × 3.125                     | A79            | 20.1                             | 8.92   |
|                                   | 15,000             | E32D630HPN153MA92M  | 1.375 × 3.625                     | A92            | 16.6                             | 10.39  |
|                                   | 18,000             | E32D630HPN183MAA5M  | 1.375 × 4.125                     | AA5            | 14.3                             | 12.44  |
|                                   | 22,000             | E32D630HPN223MAB7M  | 1.375 × 4.625                     | AB7            | 12.3                             | 14.06  |
|                                   | 27,000             | E32D630HPN273MAD0M  | 1.375 × 5.125                     | AD0            | 12.1                             | 16.36  |
|                                   | 10,000             | E32D630HPN103MC48M  | 2.000 × 1.875                     | C48            | 26.7                             | 8.18   |
|                                   | 12,000             | E32D630HPN123MC54M  | 2.000 × 2.125                     | C54            | 21.5                             | 9.39   |
|                                   | 22,000             | E32D630HPN223MC67M  | 2.000 × 2.625                     | C67            | 14.8                             | 13.52  |
|                                   | 27,000             | E32D630HPN273MC79M  | 2.000 × 3.125                     | C79            | 10.8                             | 16.06  |
|                                   | 39,000             | E32D630HPN393MC92M  | 2.000 × 3.625                     | C92            | 9.1                              | 20.62  |
|                                   | 47,000             | E32D630HPN473MCB7M  | 2.000 × 4.625                     | CB7            | 6.9                              | 23.00  |
|                                   | 56,000             | E32D630HPN563MCD0M  | 2.000 × 5.125                     | CD0            | 6.2                              | 26.34  |
|                                   | 68,000             | E32D630HPN683MCE3M  | 2.000 × 5.625                     | CE3            | 6.0                              | 30.31  |
|                                   | 47,000             | E32D630HPN473MD79M  | 2.500 × 3.125                     | D79            | 9.6                              | 22.05  |
|                                   | 68,000             | E32D630HPN683MDA5M  | 2.500 × 4.125                     | DA5            | 6.9                              | 29.84  |
|                                   | 82,000             | E32D630HPN823MDB7M  | 2.500 × 4.625                     | DB7            | 6.2                              | 29.93  |
|                                   | 100,000            | E32D630HPN104MDE3M  | 2.500 × 5.625                     | DE3            | 5.2                              | 32.23  |
| 82,000                            | E32D630HPN823ME92M | 3.000 × 3.625       | E92                               | 8.9            | 29.71                            |  |
| 100,000                           | E32D630HPN104MEA5M | 3.000 × 4.125       | EA5                               | 7.7            | 34.67                            |  |
| 120,000                           | E32D630HPN124MEB7M | 3.000 × 4.625       | EB7                               | 6.9            | 35.58                            |  |
| 150,000                           | E32D630HPN154MEE3M | 3.000 × 5.625       | EE3                               | 5.7            | 39.63                            |  |
| 220,000                           | E32D630HPN224MEN0M | 3.000 × 8.625       | EN0                               | 4.0            | 53.86                            |  |

† For terminal, mounting and construction options, refer to the part numbering system for descriptions and codes.

\* Refer to diagram of dimensions for detailed case size specifications.



## Standard Voltage Ratings - Screw Terminals

| Rated Voltage (WVDC)                 | Capacitance (µF)   | Global Part Number† | Nominal Case Size* D × L (inches) | Case Size Code | Maximum ESR (mΩ) at +25°C, 120Hz | Rated Ripple Current (A rms) at +85°C, 120Hz |
|--------------------------------------|--------------------|---------------------|-----------------------------------|----------------|----------------------------------|--|
| <b>80 Volts<br/>100 Volts Surge</b>  | 2,200              | E32D800HPN222MA41M  | 1.375 × 1.625                     | A41            | 67.0                             | 4.09   |
|                                      | 3,900              | E32D800HPN392MA54M  | 1.375 × 2.125                     | A54            | 44.2                             | 5.84   |
|                                      | 4,700              | E32D800HPN472MA67M  | 1.375 × 2.625                     | A67            | 31.7                             | 6.51   |
|                                      | 6,800              | E32D800HPN682MA79M  | 1.375 × 3.125                     | A79            | 23.0                             | 8.67   |
|                                      | 8,200              | E32D800HPN822MA92M  | 1.375 × 3.625                     | A92            | 19.5                             | 9.92   |
|                                      | 10,000             | E32D800HPN103MAA5M  | 1.375 × 4.125                     | AA5            | 19.0                             | 10.36  |
|                                      | 12,000             | E32D800HPN123MAD0M  | 1.375 × 5.125                     | AD0            | 14.0                             | 12.19  |
|                                      | 4,700              | E32D800HPN472MC48M  | 2.000 × 1.875                     | C48            | 34.3                             | 6.27   |
|                                      | 6,800              | E32D800HPN682MC54M  | 2.000 × 2.125                     | C54            | 24.6                             | 7.90   |
|                                      | 10,000             | E32D800HPN103MC67M  | 2.000 × 2.625                     | C67            | 17.0                             | 10.19  |
|                                      | 12,000             | E32D800HPN123MC79M  | 2.000 × 3.125                     | C79            | 14.0                             | 11.97  |
|                                      | 18,000             | E32D800HPN183MC92M  | 2.000 × 3.625                     | C92            | 10.4                             | 15.66  |
|                                      | 22,000             | E32D800HPN223MCA5M  | 2.000 × 4.125                     | CA5            | 9.9                              | 18.36  |
|                                      | 27,000             | E32D800HPN273MCB7M  | 2.000 × 4.625                     | CB7            | 8.5                              | 21.35  |
|                                      | 33,000             | E32D800HPN333MCE3M  | 2.000 × 5.625                     | CE3            | 7.2                              | 25.86  |
|                                      | 22,000             | E32D800HPN223MD79M  | 2.500 × 3.125                     | D79            | 10.6                             | 16.52  |
|                                      | 33,000             | E32D800HPN333MDA5M  | 2.500 × 4.125                     | DA5            | 7.6                              | 22.84  |
|                                      | 39,000             | E32D800HPN393MDB7M  | 2.500 × 4.625                     | DB7            | 6.8                              | 23.76  |
|                                      | 47,000             | E32D800HPN473MDD0M  | 2.500 × 5.125                     | DD0            | 6.1                              | 25.31  |
|                                      | 39,000             | E32D800HPN393ME92M  | 3.000 × 3.625                     | E92            | 8.9                              | 23.66  |
| 47,000                               | E32D800HPN473MEA5M | 3.000 × 4.125       | EA5                               | 7.7            | 27.45                            |  |
| 56,000                               | E32D800HPN563MEB7M | 3.000 × 4.625       | EB7                               | 6.9            | 31.38                            |  |
| 68,000                               | E32D800HPN683MED0M | 3.000 × 5.125       | ED0                               | 6.4            | 33.51                            |  |
| 120,000                              | E32D800HPN124MEN0M | 3.000 × 8.625       | EN0                               | 4.2            | 52.62                            |  |
| <b>100 Volts<br/>125 Volts Surge</b> | 1,500              | E32D101HPN152MA41M  | 1.375 × 1.625                     | A41            | 80.9                             | 4.14   |
|                                      | 2,700              | E32D101HPN272MA54M  | 1.375 × 2.125                     | A54            | 45.9                             | 5.95   |
|                                      | 3,900              | E32D101HPN392MA67M  | 1.375 × 2.625                     | A67            | 37.2                             | 7.26   |
|                                      | 4,700              | E32D101HPN472MA79M  | 1.375 × 3.125                     | A79            | 27.1                             | 8.82   |
|                                      | 5,600              | E32D101HPN562MA92M  | 1.375 × 3.625                     | A92            | 23.1                             | 10.04  |
|                                      | 6,800              | E32D101HPN682MAA5M  | 1.375 × 4.125                     | AA5            | 19.5                             | 11.03  |
|                                      | 8,200              | E32D101HPN822MAB7M  | 1.375 × 4.625                     | AB7            | 19.2                             | 11.80  |
|                                      | 10,000             | E32D101HPN103MAE3M  | 1.375 × 5.625                     | AE3            | 14.1                             | 13.44  |
|                                      | 3,900              | E32D101HPN392MC48M  | 2.000 × 1.875                     | C48            | 39.9                             | 6.59   |
|                                      | 4,700              | E32D101HPN472MC54M  | 2.000 × 2.125                     | C54            | 28.7                             | 7.59   |
|                                      | 6,800              | E32D101HPN682MC67M  | 2.000 × 2.625                     | C67            | 20.0                             | 9.70   |
|                                      | 10,000             | E32D101HPN103MC79M  | 2.000 × 3.125                     | C79            | 14.5                             | 12.62  |
|                                      | 12,000             | E32D101HPN123MC92M  | 2.000 × 3.625                     | C92            | 12.2                             | 14.77  |
|                                      | 15,000             | E32D101HPN153MCA5M  | 2.000 × 4.125                     | CA5            | 10.2                             | 17.51  |
|                                      | 18,000             | E32D101HPN183MCB7M  | 2.000 × 4.625                     | CB7            | 9.8                              | 20.13  |
|                                      | 22,000             | E32D101HPN223MCE3M  | 2.000 × 5.625                     | CE3            | 7.5                              | 24.38  |
|                                      | 15,000             | E32D101HPN153MD79M  | 2.500 × 3.125                     | D79            | 11.9                             | 15.26  |
|                                      | 22,000             | E32D101HPN223MDA5M  | 2.500 × 4.125                     | DA5            | 8.5                              | 20.85  |
|                                      | 27,000             | E32D101HPN273MDB7M  | 2.500 × 4.625                     | DB7            | 7.4                              | 24.22  |
|                                      | 33,000             | E32D101HPN333MDD0M  | 2.500 × 5.125                     | DD0            | 6.6                              | 28.05  |
| 39,000                               | E32D101HPN393MDE3M | 2.500 × 5.625       | DE3                               | 6.3            | 31.82                            |  |
| 27,000                               | E32D101HPN273ME92M | 3.000 × 3.625       | E92                               | 9.3            | 21.56                            |  |
| 33,000                               | E32D101HPN333MEA5M | 3.000 × 4.125       | EA5                               | 8.0            | 25.20                            |  |
| 39,000                               | E32D101HPN393MEB7M | 3.000 × 4.625       | EB7                               | 7.2            | 28.69                            |  |
| 47,000                               | E32D101HPN473MED0M | 3.000 × 5.125       | ED0                               | 6.6            | 30.09                            |  |
| 56,000                               | E32D101HPN563MEE3M | 3.000 × 5.625       | EE3                               | 6.1            | 34.25                            |  |
| 82,000                               | E32D101HPN823MEN0M | 3.000 × 8.625       | EN0                               | 4.3            | 50.23                            |  |
| <b>160 Volts<br/>200 Volts Surge</b> | 820                | E32D161HPN821MA41M  | 1.375 × 1.625                     | A41            | 184.8                            | 2.50   |
|                                      | 1,500              | E32D161HPN152MA54M  | 1.375 × 2.125                     | A54            | 101.2                            | 3.62   |
|                                      | 1,800              | E32D161HPN182MA67M  | 1.375 × 2.625                     | A67            | 83.3                             | 4.03   |
|                                      | 2,700              | E32D161HPN272MA79M  | 1.375 × 3.125                     | A79            | 56.8                             | 5.46   |
|                                      | 3,900              | E32D161HPN392MAA5M  | 1.375 × 4.125                     | AA5            | 40.0                             | 7.47   |
|                                      | 4,700              | E32D161HPN472MAD0M  | 1.375 × 5.125                     | AD0            | 33.4                             | 8.81   |
|                                      | 5,600              | E32D161HPN562MAE3M  | 1.375 × 5.625                     | AE3            | 28.6                             | 10.06  |

† For terminal, mounting and construction options, refer to the part numbering system for descriptions and codes.

\* Refer to diagram of dimensions for detailed case size specifications.

## Standard Voltage Ratings - Screw Terminals

| Rated Voltage (WVDC)         | Capacitance (µF)   | Global Part Number† | Nominal Case Size* D × L (inches) | Case Size Code | Maximum ESR (mΩ) at +25°C, 120Hz | Rated Ripple Current (A rms) at +85°C, 120Hz |
|------------------------------|--------------------|---------------------|-----------------------------------|----------------|----------------------------------|--|
| 160 Volts<br>200 Volts Surge | 2,200              | E32D161HPN222MC48M  | 2.000 × 1.875                     | C48            | 74.6                             | 4.29   |
|                              | 2,700              | E32D161HPN272MC54M  | 2.000 × 2.125                     | C54            | 59.6                             | 4.98   |
|                              | 3,900              | E32D161HPN392MC67M  | 2.000 × 2.625                     | C67            | 41.1                             | 6.36   |
|                              | 5,600              | E32D161HPN562MC79M  | 2.000 × 3.125                     | C79            | 29.4                             | 8.18   |
|                              | 6,800              | E32D161HPN682MC92M  | 2.000 × 3.625                     | C92            | 24.0                             | 9.63   |
|                              | 8,200              | E32D161HPN822MCA5M  | 2.000 × 4.125                     | CA5            | 20.5                             | 11.21  |
|                              | 10,000             | E32D161HPN103MCB7M  | 2.000 × 4.625                     | CB7            | 17.0                             | 12.99  |
|                              | 12,000             | E32D161HPN123MCE3M  | 2.000 × 5.625                     | CE3            | 14.3                             | 15.60  |
|                              | 8,200              | E32D161HPN822MD79M  | 2.500 × 3.125                     | D79            | 22.6                             | 11.28  |
|                              | 12,000             | E32D161HPN123MDA5M  | 2.500 × 4.125                     | DA5            | 15.8                             | 15.40  |
|                              | 18,000             | E32D161HPN183MDB7M  | 2.500 × 4.625                     | DB7            | 11.8                             | 19.77  |
|                              | 18,000             | E32D161HPN183ME92M  | 3.000 × 3.625                     | E92            | 14.7                             | 19.68  |
|                              | 22,000             | E32D161HPN223MEB7M  | 3.000 × 4.625                     | EB7            | 11.3                             | 24.09  |
|                              | 27,000             | E32D161HPN273MED0M  | 3.000 × 5.125                     | ED0            | 9.9                              | 27.93  |
| 47,000                       | E32D161HPN473MEN0M | 3.000 × 8.625       | EN0                               | 6.2            | 46.58                            |  |
| 200 Volts<br>250 Volts Surge | 680                | E32D201HPN681MA41M  | 1.375 × 1.625                     | A41            | 192.4                            | 2.28   |
|                              | 1,000              | E32D201HPN102MA54M  | 1.375 × 2.125                     | A54            | 128.5                            | 2.96   |
|                              | 1,500              | E32D201HPN152MA67M  | 1.375 × 2.625                     | A67            | 86.3                             | 3.68   |
|                              | 1,800              | E32D201HPN182MA79M  | 1.375 × 3.125                     | A79            | 71.8                             | 4.46   |
|                              | 2,200              | E32D201HPN222MA92M  | 1.375 × 3.625                     | A92            | 59.1                             | 5.14   |
|                              | 2,700              | E32D201HPN272MAA5M  | 1.375 × 4.125                     | AA5            | 48.7                             | 6.22   |
|                              | 3,300              | E32D201HPN332MAB7M  | 1.375 × 4.625                     | AB7            | 40.4                             | 7.03   |
|                              | 3,900              | E32D201HPN392MAD0M  | 1.375 × 5.125                     | AD0            | 34.7                             | 8.03   |
|                              | 1,500              | E32D201HPN152MC48M  | 2.000 × 1.875                     | C48            | 110.7                            | 4.09   |
|                              | 2,200              | E32D201HPN222MC54M  | 2.000 × 2.125                     | C54            | 63.1                             | 5.19   |
|                              | 3,300              | E32D201HPN332MC67M  | 2.000 × 2.625                     | C67            | 42.2                             | 6.76   |
|                              | 3,900              | E32D201HPN392MC79M  | 2.000 × 3.125                     | C79            | 35.2                             | 7.88   |
|                              | 5,600              | E32D201HPN562MC92M  | 2.000 × 3.625                     | C92            | 25.1                             | 10.09  |
|                              | 8,200              | E32D201HPN822MCB7M  | 2.000 × 4.625                     | CB7            | 17.8                             | 13.59  |
|                              | 10,000             | E32D201HPN103MCE3M  | 2.000 × 5.625                     | CE3            | 14.8                             | 16.44  |
|                              | 6,800              | E32D201HPN682MD79M  | 2.500 × 3.125                     | D79            | 23.6                             | 10.27  |
|                              | 10,000             | E32D201HPN103MDA5M  | 2.500 × 4.125                     | DA5            | 16.5                             | 14.06  |
|                              | 12,000             | E32D201HPN123MDB7M  | 2.500 × 4.625                     | DB7            | 13.8                             | 16.14  |
|                              | 15,000             | E32D201HPN153MDE3M  | 2.500 × 5.625                     | DE3            | 11.5                             | 19.74  |
|                              | 12,000             | E32D201HPN123ME92M  | 3.000 × 3.625                     | E92            | 16.4                             | 16.07  |
| 15,000                       | E32D201HPN153MEA5M | 3.000 × 4.125       | EA5                               | 13.7           | 18.99                            |  |
| 18,000                       | E32D201HPN183MEB7M | 3.000 × 4.625       | EB7                               | 11.9           | 21.79                            |  |
| 22,000                       | E32D201HPN223MEE3M | 3.000 × 5.625       | EE3                               | 9.8            | 26.29                            |  |
| 33,000                       | E32D201HPN333MEN0M | 3.000 × 8.625       | EN0                               | 6.8            | 39.03                            |  |
| 250 Volts<br>300 Volts Surge | 470                | E32D251HPN471MA41M  | 1.375 × 1.625                     | A41            | 273.0                            | 1.89   |
|                              | 820                | E32D251HPN821MA54M  | 1.375 × 2.125                     | A54            | 155.3                            | 2.68   |
|                              | 1,200              | E32D251HPN122MA67M  | 1.375 × 2.625                     | A67            | 106.5                            | 3.29   |
|                              | 1,500              | E32D251HPN152MA79M  | 1.375 × 3.125                     | A79            | 85.3                             | 3.53   |
|                              | 1,800              | E32D251HPN182MA92M  | 1.375 × 3.625                     | A92            | 71.3                             | 4.02   |
|                              | 2,200              | E32D251HPN222MAA5M  | 1.375 × 4.125                     | AA5            | 58.8                             | 4.86   |
|                              | 2,700              | E32D251HPN272MAB7M  | 1.375 × 4.625                     | AB7            | 48.5                             | 5.51   |
|                              | 3,300              | E32D251HPN332MAE3M  | 1.375 × 5.625                     | AE3            | 40.0                             | 6.69   |
|                              | 1,200              | E32D251HPN122MC48M  | 2.000 × 1.875                     | C48            | 112.1                            | 3.17   |
|                              | 1,500              | E32D251HPN152MC54M  | 2.000 × 2.125                     | C54            | 88.4                             | 3.71   |
|                              | 2,200              | E32D251HPN222MC67M  | 2.000 × 2.625                     | C67            | 60.1                             | 4.78   |
|                              | 3,300              | E32D251HPN332MC79M  | 2.000 × 3.125                     | C79            | 41.0                             | 6.28   |
|                              | 3,900              | E32D251HPN392MC92M  | 2.000 × 3.625                     | C92            | 34.6                             | 7.29   |
|                              | 4,700              | E32D251HPN472MCA5M  | 2.000 × 4.125                     | CA5            | 29.0                             | 8.49   |
|                              | 5,600              | E32D251HPN562MCB7M  | 2.000 × 4.625                     | CB7            | 24.7                             | 9.72   |
|                              | 6,800              | E32D251HPN682MCD0M  | 2.000 × 5.125                     | CD0            | 20.7                             | 11.24  |
|                              | 5,600              | E32D251HPN562MD79M  | 2.500 × 3.125                     | D79            | 27.7                             | 9.32   |
|                              | 8,200              | E32D251HPN822MDA5M  | 2.500 × 4.125                     | DA5            | 19.3                             | 12.73  |

† For terminal, mounting and construction options, refer to the part numbering system for descriptions and codes.

\* Refer to diagram of dimensions for detailed case size specifications.

## Standard Voltage Ratings - Screw Terminals

| Rated Voltage (WVDC)         | Capacitance (µF)   | Global Part Number† | Nominal Case Size* D × L (inches) | Case Size Code | Maximum ESR (mΩ) at +25°C, 120Hz | Rated Ripple Current (A rms) at +85°C, 120Hz |
|------------------------------|--------------------|---------------------|-----------------------------------|----------------|----------------------------------|--|
| 250 Volts<br>300 Volts Surge | 10,000             | E32D251HPN103MDB7M  | 2.500 × 4.625                     | DB7            | 18.5                             | 14.74  |
|                              | 12,000             | E32D251HPN123MDE3M  | 2.500 × 5.625                     | DE3            | 13.6                             | 17.65  |
|                              | 10,000             | E32D251HPN103ME92M  | 3.000 × 3.625                     | E92            | 18.8                             | 14.67  |
|                              | 12,000             | E32D251HPN123MEA5M  | 3.000 × 4.125                     | EA5            | 15.9                             | 16.99  |
|                              | 15,000             | E32D251HPN153MED0M  | 3.000 × 5.125                     | ED0            | 12.7                             | 20.82  |
|                              | 18,000             | E32D251HPN183MEE3M  | 3.000 × 5.625                     | EE3            | 11.2                             | 23.78  |
|                              | 27,000             | E32D251HPN273MEN0M  | 3.000 × 8.625                     | EN0            | 7.7                              | 35.30  |
| 315 Volts<br>365 Volts Surge | 220                | E32D3B1HPN221MA41M  | 1.375 × 1.625                     | A41            | 750.3                            | 1.59   |
|                              | 330                | E32D3B1HPN331MA54M  | 1.375 × 2.125                     | A54            | 492.0                            | 2.08   |
|                              | 470                | E32D3B1HPN471MA67M  | 1.375 × 2.625                     | A67            | 343.8                            | 2.52   |
|                              | 680                | E32D3B1HPN681MA79M  | 1.375 × 3.125                     | A79            | 237.8                            | 3.36   |
|                              | 820                | E32D3B1HPN821MA92M  | 1.375 × 3.625                     | A92            | 197.2                            | 3.14   |
|                              | 1,000              | E32D3B1HPN102MAA5M  | 1.375 × 4.125                     | AA5            | 161.9                            | 8.46   |
|                              | 1,200              | E32D3B1HPN122MAD0M  | 1.375 × 5.125                     | AD0            | 134.9                            | 9.96   |
|                              | 470                | E32D3B1HPN471MC48M  | 2.000 × 1.875                     | C48            | 354.0                            | 2.80   |
|                              | 680                | E32D3B1HPN681MC54M  | 2.000 × 2.125                     | C54            | 243.1                            | 3.53   |
|                              | 1,000              | E32D3B1HPN102MC67M  | 2.000 × 2.625                     | C67            | 164.1                            | 3.72   |
|                              | 1,200              | E32D3B1HPN122MC79M  | 2.000 × 3.125                     | C79            | 135.9                            | 4.37   |
|                              | 1,800              | E32D3B1HPN182MC92M  | 2.000 × 3.625                     | C92            | 91.0                             | 5.72   |
|                              | 2,200              | E32D3B1HPN222MCA5M  | 2.000 × 4.125                     | CA5            | 75.0                             | 6.70   |
|                              | 2,700              | E32D3B1HPN272MCB7M  | 2.000 × 4.625                     | CB7            | 61.3                             | 7.80   |
|                              | 3,300              | E32D3B1HPN332MCE3M  | 2.000 × 5.625                     | CE3            | 50.3                             | 9.44   |
|                              | 2,200              | E32D3B1HPN222MD79M  | 2.500 × 3.125                     | D79            | 77.0                             | 6.75   |
|                              | 3,300              | E32D3B1HPN332MDA5M  | 2.500 × 4.125                     | DA5            | 51.7                             | 9.32   |
|                              | 3,900              | E32D3B1HPN392MDB7M  | 2.500 × 4.625                     | DB7            | 43.7                             | 10.63  |
|                              | 4,700              | E32D3B1HPN472MDD0M  | 2.500 × 5.125                     | DD0            | 36.9                             | 12.22  |
|                              | 3,900              | E32D3B1HPN392ME92M  | 3.000 × 3.625                     | E92            | 45.7                             | 10.58  |
| 4,700                        | E32D3B1HPN472MEA5M | 3.000 × 4.125       | EA5                               | 38.2           | 12.28                            |  |
| 5,600                        | E32D3B1HPN562MEB7M | 3.000 × 4.625       | EB7                               | 32.4           | 14.03                            |  |
| 6,800                        | E32D3B1HPN682MED0M | 3.000 × 5.125       | ED0                               | 27.2           | 16.19                            |  |
| 8,200                        | E32D3B1HPN822MEE3M | 3.000 × 5.625       | EE3                               | 23.1           | 18.53                            |  |
| 12,000                       | E32D3B1HPN123MEN0M | 3.000 × 8.625       | EN0                               | 16.0           | 27.17                            |  |
| 350 Volts<br>400 Volts Surge | 180                | E32D351HPN181MA41M  | 1.375 × 1.625                     | A41            | 882.3                            | 1.43   |
|                              | 330                | E32D351HPN331MA54M  | 1.375 × 2.125                     | A54            | 475.0                            | 2.08   |
|                              | 470                | E32D351HPN471MA67M  | 1.375 × 2.625                     | A67            | 332.0                            | 2.52   |
|                              | 560                | E32D351HPN561MA79M  | 1.375 × 3.125                     | A79            | 277.6                            | 3.05   |
|                              | 680                | E32D351HPN681MA92M  | 1.375 × 3.625                     | A92            | 228.5                            | 3.36   |
|                              | 820                | E32D351HPN821MAA5M  | 1.375 × 4.125                     | AA5            | 189.6                            | 3.43   |
|                              | 1,000              | E32D351HPN102MAB7M  | 1.375 × 4.625                     | AB7            | 156.0                            | 3.87   |
|                              | 1,200              | E32D351HPN122MAD0M  | 1.375 × 5.125                     | AD0            | 130.0                            | 4.45   |
|                              | 470                | E32D351HPN471MC48M  | 2.000 × 1.875                     | C48            | 342.0                            | 2.80   |
|                              | 680                | E32D351HPN681MC54M  | 2.000 × 2.125                     | C54            | 235.0                            | 3.53   |
|                              | 1,000              | E32D351HPN102MC67M  | 2.000 × 2.625                     | C67            | 156.0                            | 3.72   |
|                              | 1,200              | E32D351HPN122MC79M  | 2.000 × 3.125                     | C79            | 131.3                            | 4.37   |
|                              | 1,800              | E32D351HPN182MC92M  | 2.000 × 3.625                     | C92            | 88.0                             | 5.72   |
|                              | 2,200              | E32D351HPN222MCB7M  | 2.000 × 4.625                     | CB7            | 71.9                             | 7.04   |
|                              | 2,700              | E32D351HPN272MCD0M  | 2.000 × 5.125                     | CD0            | 59.0                             | 8.18   |
|                              | 2,200              | E32D351HPN222MD79M  | 2.500 × 3.125                     | D79            | 75.0                             | 6.75   |
|                              | 3,300              | E32D351HPN332MDA5M  | 2.500 × 4.125                     | DA5            | 50.0                             | 9.32   |
|                              | 3,900              | E32D351HPN392MDB7M  | 2.500 × 4.625                     | DB7            | 42.0                             | 10.63  |
|                              | 4,700              | E32D351HPN472MDE3M  | 2.500 × 5.625                     | DE3            | 35.0                             | 12.76  |
|                              | 3,900              | E32D351HPN392ME92M  | 3.000 × 3.625                     | E92            | 44.0                             | 10.58  |
| 4,700                        | E32D351HPN472MEA5M | 3.000 × 4.125       | EA5                               | 37.0           | 12.28                            |  |
| 5,600                        | E32D351HPN562MEB7M | 3.000 × 4.625       | EB7                               | 32.0           | 14.03                            |  |
| 6,800                        | E32D351HPN682MED0M | 3.000 × 5.125       | ED0                               | 27.0           | 16.19                            |  |
| 10,000                       | E32D351HPN103MEN0M | 3.000 × 8.625       | EN0                               | 17.9           | 24.81                            |  |

†For terminal, mounting and construction options, refer to the part numbering system for descriptions and codes.

\*Refer to diagram of dimensions for detailed case size specifications.

## Standard Voltage Ratings - Screw Terminals

| Rated Voltage (WVDC)                | Capacitance (µF)   | Global Part Number† | Nominal Case Size* D × L (inches) | Case Size Code | Maximum ESR (mΩ) at +25°C, 120Hz | Rated Ripple Current (A rms) at +85°C, 120Hz |
|-------------------------------------|--------------------|---------------------|-----------------------------------|----------------|----------------------------------|--|
| <b>350 Volts</b><br>400 Volts Surge | 5,600              | E32D351LLN562MFA5M  | 3.500 × 4.125                     | FA5            | 35.0                             | 15.40  |
|                                     | 6,800              | E32D351LLN682MFB7M  | 3.500 × 4.625                     | FB7            | 30.0                             | 17.28  |
|                                     | 8,200              | E32D351LLN822MFE3M  | 3.500 × 5.625                     | FE3            | 24.0                             | 21.00  |
| <b>400 Volts</b><br>450 Volts Surge | 180                | E32D401HPN181MA41M  | 1.375 × 1.625                     | A41            | 806.0                            | 1.43   |
|                                     | 270                | E32D401HPN271MA54M  | 1.375 × 2.125                     | A54            | 528.4                            | 1.88   |
|                                     | 390                | E32D401HPN391MA67M  | 1.375 × 2.625                     | A67            | 364.1                            | 2.30   |
|                                     | 470                | E32D401HPN471MA79M  | 1.375 × 3.125                     | A79            | 301.2                            | 2.79   |
|                                     | 680                | E32D401HPN681MA92M  | 1.375 × 3.625                     | A92            | 209.0                            | 2.86   |
|                                     | 820                | E32D401HPN821MAB7M  | 1.375 × 4.625                     | AB7            | 172.9                            | 3.50   |
|                                     | 1,000              | E32D401HPN102MAD0M  | 1.375 × 5.125                     | AD0            | 142.0                            | 4.06   |
|                                     | 390                | E32D401HPN391MC48M  | 2.000 × 1.875                     | C48            | 374.9                            | 2.55   |
|                                     | 560                | E32D401HPN561MC54M  | 2.000 × 2.125                     | C54            | 259.0                            | 3.21   |
|                                     | 820                | E32D401HPN821MC67M  | 2.000 × 2.625                     | C67            | 176.0                            | 3.37   |
|                                     | 1,000              | E32D401HPN102MC79M  | 2.000 × 3.125                     | C79            | 143.3                            | 3.99   |
|                                     | 1,500              | E32D401HPN152MC92M  | 2.000 × 3.625                     | C92            | 96.0                             | 5.22   |
|                                     | 2,200              | E32D401HPN222MCB7M  | 2.000 × 4.625                     | CB7            | 66.0                             | 7.04   |
|                                     | 2,700              | E32D401HPN272MCE3M  | 2.000 × 5.625                     | CE3            | 54.0                             | 8.54   |
|                                     | 1,800              | E32D401HPN182MD79M  | 2.500 × 3.125                     | D79            | 82.0                             | 6.10   |
|                                     | 2,700              | E32D401HPN272MDA5M  | 2.500 × 4.125                     | DA5            | 55.0                             | 8.43   |
|                                     | 3,300              | E32D401HPN332MDB7M  | 2.500 × 4.625                     | DB7            | 45.4                             | 9.78   |
|                                     | 3,900              | E32D401HPN392MDD0M  | 2.500 × 5.125                     | DD0            | 39.0                             | 11.13  |
|                                     | 3,300              | E32D401HPN332ME92M  | 3.000 × 3.625                     | E92            | 48.0                             | 9.73   |
|                                     | 3,900              | E32D401HPN392MEA5M  | 3.000 × 4.125                     | EA5            | 40.3                             | 11.18  |
|                                     | 4,700              | E32D401HPN472MEB7M  | 3.000 × 4.625                     | EB7            | 34.0                             | 12.86  |
|                                     | 5,600              | E32D401HPN562MED0M  | 3.000 × 5.125                     | ED0            | 29.0                             | 14.69  |
|                                     | 10,000             | E32D401HPN103MEN0M  | 3.000 × 8.625                     | EN0            | 17.0                             | 24.81  |
| 4,700                               | E32D401LLN472MFA5M | 3.500 × 4.125       | FA5                               | 36.0           | 15.19                            |  |
| 5,600                               | E32D401LLN562MFB7M | 3.500 × 4.625       | FB7                               | 32.0           | 16.73                            |  |
| 6,800                               | E32D401LLN682MFE3M | 3.500 × 5.625       | FE3                               | 25.0           | 20.58                            |  |

† For terminal, mounting and construction options, refer to the part numbering system for descriptions and codes.

\* Refer to diagram of dimensions for detailed case size specifications.

## X-ON Electronics

Largest Supplier of Electrical and Electronic Components

*Click to view similar products for Aluminium Electrolytic Capacitors - Screw Terminal category:*

*Click to view products by United Chemicon manufacturer:*

Other Similar products are found below :

[M39018/04-2181M](#) [M39018/06-0125M](#) [M39018/06-0158M](#) [A331FH221M500A](#) [A331FD682M063A](#) [A331LH223M063A](#)  
[A331PM682M200A](#) [FAS220250AA](#) [M39018/04-2146M](#) [36DA222F450CC2A](#) [32D502F075CD2B](#) [36D552G040AC2A](#) [36DA223F025BA2A](#)  
[36DA563F050BF2A](#) [36DA152F400BC2AEA](#) [M39018/04-2145M](#) [36DA683F025BL2A](#) [M39018/06-0139M](#) [A331PM472M250A](#)  
[E74D400HPN173TCE3M](#) [500X822U450DG1B](#) [HV101761T250BA2A](#) [A331LH683M025A](#) [A331LM333M063A](#) [A331TW682M500A](#)  
[ALS36H222L5L350](#) [550322T450DF2BP](#) [500332U050BB2B](#) [3186EC422U100APA1](#) [E36D351CPN402TEE3U](#) [HES352T325X5L](#)  
[E36D800HPN104MEE3U](#) [E36D401HPN542TEH0U](#) [E36D451LPN412TEB7U](#) [E32D3B1HPN222MD79U](#) [E36D800HLN104MEE3U](#) [MC-](#)  
[TD5.08H02C-0001](#) [DB2EKCM-5.08-2P-GN](#) [DB129R-5.0-2P-GN-S](#) [DB129R-5.0-3P-GN-S](#) [DB129R-5.08-2P-GN-S](#) [DB129R-5.08-3P-GN-S](#)  
[CGH292T250V3L](#) [MAL210158103E3](#) [MAL210253472E3](#) [B41458B7479M000](#) [B43703A5828M000](#) [B43742A4189M000](#)  
[B43742A5278M000](#) [B43742A6188M000](#)