

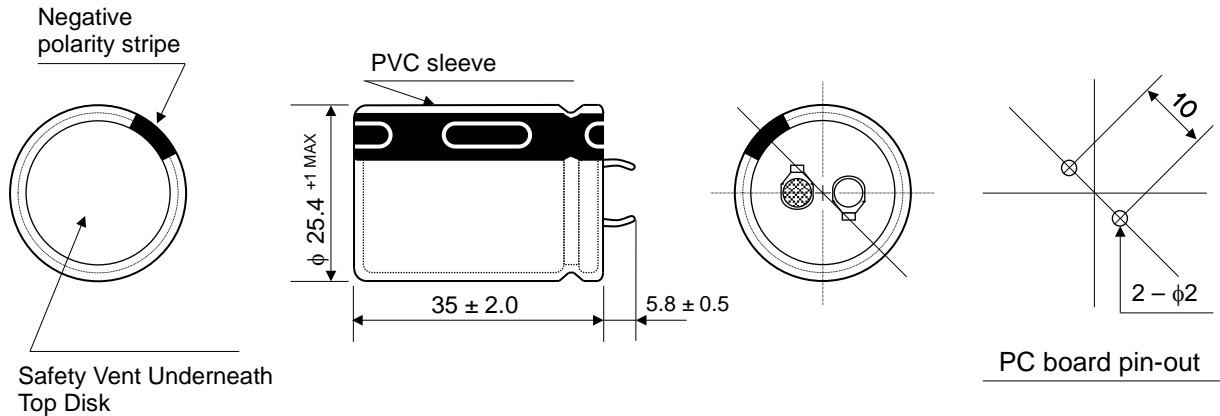


## Specifications for Aluminum Electrolytic Capacitor

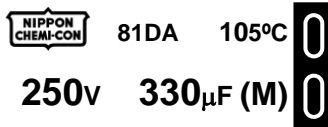
Description : E81D251VNN331MQ35U  
 Rating : 250V<sub>DC</sub>, 330 $\mu$ F ( $\phi$ 25.4 x 35L)

### 1. Dimensions

[Unit : mm]



### 2. Marking



Finish method

1. The rivet head of the negative terminal shall be either carved in a grid pattern or printed over with .
2. The PVC sleeve shall be so placed on the capacitor body that its negative polarity stripe can match to the negative terminal.
3. Lot number shall be marked either of the sleeve or top disk.
4. The terminal shall be capable of being inserted in the gage with the PC board pin-out shown above.

### 3. Electrical Characteristics

Item description	E81D251VNN331MQ35U	
Operating temperature range	-40°C to +105°C	
Working voltage	250 V <sub>DC</sub>	
Surge voltage	300 V <sub>DC</sub>	
Nominal capacitance	330 $\mu$ F	20°C, 120Hz
Capacitance tolerance	-20 to +20 %	20°C, 120Hz
Max ESR	371 mohms	25°C, 120Hz
Leakage current	1150 $\mu$ A max.	20°C, 5min.
Rated ripple current	1.99 Arms. max.	85°C, 120Hz
Endurance	2,000 hours	105°C with ripple

### 4. Others

Other specifications shall be compliant with JIS C 5141, symbol W.  
 Compliant with RoHS Directive 2011/65/EU and 2015/863/EU

## X-ON Electronics

Largest Supplier of Electrical and Electronic Components

*Click to view similar products for Aluminium Electrolytic Capacitors - Snap In category:*

*Click to view products by United Chemicon manufacturer:*

Other Similar products are found below :

[NRLF103M25V35X20F](#) [EET-XB2W221LA](#) [108LMB200M2ED](#) [B41231C4229M](#) [LGM2W181MELA25](#) [ALC40F1012DH](#) [ALC40E1004EL](#)  
[383LX332M250N082V](#) [LGZ2W271MELC45](#) [LGZ2W221MELC40](#) [LGZ2W151MELC30](#) [LGZ2W121MELC25](#) [ALA8DA561EF500](#)  
[ALA8DA471EE500](#) [DCMC142T250AB2A](#) [ESMH630VSN123MA45U](#) [ESMH101VNN682MA50U](#) [ESMH630VRT183MB50U](#)  
[ELG229M016AS3AA](#) [B43630F2827M000](#) [MAL215757331E3](#) [MAL229956561E3](#) [MAL229967471E3](#) [MAL229967821E3](#)  
[ALC70A102EH400](#) [MAL205855103E3](#) [MAL209436471E3](#) [B41303B8228M000](#) [B41303A7159M000](#) [E81D251VNN331MQ35U](#)  
[ELXS451VNN820MP25S](#) [ESMM181VSN402QA70U](#) [B43642A2567M067](#) [MAL209018472E3](#) [ELXG160VNN562MP25S](#)  
[ELXG160VSN562MP25S](#) [HC1C339M30040HA](#) [HE1E229M30045HA](#) [HE1J109M40040HA](#) [HE1J478M35030HA](#) [HE2E108M35040HA](#)  
[HE2E227M22030HA](#) [HE2W157M25030HC](#) [338LBA035M2BC](#) [35MXG22000MEFCSN35X40](#) [380LX680M500J012](#) [381LX101M450H022](#)  
[382LX103M080N052](#) [382LX103M200B102VS](#) [382LX123M063A052](#)