



CUSTOMER:

CUSTOMER PN:

UCC PN: E82D500VNN122MP25T

UCC MAXCIM NO.: 88606

ELECTRICAL CRITERIA

CAPACITANCE (120Hz/20°C): 1200 μ F
 CAP.TOLERANCE: ± 20 %
 RATED VDC 50 V
 SURGE VDC (30 sec): 63 V
 MAX. ESR (120Hz/20°C): 148 m Ω
 MAX. IRMS (120Hz/85°C): 1.71 A
 MAX. DCL (V_{DC}/5:00/20°C): 0.980 mA

MECHANICAL CRITERIA

MAX. VIBRATION: 10-55Hz 10g

OPERATING CRITERIA

MAX. TEMPERATURE: +85 °C
 MIN. TEMPERATURE: -40 °C
 LOAD LIFE (VDC/85°C): 2000 Hrs
 MAX. Δ CAP. (measured value): ≤ 15 %
 MAX.ESR δ (specified value): ≤ 1.5 x
 MAX. DCL (V_{DC}/5:00/20°C): 0.980 mA
 SHELF LIFE (85°C): 500 Hrs
 MAX. Δ CAP. (measured value): ≤ 15 %
 MAX.ESR δ (specified value): ≤ 1.3 x
 MAX. DCL (V_{DC}/5:00/20°C): 1.960 mA

IRMS FREQUENCY MULTIPLIERS

VDC	50-60	300-1k	>1k
16-49	0.85	1.10	1.15
50-199	0.83	1.15	1.20
200-500	0.80	1.30	1.40

IRMS AMBIENT MULTIPLIERS

55°C	65°C	75°C	85°C
2.00	1.70	1.40	1.00

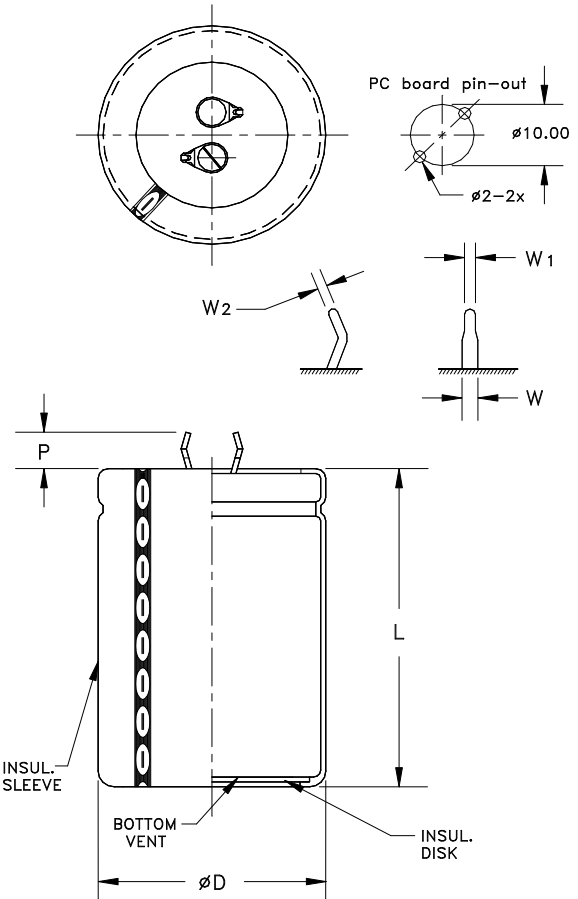
SPECIAL

RoHS Compliant

DIMENSIONAL CRITERIA				
X	mm		in	
	ϕ D	22.0	- NA	+ 1.0
L	25.0	- 2.0	+ 2.0	
P	5.8	- 1.0	+ 1.0	
W	1.5	- 0.2	+ 0.2	
W1	1.0	- 0.1	+ 0.1	
W2	1.0	- 0.1	+ 0.1	

MARKING

82D 85°C
 1200uF(M) 50 V
 Date Code



TDS NO.: TDS-08-0588
 AUTHOR: LMI
 DATE: 02-OCT-2008

X-ON Electronics

Largest Supplier of Electrical and Electronic Components

Click to view similar products for Aluminium Electrolytic Capacitors - Snap In category:

Click to view products by United Chemicon manufacturer:

Other Similar products are found below :

[NRLF103M25V35X20F](#) [EET-XB2W221LA](#) [419-2066-400](#) [B41231C4229M](#) [B43508C5337M062](#) [MAL215969181E3](#) [ALC40F1012DH](#)
[ALC40E1004EL](#) [383LX332M250N082V](#) [LGZ2W101MELB30](#) [LGZ2W151MELB40](#) [LGZ2W271MELC45](#) [LGZ2W221MELC40](#)
[LGZ2W331MELC50](#) [LGZ2W121MELC25](#) [HFE102M35070FVA](#) [KN821M40035x50A](#) [EKMM451VSN471MA45S](#)
[EKMW451VSN331MR30S](#) [ELXS601VSN121MA30S](#) [ESMH101VNN682MA50U](#) [KN471M20022*36A](#) [ELH2GM221P30KT](#)
[ELT2WM221Q35KT](#) [CK221MOH40B](#) [CK103MGI45B](#) [CL221KPI30B](#) [CL271MPI40B](#) [CL471MVJ50B](#) [EKMR451VSN471MA35S](#)
[EKMR451VSN151MP35S](#) [ELXS421VSN221MP45S](#) [KN331M40030*35A](#) [ELG229M016AS3AA](#) [B43541A6397M000](#) [B43544C6227M000](#)
[B43630B5477M067](#) [B43630F2827M000](#) [B43640E9477M000](#) [B43644J6477M000](#) [MAL215757331E3](#) [MAL229956561E3](#)
[MAL229966182E3](#) [MAL229967471E3](#) [MAL229967821E3](#) [ALC70A821EF400](#) [ALC70A102EH400](#) [MAL205658102E3](#) [MAL205855103E3](#)
[MAL209436471E3](#)