

● Feature

- ☑ Endurance : 125°C 4,000h (with ripple)
- ☑ Voltage: 16 to 63V_{dc}
- ☑ Capacitance: **56 to 820μF**
- ☑ Size: φ6.3×5.8L to φ10×10L
- ☑ Bias humidity: 85°C/85%RH 2,000h

● Product Chart

- ☑ **Recommended to replace in HXD/HXC to HXJ**

*Lineup for High capacitance (SMD type)

HXD

- 105°C Standard
- 22 to 470μF
- 105°C 5,000h

Since 2017.05

HXC

- 125°C Standard
- 6.8 to 470μF
- **125°C 4,000h**

Since 2016.02

2020.08

Upgrade!

HXJ

- **Expanded higher cap. at 25v!!**
- **Expanded to 50v, 63v!!**
- **Higher cap. / ripple current**
- **56 to 820μF**
- **125°C 4,000h**



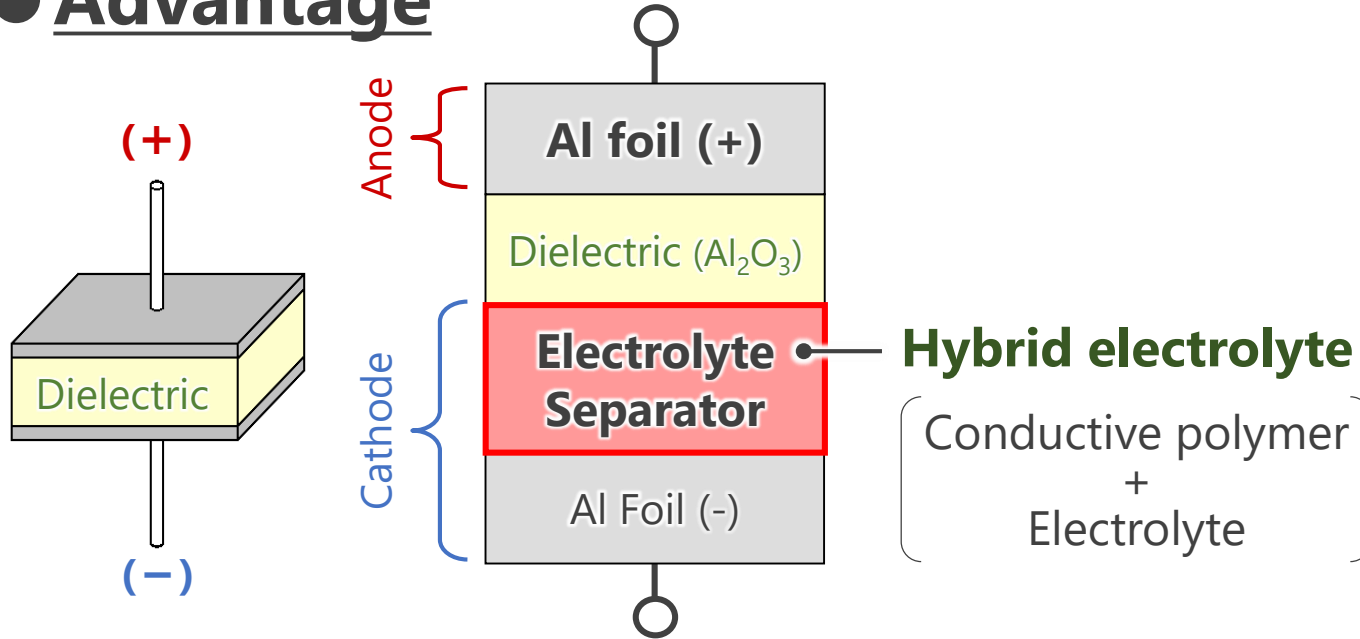
Since 2019.12

● Recommended Application

- ☑ For high temperature / High reliability usage
- ☑ For automotive
- ☑ For power supplies (Base station)



● Advantage



☑ Four advantages of HXJ



- ① Super low ESR above 16v
- ② Wear-out failure (Open Circuit & Safety)
- ③ Higher capacitance
- ④ Higher ripple current

Conventional
HXC

【 Key Technologies 】

Al foil

- High capacitance foil

Electrolyte

- Optimizing conductive polymer

HXJ

2020.08

Upgrade!

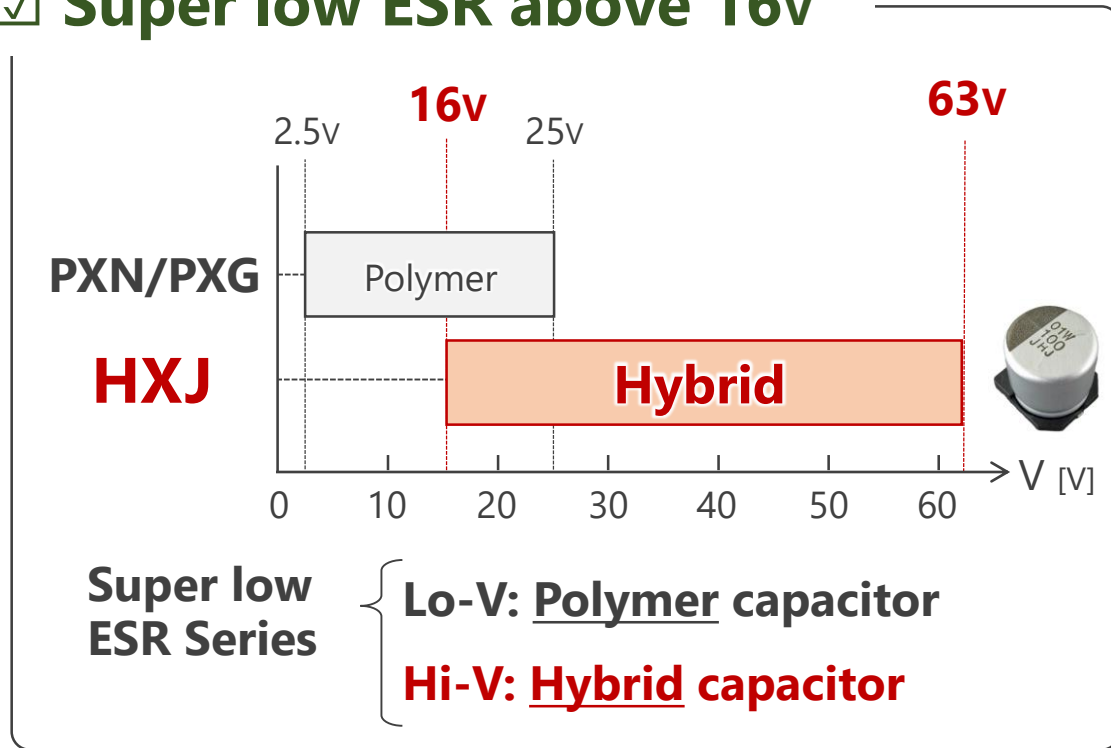
Expanded higher cap. at 25v!!
Expanded to 50v, 63v!!

● Benefit/Evidence

- ➔ ① Super low ESR above 16v / ② Wear-out failure (Open circuit & Safety)
 ③ Higher cap. / ④ Higher ripple · · · Equipment downsizing, Reduced # of capacitors



☑ Super low ESR above 16v



☑ Wear-out failure (Safety)



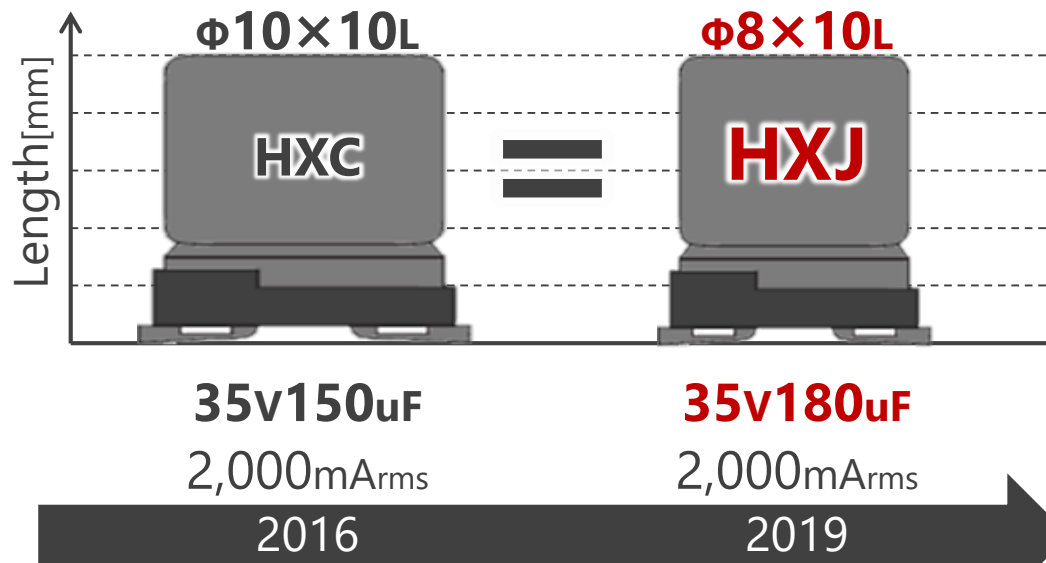
● Benefit/Evidence

① Super low ESR above 16v / ② Wear-out failure (Open circuit & Safety)

➔ ③ **Higher cap.** / ④ **Higher ripple** · · · **Equipment downsizing, Reduced # of capacitors**

☑ **Downsizing + Higher cap.**

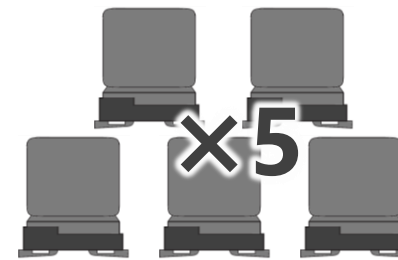
(Fixed ripple current)



☑ **Reduced number** (Fixed total ripple current)

HXC

35V 100 μ F (Φ8×10L)
 1,600mArms/pc



8,000mArms/500 μ F

2016

HXJ

35V 220 μ F (Φ8×10L)
 2,000mArms/pc



8,000mArms/880 μ F

2019

X-ON Electronics

Largest Supplier of Electrical and Electronic Components

Click to view similar products for [Aluminium Organic Polymer Capacitors](#) category:

Click to view products by [United Chemicon](#) manufacturer:

Other Similar products are found below :

[D38999/20WJ43SN-LC](#) [750-1809](#) [MS27467T25F24P](#) [MS27467T25F29P](#) [SEAU0A0102G](#) [MS3470W8-33P L/C](#) [MAL218497801E3](#)
[MAL218497803E3](#) [MAL218497701E3](#) [MAL218497804E3](#) [MAL218697005E3](#) [MAL218697106E3](#) [MAL218297103E3](#) [MAL218397104E3](#)
[MAL218297604E3](#) [MAL218697601E3](#) [MAL218697554E3](#) [MAL218697607E3](#) [MAL218397702E3](#) [MAL218297702E3](#) [MAL218497901E3](#)
[MAL218497806E3](#) [MAL218697001E3](#) [MPP683J6130510LC](#) [PCZ1V181MCL1GS](#) [PCZ1V221MCL1GS](#) [PCZ1E331MCL1GS](#) [40HVH120M](#)
[35PZF270MT810X9](#) [GYA1C151MCQ1GS](#) [GYA1C271MCQ1GS](#) [GYA1C471MCQ1GS](#) [GYA1C820MCQ1GS](#) [BC6R3M471LC6.3*8L-](#)
[1A4T](#) [8221LEM0809H2RR00O](#) [ULR277M1CF1ARR](#) [8221LFM1013H2RR00O](#) [160ARUP471M06A1E10T](#) [6R3AREP271M05X7E15P26](#)
[250ARHA102M10A6T](#) [SPZ1VM221F11O00RAXXX](#) [SPZ1EM471E14O00RAXXX](#) [SPZ1JM470E09O00RAXXX](#)
[SPZ1HM331G15O00RAXXX](#) [SPZ1AM122G12O00RAXXX](#) [SPZ1AM152G12O00RAXXX](#) [SPZ1VM681G16O00RAXXX](#)
[SPZ1HM220E07O00RAXXX](#) [RNE1C561MDNASQ](#) [RNU1D391MDN1](#)