



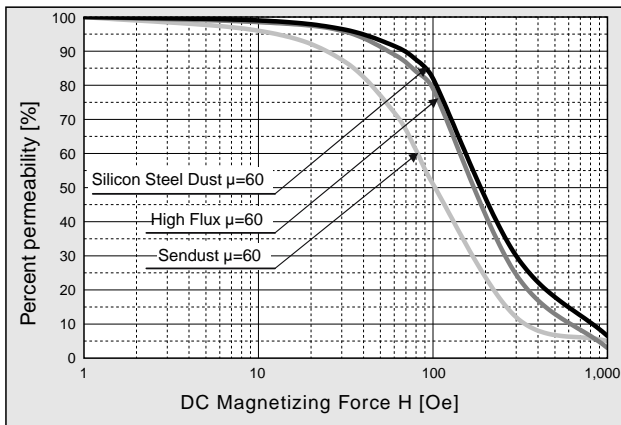
◆ MAJOR USES

- Output choke coils for Switching Mode Power Supply
- Choke coils for DC-DC converter
- Normal mode choke coils for noise control
- Choke coils for Power Factor Corrective circuit

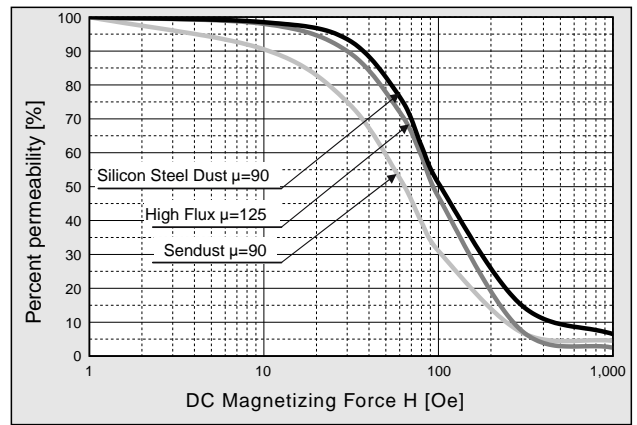
◆ FEATURES

- Excellent characteristics in frequency and temperature
- Miniaturization and excellent D.C. bias characteristics in comparison with ferrite choke coils by the feature of higher saturation magnetic flux density

◆ D.C. bias of Dust core (1)

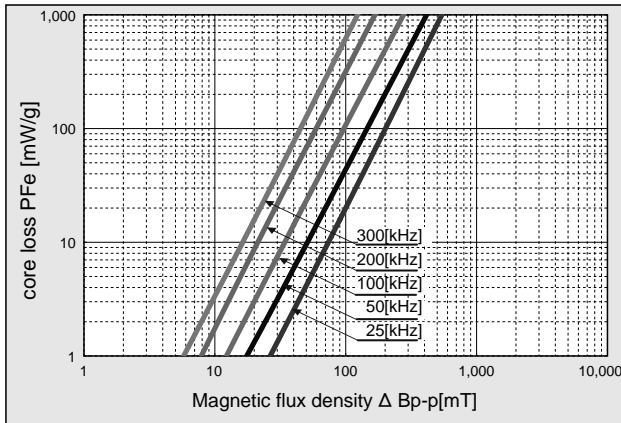


◆ D.C. bias of Dust core (2)



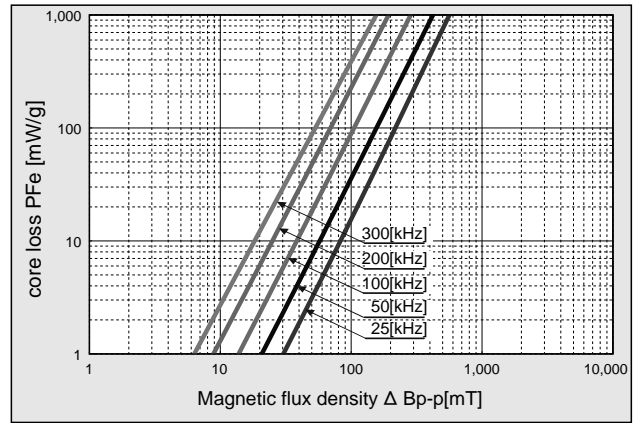
◆ Core Loss Characteristics (Magnetic Flux Density Dependency)

- Sendust(Fe-Si-Al)



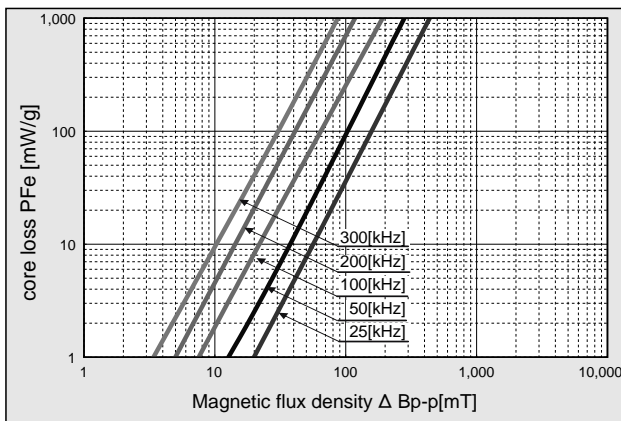
◆ Core Loss Characteristics (Magnetic Flux Density Dependency)

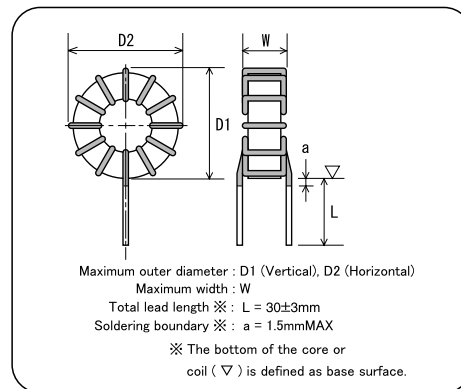
- High Flux(Fe-Ni)



◆ Core Loss Characteristics (Magnetic Flux Density Dependency)

- Silicon steel dust (Fe-Si)





◆COIL STANDARD SPECIFICATIONS

Coil Part No.	Rated Current A	Inductance ¹ (100kHz)		D.C.R. mΩ (max)	Winding ² mmφ×lines-turns	Outside Dimensions		
		0[A] μH	Rating μH			D1 mm	D2 mm	W mm
● LHDM001451AQDV0E	1	590	450	260	0.5φ×1P-96T	22.5	23.5	12.5
● LHDM002141AQDV0E	2	190	135	78	0.7φ×1P-54T	22.5	23.5	12.5
● LHDM003800AQDV0E	3	120	80	48	0.8φ×1P-43T	23.0	24.0	13.5
● LHDM005300AQDV0E	5	46	30	23	1.0φ×1P-27T	23.5	24.5	14.5
● LHDM001801ARDV0E	1	1100	800	400	0.5φ×1P-150T	25.5	26.5	12.5
● LHDM002331ARDV0E	2	550	330	150	0.7φ×1P-103T	26.0	27.0	14.0
● LHDM003101ARDV0E	3	140	100	58	0.8φ×1P-52T	26.0	27.0	14.0
● LHDM005550ARDV0E	5	95	55	32	1.0φ×1P-43T	26.5	27.0	14.5
◎ LHDM003251AUGV0E	3	360	250	90	0.8φ×1P-68T	32.5	33.0	14.0
◎ LHDM005161AUGV0E	5	310	160	55	1.0φ×1P-63T	33.5	34.0	15.0
◎ LHDM010300AUGV0E	10	48	30	14	1.1φ×2P-25T	34.0	34.5	16.0
◎ LHDM002951AUDV0E ^{*3}	2	1500	950	260	0.7φ×1P-113T	32.5	33.5	18.5
◎ LHDM003231AUDV0E ^{*3}	3	300	230	90	0.8φ×1P-50T	32.5	33.5	18.5
◎ LHDM005141AUDV0E ^{*3}	5	210	140	50	1.0φ×1P-42T	33.0	34.0	19.0
◎ LHDM010330AUDV0E ^{*3}	10	48	33	12	1.6φ×1P-20T	35.0	36.0	20.5
◎ LHDM005571AZDV0E ^{*3}	5	800	570	95	1.1φ×1P-61T	52.5	53.0	26.5
◎ LHDM010151AZDV0E ^{*3}	10	220	150	28	1.6φ×1P-32T	55.0	56.0	28.0
◎ LHDM020200AZDV0E ^{*3}	20	26	20	6	1.8φ×2P-11T	55.0	56.0	28.5

*1 Rated inductance tolerance ; ±20%, the inductance at current 0[A] indicates the reference value.

*2 The number of turns indicates the reference value.

The specification of the inductance takes precedence over that of the number of turns.

*3 Correspondence with the core case is possible.

There is a horizontal putting type in all items in the above list.

"V" changes into "H" in last the third digit of the name of items.

There is a type with the length putting seat in ● item in the above list. "D" in last the third digit of the name of items.

There is a type with the length putting seat in ◎ item in the above list.

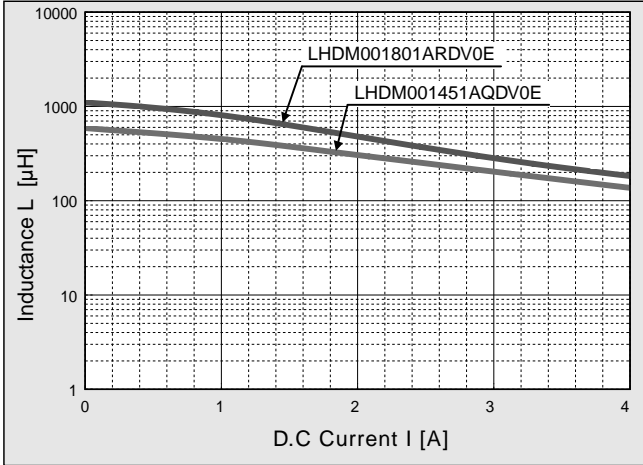
"V" changes into "D" in last the third digit of the name of items.

*Order the auxiliary pins separately if they are required for the pedestal.

Please select them according to the situation.

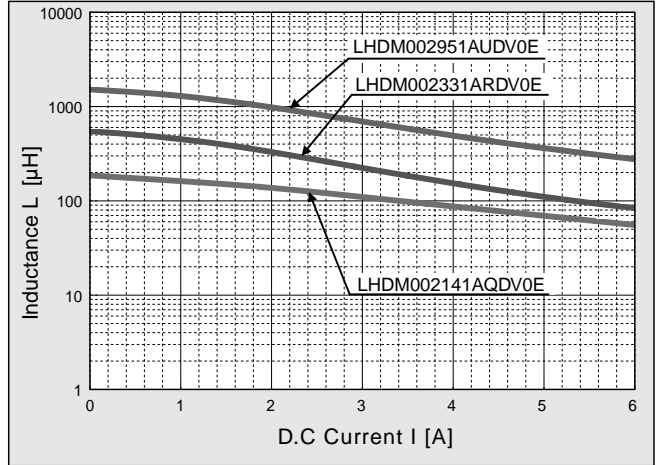
◆D.C. BIAS CHARACTERISTICS (1)

●Rated Current : 1[A], Frequency : 100[kHz]



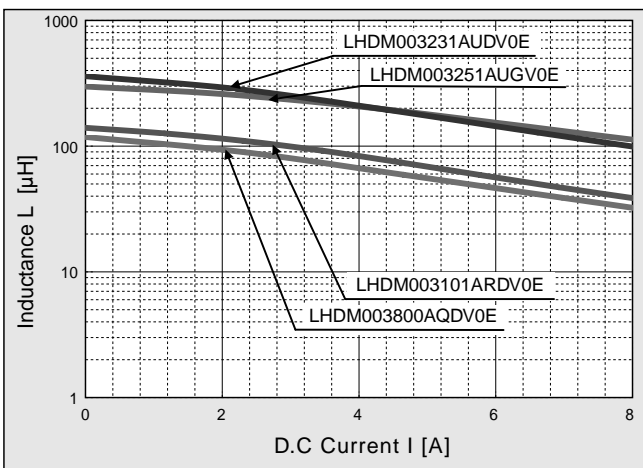
◆D.C. BIAS CHARACTERISTICS (2)

●Rated Current : 2[A], Frequency : 100[kHz]



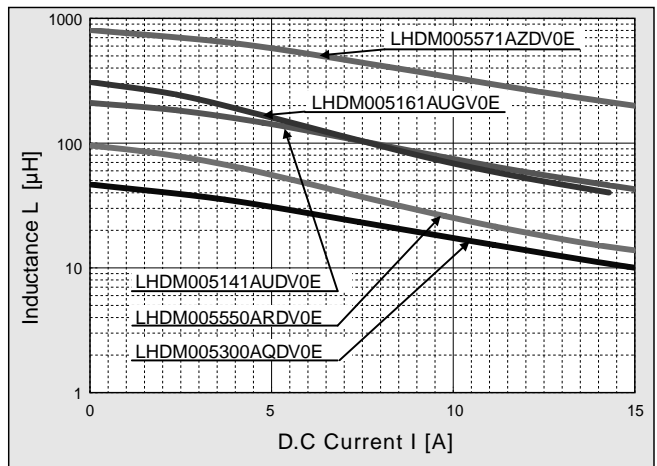
◆D.C. BIAS CHARACTERISTICS (3)

●Rated Current : 3[A], Frequency : 100[kHz]



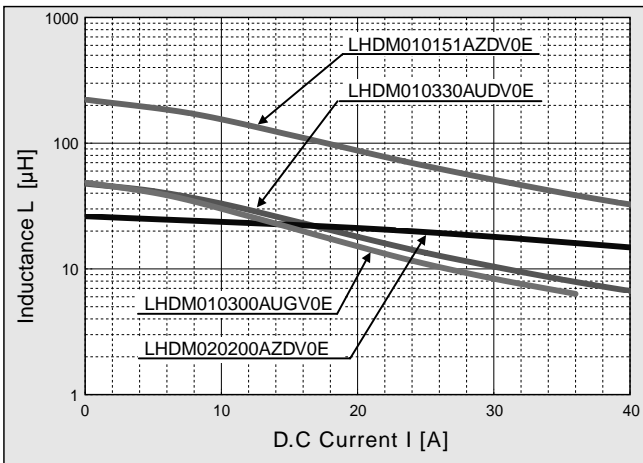
◆D.C. BIAS CHARACTERISTICS (4)

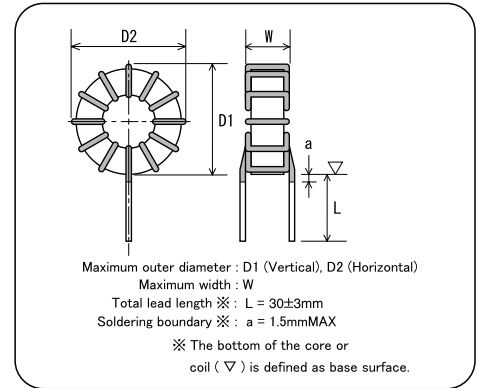
●Rated Current : 5[A], Frequency : 100[kHz]



◆D.C. BIAS CHARACTERISTICS (5)

●Rated Current : 10, 20[A], Frequency : 100[kHz]





◆COIL STANDARD SPECIFICATIONS

Coil Part No.	Rated Current A	Inductance ¹ (100kHz)		D.C.R. mΩ (max)	Winding ² mmφ×lines-turns	Outside Dimensions		
		0[A] μH	Rating μH			D1 mm	D2 mm	W mm
● LHDM003101CPFV0E	3	120	100	45	0.8φ×1P-41T	22.0	23.0	13.5
● LHDM005550CPFV0E	5	78	55	25	1.0φ×1P-33T	22.5	23.5	14.5
● LHDM003231CTBV0E	3	250	230	96	0.8φ×1P-70T	29.0	30.0	16.5
● LHDM005141CTBV0E	5	160	140	52	1.0φ×1P-56T	29.5	30.5	17.5
LHDM010330CTBV0E	10	37	33	12	1.6φ×1P-27T	31.5	32.5	19.5
◎ LHDM005571CYFV0E ^{*3}	5	710	570	76	1.1φ×1P-65T	46.5	47.5	23.0
LHDM010151CYBV0E ^{*3}	10	170	150	28	1.6φ×1P-46T	47.5	48.5	26.0
LHDM020200CYBV0E ^{*3}	20	24	20	6	1.8φ×2P-17T	48.0	49.0	26.5

*1 Rated inductance tolerance ; ±20%, the inductance at current 0[A] indicates the reference value.

*2 The number of turns indicates the reference value.

The specification of the inductance takes precedence over that of the number of turns.

*3 Correspondence with the core case is possible.

There is a horizontal putting type in all items in the above list.

"V" changes into "H" in last the third digit of the name of items.

There is a type with the length putting seat in ● item in the above list. "D" in last the third digit of the name of items.

There is a type with the length putting seat in ◎ item in the above list.

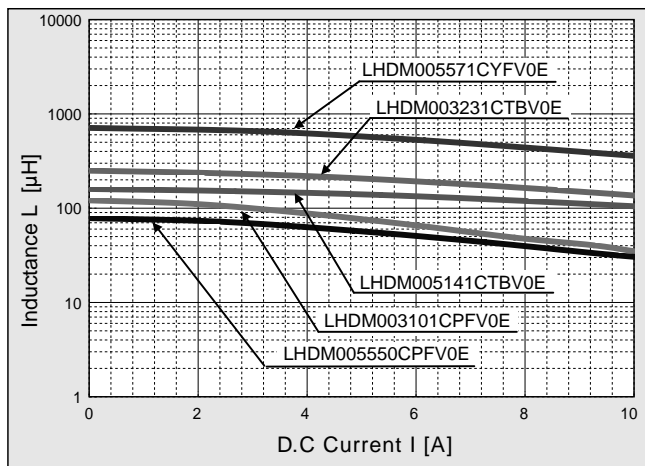
"V" changes into "D" in last the third digit of the name of items.

*Order the auxiliary pins separately if they are required for the pedestal.

Please select them according to the situation.

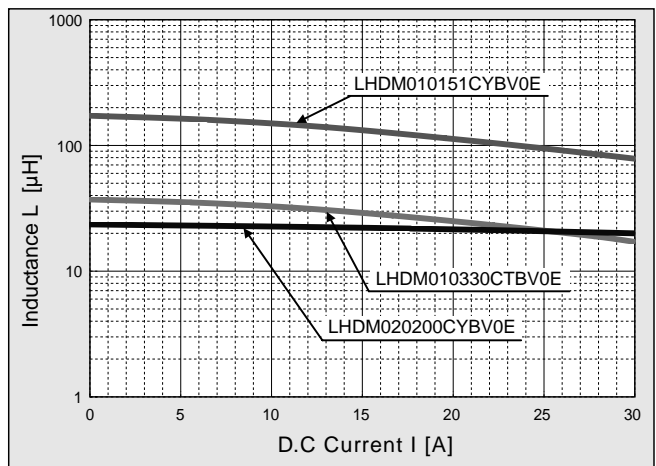
◆D.C. BIAS CHARACTERISTICS (1)

●Frequency : 100[kHz]



◆D.C. BIAS CHARACTERISTICS (2)

●Frequency : 100[kHz]





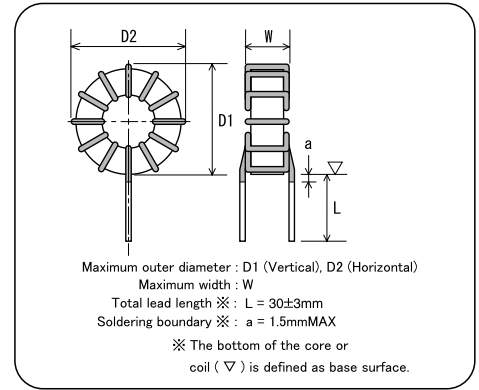
DUST CHOKE COILS

DM Series
High Flux (Apply to core case)



◆FEATURES

- Dust coils of case type are applicable as PET UL94V-0 Type B (130°C).



◆COIL STANDARD SPECIFICATIONS

Coil Part No.	Rated Current A	Inductance ^{*1} (100kHz)		D.C.R. mΩ (max)	Winding ^{*2} mmφ×lines-turns	Outside Dimensions		
		0[A] μH	Rating μH			D1 mm	D2 mm	W mm
◎ LHDM005451DUFV0E	5	620	450	85	1.0φ×1P-63T	34.5	35.5	22.0
◎ LHDM007381DV FV0E	7	640	380	65	1.2φ×1P-71T	41.5	42.0	21.5
LHDM010401DYBV0E	10	490	400	58	1.5φ×1P-78T	50.0	50.5	27.0
LHDM015301DZBV0E	15	360	300	35	1.3φ×2P-52T	57.0	57.5	32.0

*1 Rated inductance tolerance ; ±20%, the inductance at current 0[A] indicates the reference value.

*2 The number of turns indicates the reference value.

The specification of the inductance takes precedence over that of the number of turns.

There is a horizontal putting type in all items in the above list.

"V" changes into "H" in last the third digit of the name of items.

There is a type with the length putting seat in ◎ item in the above list.

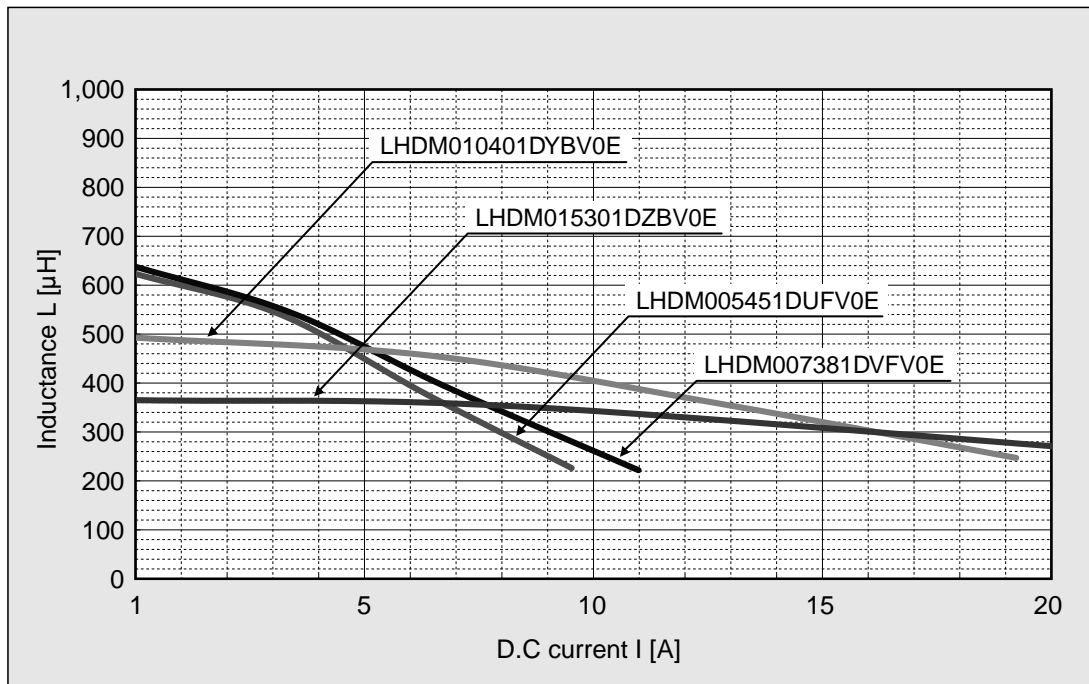
"V" changes into "D" in last the third digit of the name of items.

*Order the auxiliary pins separately if they are required for the pedestal.

Please select them according to the situation.

◆D.C. BIAS CHARACTERISTICS

- Frequency : 100[kHz]



X-ON Electronics

Largest Supplier of Electrical and Electronic Components

Click to view similar products for [Fixed Inductors](#) category:

Click to view products by [United Chemicon](#) manufacturer:

Other Similar products are found below :

[MLZ1608M6R8WTD25](#) [MLZ1608N6R8LT000](#) [MLZ1608N3R3LTD25](#) [MLZ1608N3R3LT000](#) [MLZ1608N150LT000](#)

[MLZ1608M150WTD25](#) [MLZ1608M3R3WTD25](#) [MLZ1608M3R3WT000](#) [MLZ1608M150WT000](#) [MLZ1608A1R5WT000](#)

[MLZ1608N1R5LT000](#) [B82432C1333K000](#) [PCMB053T-1R0MS](#) [PCMB053T-1R5MS](#) [PCMB104T-1R5MS](#) [CR32NP-100KC](#) [CR32NP-](#)

[151KC](#) [CR32NP-180KC](#) [CR32NP-181KC](#) [CR32NP-1R5MC](#) [CR32NP-390KC](#) [CR32NP-3R9MC](#) [CR32NP-680KC](#) [CR32NP-820KC](#)

[CR32NP-8R2MC](#) [CR43NP-390KC](#) [CR43NP-560KC](#) [CR43NP-680KC](#) [CR54NP-181KC](#) [CR54NP-470LC](#) [CR54NP-820KC](#) [CR54NP-8R5MC](#)

[MGDQ4-00004-P](#) [MGDU1-00016-P](#) [MHL1ECTTP18NJ](#) [MHL1JCTTD12NJ](#) [PE-51506NL](#) [PE-53601NL](#) [PE-53630NL](#) [PE-53824SNLT](#) [PE-](#)

[62892NL](#) [PE-92100NL](#) [PG0434.801NLT](#) [PG0936.113NLT](#) [PM06-2N7](#) [PM06-39NJ](#) [HC2LP-R47-R](#) [HC2-R47-R](#) [HC3-2R2-R](#) [HC8-1R2-R](#)