

The FM series coils are made of nano-crystal.



### ◆ MAJOR USES

- Signal power line noise control
- DC power line noise control
- AC power line noise control
- Filter line
- Zero-phase reactor

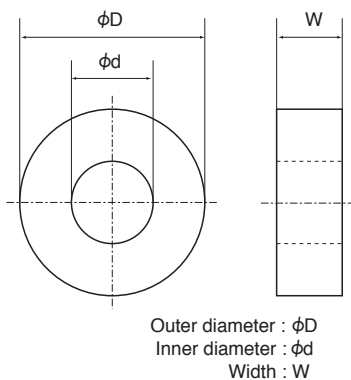
### ◆ FEATURES

- The high permeability core is made of nanocrystalline soft magnetic alloy
- High impedance in spite of a small number of turns
- Excellent temperature characteristics
- Conforming to insulating type B and incombustibility UL94V-0

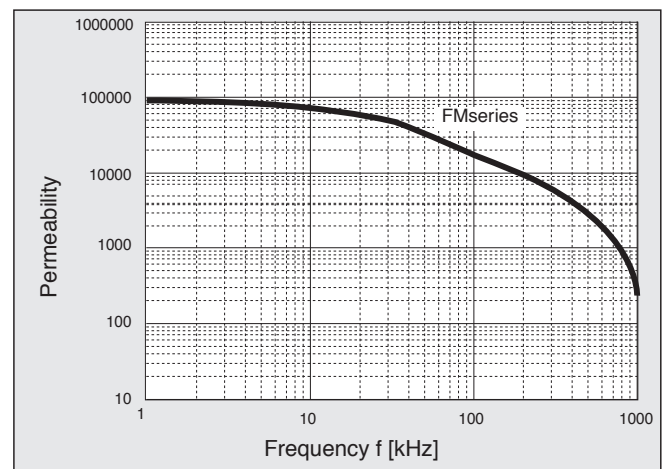
### ◆ CORE STANDARD SPECIFICATIONS

| Core Part No.<br>(Old Core Part No.) | Cross Sectional Area<br>cm <sup>2</sup> | Magnetic Path Length<br>cm | Weight<br>g | Outside Dimensions |          |         | Inductance Coefficient (AL Value)<br>[μH/100kHz at 0A] |
|--------------------------------------|---|----------------------------|-------------|--------------------|----------|---------|--|
|                                      |   |                            |             | φD<br>mm           | φd<br>mm | W<br>mm |  |
| LRF251515MK<br>(F251515MK)           | 0.63                                    | 6.40                       | 35          | 28.3               | 12.7     | 17.5    | 18.3   |
| LRF322015MK<br>(F322015MK)           | 0.73                                    | 8.17                       | 50          | 35.2               | 17.5     | 17.3    | 16.6   |
| LRF372315MK<br>(F372315MK)           | 0.85                                    | 9.42                       | 67          | 40.5               | 19.5     | 18.0    | 17.2   |
| LRF462715MK<br>(F462715MK)           | 1.15                                    | 11.50                      | 110         | 49.4               | 22.7     | 18.0    | 18.6   |
| LRF462725MK<br>(F462725MK)           | 1.92                                    | 11.50                      | 176         | 49.4               | 22.7     | 28.0    | 31.0   |
| LRF603525MK<br>(F603525MK)           | 2.53                                    | 14.90                      | 310         | 66.7               | 29.3     | 29.2    | 31.6   |
| LRF624520MK<br>(F624520MK)           | 1.36                                    | 16.80                      | 200         | 66.0               | 41.0     | 24.0    | 15.2   |

### ◆ DIMENSIONS OF CORE



### ◆ FREQUENCY - PERMEABILITY CHARACTERISTICS



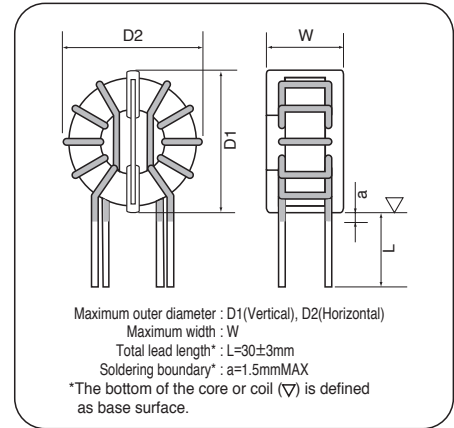
Standard type for single phase

### ◆ MAJOR USES

- Signal power line noise control
- DC power line noise control
- AC power line noise control

### ◆ FEATURES

- The high permeability core is made of nano-crystal
- High impedance in spite of a small number of turns
- Excellent temperature characteristics
- Conforming to insulating type B and incombustibility UL94V-0



### ◆ COIL STANDARD SPECIFICATIONS

| Coil Part No.<br>(Old Coil Part No.) | Rated Current<br>A | Inductance               |                          | D.C.R.<br>mΩ<br>(max) | Winding<br>mm φ × lines | Outside Dimensions |          |         |
|--------------------------------------|--------------------|--------------------------|--------------------------|-----------------------|-------------------------|--------------------|----------|---------|
|                                      |                    | 10kHz<br>(Typical)<br>mH | 100kHz<br>(Rating)<br>mH |                       |                         | D1<br>mm           | D2<br>mm | W<br>mm |
| LDFM001802MS-V0E<br>(FM01393MSPBF)   | 1                  | 28.0                     | 8.0                      | 200                   | 0.35 × 1P               | 15.0               | 16.0     | 11.9    |
| LDFM002302MS-V0E<br>(FM02173MSPBF)   | 2                  | 11.6                     | 3.0                      | 85                    | 0.45 × 1P               | 15.0               | 16.0     | 11.9    |
| LDFM003152MS-V0E<br>(FM03872MSPBF)   | 3                  | 5.6                      | 1.5                      | 45                    | 0.55 × 1P               | 15.0               | 16.0     | 11.9    |
| LDFM003552M5-V0E<br>(FM03552M5PBF)   | 3                  | 22.0                     | 5.5                      | 56                    | 0.7 × 1P                | 28.0               | 29.0     | 15.0    |
| LDFM003153M6-V0E<br>(FM03153M6PBF)   | 3                  | 60.0                     | 15.0                     | 82                    | 0.7 × 1P                | 29.0               | 30.5     | 20.5    |
| LDFM005132M5-V0E<br>(FM05132M5PBF)   | 5                  | 5.4                      | 1.3                      | 16                    | 1.0 × 1P                | 29.0               | 30.0     | 15.0    |
| LDFM005332M6-V0E<br>(FM05332M6PBF)   | 5                  | 13.0                     | 3.3                      | 21                    | 1.0 × 1P                | 29.0               | 30.5     | 20.0    |
| LDFM005302MT-V0E<br>(FM05302MTPBF)   | 5                  | 13.0                     | 3.0                      | 17                    | 1.1 × 1P                | 34.0               | 36.0     | 20.0    |
| LDFM005502MT-V0E<br>(FM05502MTPBF)   | 5                  | 23.0                     | 5.0                      | 23                    | 1.1 × 1P                | 34.5               | 36.5     | 20.5    |
| LDFM005103MR-V0E<br>(FM05103MRPBF)   | 5                  | 39.0                     | 10.0                     | 33                    | 1.1 × 1P                | 39.0               | 41.0     | 25.5    |
| LDFM008451M5-V0E<br>(FM08451M5PBF)   | 8                  | 1.8                      | 0.45                     | 6.5                   | 1.3 × 1P                | 29.5               | 31.0     | 15.0    |
| LDFM008102M6-V0E<br>(FM08102M6PBF)   | 8                  | 4.2                      | 1.0                      | 9                     | 1.3 × 1P                | 29.5               | 31.5     | 20.5    |
| LDFM010102MT-V0E<br>(FM10102MTPBF)   | 10                 | 5.8                      | 1.0                      | 8                     | 1.5 × 1P                | 34.0               | 38.0     | 22.0    |
| LDFM010302MT-V0E<br>(FM10302MTPBF)   | 10                 | 13.0                     | 3.0                      | 11                    | 1.4 × 1P                | 36.0               | 38.0     | 22.0    |
| LDFM010502MR-V0E<br>(FM10502MRPBF)   | 10                 | 24.0                     | 5.0                      | 15                    | 1.5 × 1P                | 40.0               | 43.0     | 27.0    |
| LDFM010103MJ-V0E<br>(FM10103MJPBF)   | 10                 | 46.5                     | 10.0                     | 20                    | 1.5 × 1P                | 46.5               | 47.5     | 27.5    |
| LDFM015102MT-V0E<br>(FM15102MTPBF)   | 15                 | 3.7                      | 1.0                      | 6                     | 1.6 × 1P                | 34.5               | 38.0     | 20.5    |
| LDFM015302MR-V0E<br>(FM15302MRPBF)   | 15                 | 15.0                     | 3.0                      | 10                    | 1.8 × 1P                | 40.0               | 42.5     | 29.0    |
| LDFM015502MJ-V0E<br>(FM15502MJPBF)   | 15                 | 24.8                     | 5.0                      | 11                    | 1.8 × 1P                | 47.0               | 49.0     | 28.0    |
| LDFM020102MR-V0E<br>(FM20102MRPBF)   | 20                 | 4.2                      | 1.0                      | 5                     | 1.5 × 2P                | 42.5               | 43.0     | 28.0    |
| LDFM020302MJ-V0E<br>(FM20302MJPBF)   | 20                 | 13.5                     | 3.0                      | 7                     | 1.5 × 2P                | 46.5               | 48.0     | 30.0    |
| LDFM025252MJ-V0E<br>(FM25252MJPBF)   | 25                 | 11.6                     | 2.5                      | 5                     | 1.6 × 2P                | 47.0               | 49.0     | 31.0    |
| LDFM030102MR-V0E<br>(FM30102MRPBF)   | 30                 | 4.2                      | 1.0                      | 5                     | 1.7 × 2P                | 39.5               | 44.0     | 29.5    |
| LDFM030202MJ-V0E<br>(FM30202MJPBF)   | 30                 | 9.9                      | 2.0                      | 6                     | 1.7 × 2P                | 47.0               | 48.5     | 31.0    |

There is a horizontal putting type in all items in the a  
"V" changes into "H" in last the third digit of the name of items.

High voltage type for single phase

### ◆ MAJOR USES

- Common mode coils for noise filter in inverter or large capacity power supply

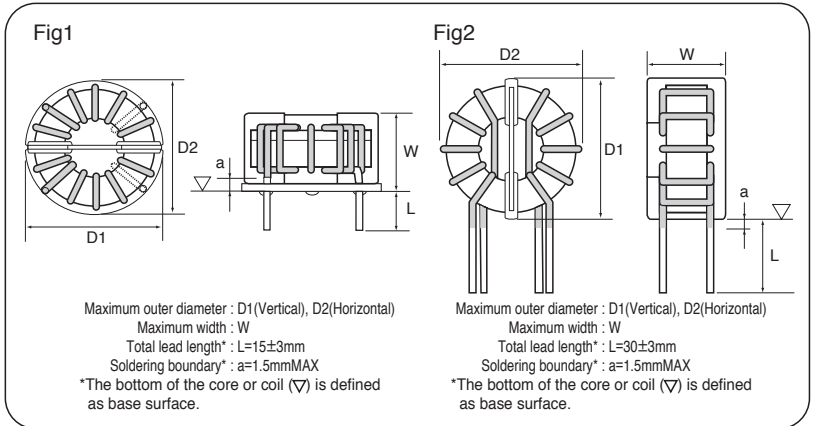
### ◆ FEATURES

- Applicable to input voltage (700V)
- Remarkably miniaturized in profile benefited by high permeability core
- High inductance in spite of a small number of turns
- Low temperature rise and low D.C. resistance
- Stable frequency performance of noise suppression in wide frequency range
- Excellent temperature characteristics

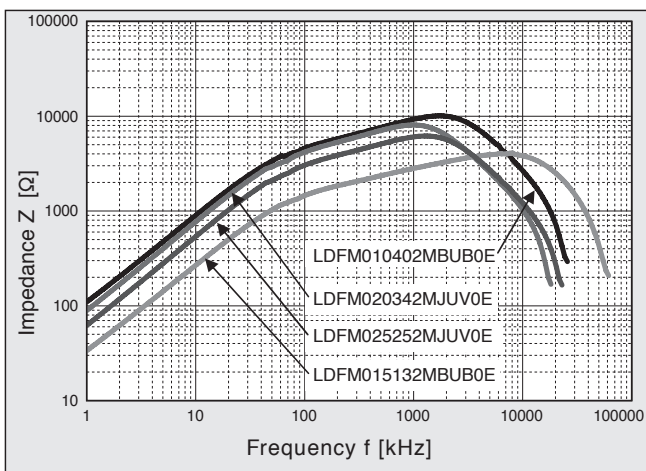
### ◆ COIL STANDARD SPECIFICATIONS

| Coil Part No.<br>(Old Coil Part No.) | Rated Current<br>A | Inductance    |              | D.C.R.<br>mΩ<br>(max) | Winding<br>mm φ × lines | Outside Dimensions |          |         |            |
|--------------------------------------|--------------------|---------------|--------------|-----------------------|-------------------------|--------------------|----------|---------|------------|
|                                      |                    | 10kHz         | 100kHz       |                       |                         | D1<br>mm           | D2<br>mm | W<br>mm | Dimensions |
|                                      |                    | Typical<br>mH | Rating<br>mH |                       |                         |                    |          |         |            |
| LDFM010402MBUB0E<br>(FM10402MBUBPBF) | 10                 | 16.0          | 4.0          | 12                    | 1.5 × 1P                | 42.0               | 42.0     | 32.0    | Fig1       |
| LDFM015132MBUB0E<br>(FM15132MBUBPBF) | 15                 | 5.1           | 1.3          | 6                     | 1.9 × 1P                | 42.0               | 42.0     | 32.5    | Fig1       |
| LDFM020342MJUV0E<br>(FM20342MJUPBF)  | 20                 | 13.5          | 3.4          | 8                     | 1.4 × 2P                | 49.0               | 49.0     | 31.0    | Fig2       |
| LDFM025252MJUV0E<br>(FM25252MJUPBF)  | 25                 | 9.9           | 2.5          | 6                     | 1.6 × 2P                | 50.0               | 50.0     | 32.0    | Fig2       |

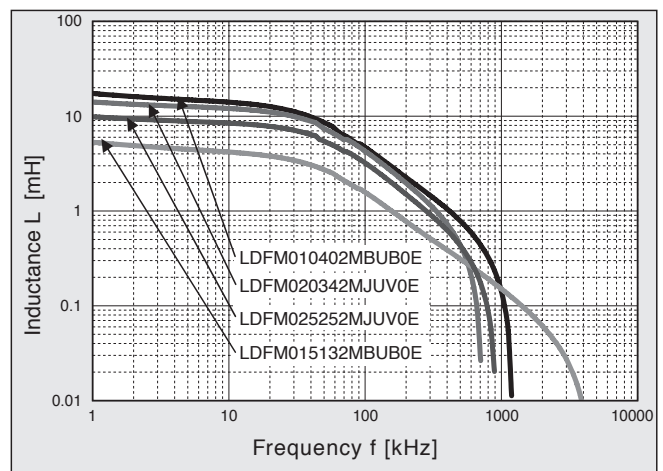
LDFM010402MBPB0E, LDFM015132MBPB0E listed in the above table are coils of lying type with pedestal.  
For LDFM020342MJUV0E, LDFM025252MJUV0E, lying type is also available. "V" changes into "H" in last the third digit of the name of items.



### ◆ FREQUENCY - IMPEDANCE CHARACTERISTICS



### ◆ FREQUENCY - INDUCTANCE CHARACTERISTICS



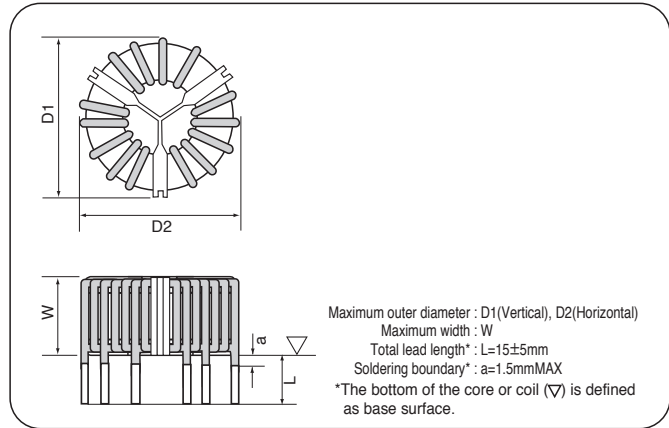
For three-phase circuit

### ◆ MAJOR USES

- Common mode coils for noise filter in inverter or large capacity power supply

### ◆ FEATURES

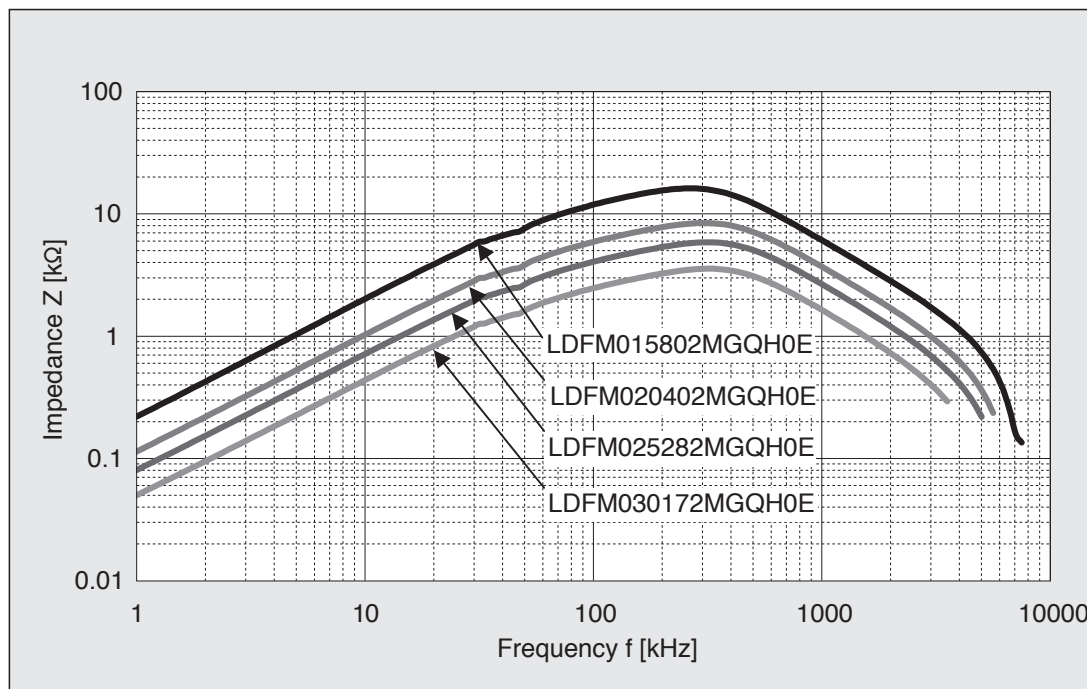
- Small profile, light through adoption of high permeability core
- High inductance in spite of a small number of turns
- Low temperature rise and, low D.C. resistance
- Stable frequency performance of noise suppression in wide frequency range
- Excellent temperature characteristics
- Conforming to insulating type B and incombustibility UL94V-0



### ◆ COIL STANDARD SPECIFICATIONS

| Coil Part No.<br>(Old Coil Part No.) | Rated Current<br>A | Inductance    |              | D.C.R.<br>mΩ<br>(max) | Winding<br>mm φ × lines | Outside Dimensions |          |         |
|--------------------------------------|--------------------|---------------|--------------|-----------------------|-------------------------|--------------------|----------|---------|
|                                      |                    | 10kHz         | 100kHz       |                       |                         | D1<br>mm           | D2<br>mm | W<br>mm |
|                                      |                    | Typical<br>mH | Rating<br>mH |                       |                         |                    |          |         |
| LDFM015802MGQH0E<br>(FM15802MGQPBF)  | 15                 | 30.0          | 8.0          | 15                    | 2.0 × 1P                | 65.0               | 65.0     | 35.0    |
| LDFM020402MGQH0E<br>(FM20402MGQPBF)  | 20                 | 16.0          | 4.0          | 6                     | 2.3 × 1P                | 65.0               | 65.0     | 35.0    |
| LDFM025282MGQH0E<br>(FM25282MGQPBF)  | 25                 | 10.0          | 2.8          | 5                     | 1.8 × 2P                | 65.0               | 65.0     | 35.0    |
| LDFM030172MGQH0E<br>(FM30172MGQPBF)  | 30                 | 7.0           | 1.7          | 4                     | 2.0 × 2P                | 65.0               | 65.0     | 35.0    |

### ◆ FREQUENCY - IMPEDANCE CHARACTERISTICS



## X-ON Electronics

Largest Supplier of Electrical and Electronic Components

*Click to view similar products for [Ferrite Cores & Accessories](#) category:*

*Click to view products by [United Chemicon](#) manufacturer:*

Other Similar products are found below :

[B65512C0000T001](#) [B65522B0000T001](#) [B65549E4X23](#) [B65615B0001X000](#) [B65659F0001X023](#) [B65659F0003X023](#) [B65659F4X23](#)  
[B65665C0004X000](#) [B65679E3X22](#) [B65705B0003X000](#) [B65804C2005X000](#) [B65812B3003X22](#) [B65814B2005X000](#) [B65840B1006D001](#)  
[B65840B1006D002](#) [B65878E0012D001](#) [B66206A2001X000](#) [B66206J1106T1](#) [B66208K1009T1](#) [B66252BM1](#) [B66288F2204X000](#)  
[B66306C1010T2](#) [B66341G0000X127](#) [B66390A1016T001](#) [B67348A1X27](#) [B65512C2001X000](#) [B65518D2001X000](#) [B65535B0003X000](#)  
[B65539C1003X1](#) [B65542A5000X](#) [B65655B0009X000](#) [B65687A1000T001](#) [B65714K1020T001](#) [B65734B1000T001](#) [B65734B1000T1](#)  
[B65804B6010T1](#) [B65814N1008D002](#) [B65816N1011D1](#) [B65820D2005X](#) [B65822F1008T001](#) [B65844W1010D001](#) [B65848D1010D1](#)  
[B65848S2000X](#) [B65884E0012D001](#) [B65887H4300X041](#) [B66202A2010X000](#) [B66202B1106T001](#) [B66206B1110T001](#) [B66208K1009T001](#)  
[B66208X1010T001](#)