

The FM series coils are made of nano-crystal.



### ◆ MAJOR USES

- Signal power line noise control
- DC power line noise control
- AC power line noise control
- Filter line
- Zero-phase reactor

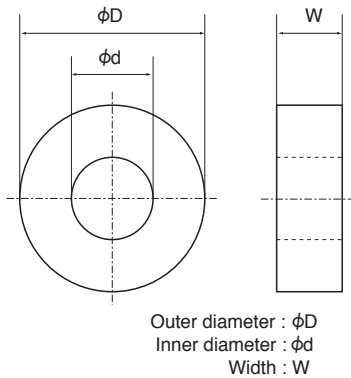
### ◆ FEATURES

- The high permeability core is made of nanocrystalline soft magnetic alloy
- High impedance in spite of a small number of turns
- Excellent temperature characteristics
- Conforming to insulating type B and incombustibility UL94V-0

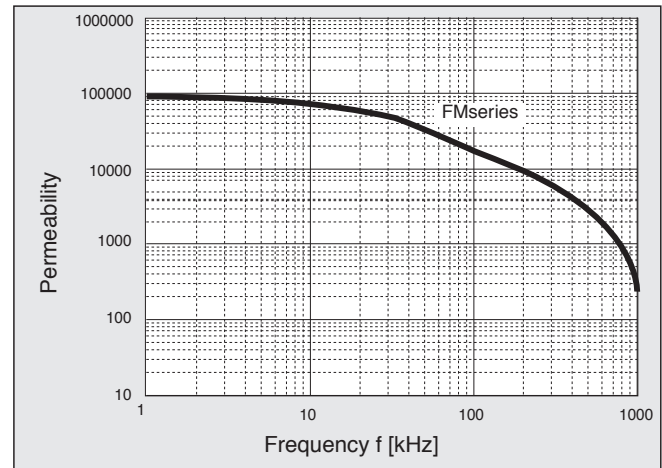
### ◆ CORE STANDARD SPECIFICATIONS

Core Part No. (Old Core Part No.)	Cross Sectional Area cm <sup>2</sup>	Magnetic Path Length cm	Weight g	Outside Dimensions			Inductance Coefficient (AL Value) [μH/100kHz at 0A]
				φD mm	φd mm	W mm	
LRF251515MK (F251515MK)	0.63	6.40	35	28.3	12.7	17.5	18.3
LRF322015MK (F322015MK)	0.73	8.17	50	35.2	17.5	17.3	16.6
LRF372315MK (F372315MK)	0.85	9.42	67	40.5	19.5	18.0	17.2
LRF462715MK (F462715MK)	1.15	11.50	110	49.4	22.7	18.0	18.6
LRF462725MK (F462725MK)	1.92	11.50	176	49.4	22.7	28.0	31.0
LRF603525MK (F603525MK)	2.53	14.90	310	66.7	29.3	29.2	31.6
LRF624520MK (F624520MK)	1.36	16.80	200	66.0	41.0	24.0	15.2

### ◆ DIMENSIONS OF CORE



### ◆ FREQUENCY - PERMEABILITY CHARACTERISTICS



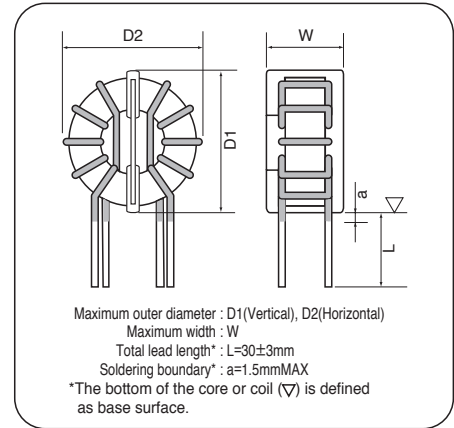
Standard type for single phase

### ◆ MAJOR USES

- Signal power line noise control
- DC power line noise control
- AC power line noise control

### ◆ FEATURES

- The high permeability core is made of nano-crystal
- High impedance in spite of a small number of turns
- Excellent temperature characteristics
- Conforming to insulating type B and incombustibility UL94V-0



### ◆ COIL STANDARD SPECIFICATIONS

Coil Part No. (Old Coil Part No.)	Rated Current A	Inductance		D.C.R. mΩ (max)	Winding mm φ × lines	Outside Dimensions		
		10kHz (Typical)	100kHz (Rating)			D1 mm	D2 mm	W mm
		mH	mH					
LDFM001802MS-V0E (FM01393MSPBF)	1	28.0	8.0	200	0.35 × 1P	15.0	16.0	11.9
LDFM002302MS-V0E (FM02173MSPBF)	2	11.6	3.0	85	0.45 × 1P	15.0	16.0	11.9
LDFM003152MS-V0E (FM03872MSPBF)	3	5.6	1.5	45	0.55 × 1P	15.0	16.0	11.9
LDFM003552M5-V0E (FM03552M5PBF)	3	22.0	5.5	56	0.7 × 1P	28.0	29.0	15.0
LDFM003153M6-V0E (FM03153M6PBF)	3	60.0	15.0	82	0.7 × 1P	29.0	30.5	20.5
LDFM005132M5-V0E (FM05132M5PBF)	5	5.4	1.3	16	1.0 × 1P	29.0	30.0	15.0
LDFM005332M6-V0E (FM05332M6PBF)	5	13.0	3.3	21	1.0 × 1P	29.0	30.5	20.0
LDFM005302MT-V0E (FM05302MTPBF)	5	13.0	3.0	17	1.1 × 1P	34.0	36.0	20.0
LDFM005502MT-V0E (FM05502MTPBF)	5	23.0	5.0	23	1.1 × 1P	34.5	36.5	20.5
LDFM005103MR-V0E (FM05103MRPBF)	5	39.0	10.0	33	1.1 × 1P	39.0	41.0	25.5
LDFM008451M5-V0E (FM08451M5PBF)	8	1.8	0.45	6.5	1.3 × 1P	29.5	31.0	15.0
LDFM008102M6-V0E (FM08102M6PBF)	8	4.2	1.0	9	1.3 × 1P	29.5	31.5	20.5
LDFM010102MT-V0E (FM10102MTPBF)	10	5.8	1.0	8	1.5 × 1P	34.0	38.0	22.0
LDFM010302MT-V0E (FM10302MTPBF)	10	13.0	3.0	11	1.4 × 1P	36.0	38.0	22.0
LDFM010502MR-V0E (FM10502MRPBF)	10	24.0	5.0	15	1.5 × 1P	40.0	43.0	27.0
LDFM010103MJ-V0E (FM10103MJPBF)	10	46.5	10.0	20	1.5 × 1P	46.5	47.5	27.5
LDFM015102MT-V0E (FM15102MTPBF)	15	3.7	1.0	6	1.6 × 1P	34.5	38.0	20.5
LDFM015302MR-V0E (FM15302MRPBF)	15	15.0	3.0	10	1.8 × 1P	40.0	42.5	29.0
LDFM015502MJ-V0E (FM15502MJPBF)	15	24.8	5.0	11	1.8 × 1P	47.0	49.0	28.0
LDFM020102MR-V0E (FM20102MRPBF)	20	4.2	1.0	5	1.5 × 2P	42.5	43.0	28.0
LDFM020302MJ-V0E (FM20302MJPBF)	20	13.5	3.0	7	1.5 × 2P	46.5	48.0	30.0
LDFM025252MJ-V0E (FM25252MJPBF)	25	11.6	2.5	5	1.6 × 2P	47.0	49.0	31.0
LDFM030102MR-V0E (FM30102MRPBF)	30	4.2	1.0	5	1.7 × 2P	39.5	44.0	29.5
LDFM030202MJ-V0E (FM30202MJPBF)	30	9.9	2.0	6	1.7 × 2P	47.0	48.5	31.0

There is a horizontal putting type in all items in the a  
"V" changes into "H" in last the third digit of the name of items.

High voltage type for single phase

### ◆ MAJOR USES

- Common mode coils for noise filter in inverter or large capacity power supply

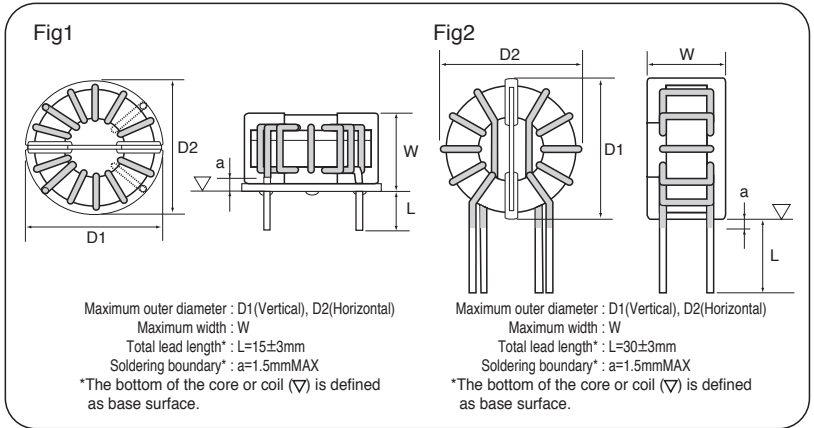
### ◆ FEATURES

- Applicable to input voltage (700V)
- Remarkably miniaturized in profile benefited by high permeability core
- High inductance in spite of a small number of turns
- Low temperature rise and low D.C. resistance
- Stable frequency performance of noise suppression in wide frequency range
- Excellent temperature characteristics

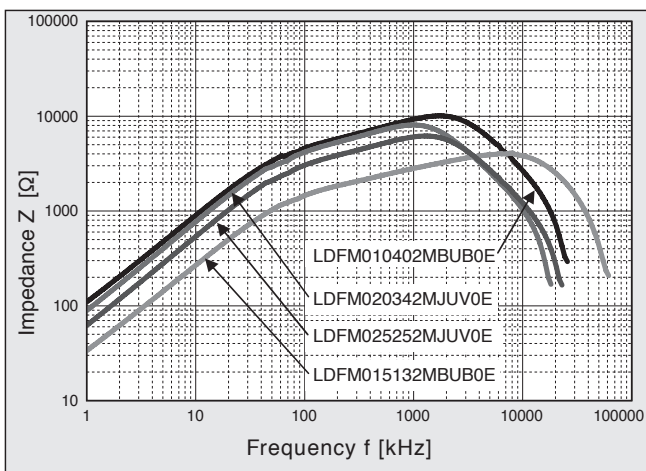
### ◆ COIL STANDARD SPECIFICATIONS

Coil Part No. (Old Coil Part No.)	Rated Current A	Inductance		D.C.R. mΩ (max)	Winding mm φ × lines	Outside Dimensions			
		10kHz	100kHz			D1 mm	D2 mm	W mm	Dimensions
		Typical mH	Rating mH						
LDFM010402MBUB0E (FM10402MBUBPBF)	10	16.0	4.0	12	1.5 × 1P	42.0	42.0	32.0	Fig1
LDFM015132MBUB0E (FM15132MBUBPBF)	15	5.1	1.3	6	1.9 × 1P	42.0	42.0	32.5	Fig1
LDFM020342MJUV0E (FM20342MJUPBF)	20	13.5	3.4	8	1.4 × 2P	49.0	49.0	31.0	Fig2
LDFM025252MJUV0E (FM25252MJUPBF)	25	9.9	2.5	6	1.6 × 2P	50.0	50.0	32.0	Fig2

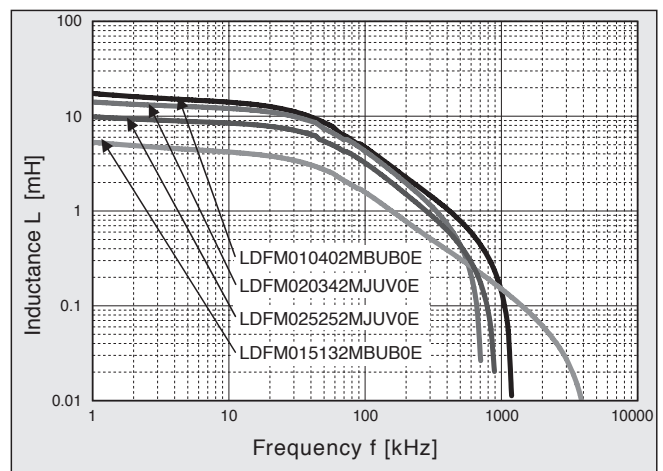
LDFM010402MBPB0E, LDFM015132MBPB0E listed in the above table are coils of lying type with pedestal.  
For LDFM020342MJPV0E, LDFM025252MJPV0E, lying type is also available. "V" changes into "H" in last the third digit of the name of items.



### ◆ FREQUENCY - IMPEDANCE CHARACTERISTICS



### ◆ FREQUENCY - INDUCTANCE CHARACTERISTICS



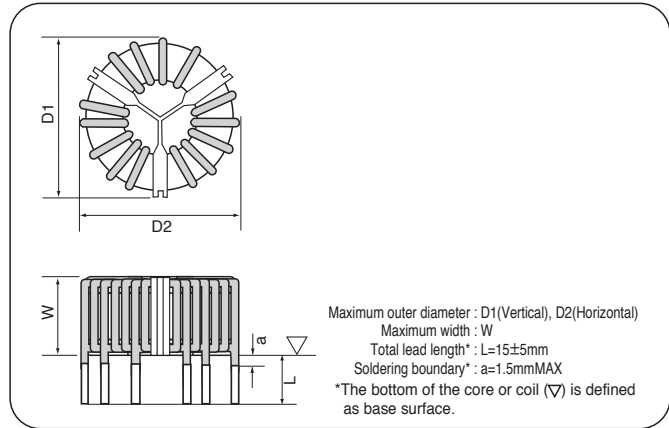
For three-phase circuit

### ◆ MAJOR USES

- Common mode coils for noise filter in inverter or large capacity power supply

### ◆ FEATURES

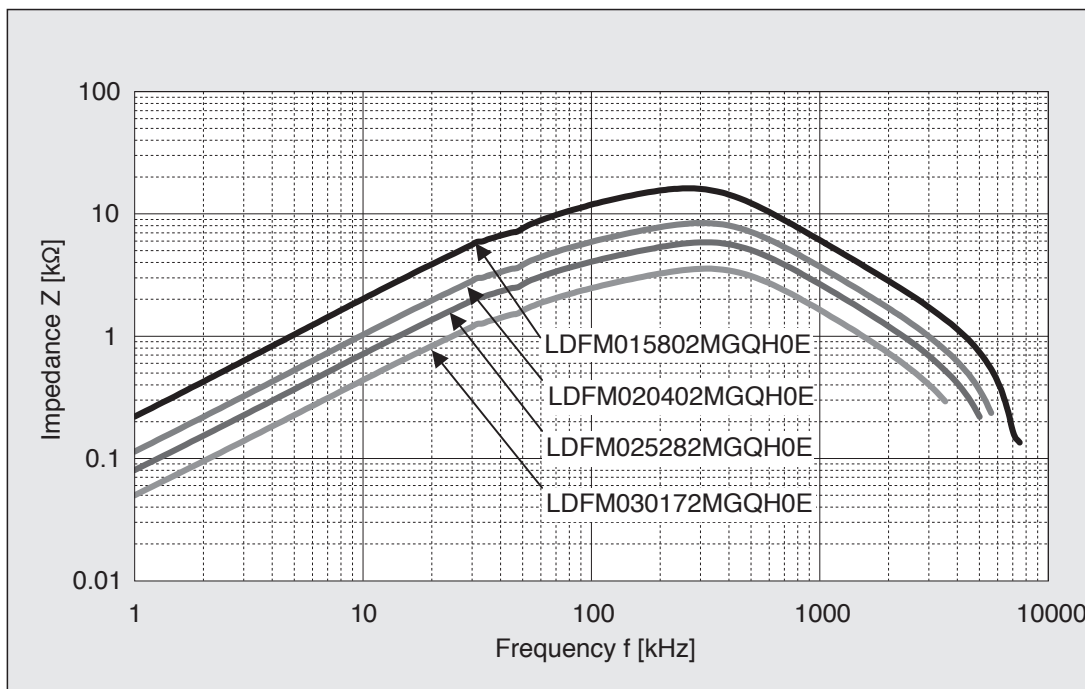
- Small profile, light through adoption of high permeability core
- High inductance in spite of a small number of turns
- Low temperature rise and, low D.C. resistance
- Stable frequency performance of noise suppression in wide frequency range
- Excellent temperature characteristics
- Conforming to insulating type B and incombustibility UL94V-0



### ◆ COIL STANDARD SPECIFICATIONS

Coil Part No. (Old Coil Part No.)	Rated Current A	Inductance		D.C.R. mΩ (max)	Winding mm φ × lines	Outside Dimensions		
		10kHz	100kHz			D1 mm	D2 mm	W mm
		Typical mH	Rating mH					
LDFM015802MGQH0E (FM15802MGQPBF)	15	30.0	8.0	15	2.0 × 1P	65.0	65.0	35.0
LDFM020402MGQH0E (FM20402MGQPBF)	20	16.0	4.0	6	2.3 × 1P	65.0	65.0	35.0
LDFM025282MGQH0E (FM25282MGQPBF)	25	10.0	2.8	5	1.8 × 2P	65.0	65.0	35.0
LDFM030172MGQH0E (FM30172MGQPBF)	30	7.0	1.7	4	2.0 × 2P	65.0	65.0	35.0

### ◆ FREQUENCY - IMPEDANCE CHARACTERISTICS



## X-ON Electronics

Largest Supplier of Electrical and Electronic Components

*Click to view similar products for [Ferrite Clamp On Cores](#) category:*

*Click to view products by [United Chemicon](#) manufacturer:*

Other Similar products are found below :

[CS28B0984](#) [CV28B1642](#) [RA33B4340](#) [AS20B2034](#) [IL25B0642K](#) [IL28B0642K](#) [SA28B0121](#) [SA33B4340](#) [SS33B2033](#) [FD33B2480](#)  
[FF33B2480](#) [CF28B1642](#) [RA33B2480](#) [CS28B0642](#) [CS33B0984](#) [TC28B0937](#) [TC33B0984](#) [432703037561](#) [USB28B2034](#) [432202209491](#)  
[4327 018 21641](#) [SA28B4340](#) [SE28B0121](#) [CF28B0642](#) [74271633](#) [74271733S](#) [SS33B2035](#) [TC28B2000](#) [431164281](#) [CF28B1937](#) [SS20B2037](#)  
[TC28B0617](#) [RC28B3012](#) [SS33B2032](#) [FF28B2480](#) [TC20B1500](#) [SS25B2032](#) [SS20B2034](#) [RC33B2480](#) [RA25B2480](#) [PM28B3375](#)  
[PM28B0686](#) [FA28B1265](#) [CV28B1984](#) [74271722S](#) [7427143](#) [RA20B1729](#) [CS33B4000](#) [TC33B0805](#) [SS33B2040](#)