

EVERLINE®

PW Drivers



Features and Benefits

- Wireless Programming through Near-Field Communication
- 0-10V Dimming with relative 1% dimming
- Configurable Dimming Curve
- Wide Output Voltage Range
- Class P / UL Listed
- Class 2 Output



The **EVERLINE®** PW family of drivers from Universal Lighting Technologies features wireless programming, dim to off and configurable dimming curves. The EVERLINE PW drivers are one of the most versatile family of drivers in the lighting industry.

EVERLINE® PW drivers are designed in four output power options and are available with a variety of standardized case configurations, to provide even more design flexibility for LED lighting. The EVERLINE PW drivers are a great choice for indoor lighting applications.

Industry-Leading Reliability

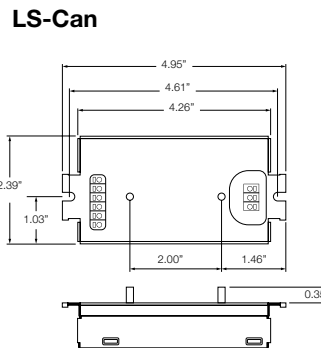
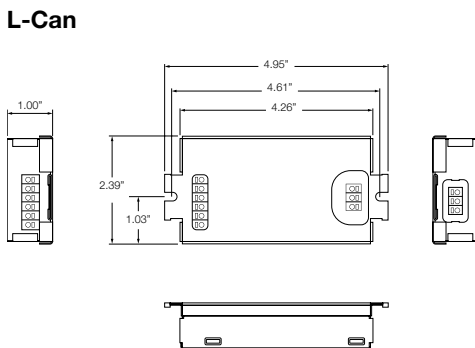
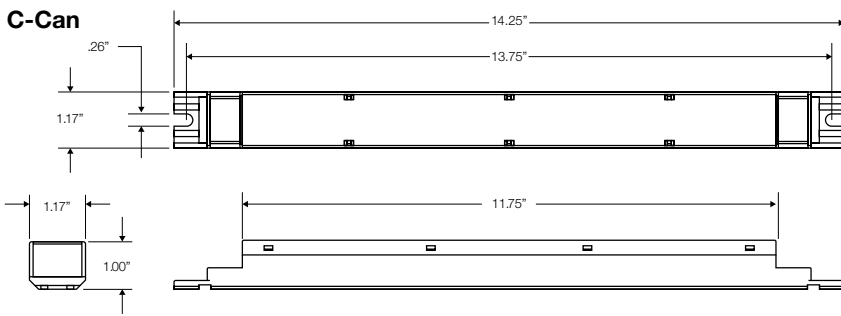
For 70 years, Universal has been on the cutting edge of high efficiency lighting design, pushing the industry towards increasingly higher standards of energy efficiency for LED systems, lighting ballasts, and control systems.

Full Featured Programming:

The EVERLINE PW drivers allow you to program your driver to fit your needs. This includes the output current, minimum dimming current, dim-to-off, dimming curve type and the dimming curve control voltage.

Familiarity:

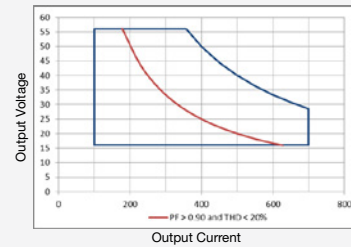
Available in the popular C can and L/LS can, making the PW drivers an easy design-in for new luminaires.



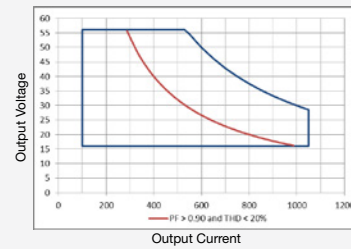
Driver Operating Range

The charts below show the allowable output voltage at the programmed output current. The red line shows the operating range with a Power Factor > 0.90 and Total Harmonic Distortion < 20%.

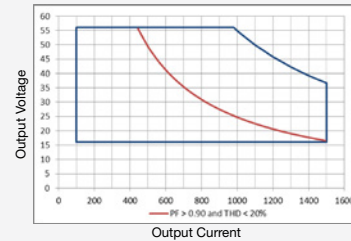
PW Series 20W



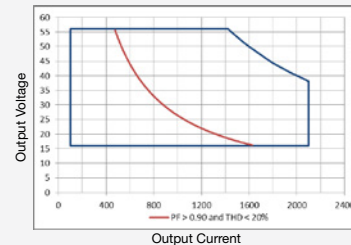
PW Series 30W



PW series 55W



PW Series 80W



Product Ordering Information:

Ordering Information		
Item Number	Catalog	Description
D700C20UNVPW-C010C	D700C20UNVPW-C	LED Programmable Driver 700 mA, 20W, UNV, 0-10V Dimming
D10CC30UNVPW-C010C	D10CC30UNVPW-C	LED Programmable Driver 1050 mA, 30W, UNV, 0-10V Dimming
D15CC55UNVPW-C010C	D15CC55UNVPW-C	LED Programmable Driver 1500 mA, 55W, UNV, 0-10V Dimming
D21CC80UNVPW-C010C	D21CC80UNVPW-C	LED Programmable Driver 2100 mA, 80W, UNV, 0-10V Dimming
D700C20UNVPW-L010C	D700C20UNVPW-L	LED Programmable Driver 700mA 20W, UNV, 0-10V Dimming, Multi-Exit
D700C20UNVPW-LS010C	D700C20UNVPW-LS	LED Programmable Driver 700mA 20W, UNV, 0-10V Dimming, Bottom Exit
D10CC30UNVPW-L010C	D10CC30UNVPW-L	LED Programmable Driver 1050mA 30W, UNV, 0-10V Dimming, Multi-Exit
D10CC30UNVPW-LS010C	D10CC30UNVPW-LS	LED Programmable Driver 1050mA 30W, UNV, 0-10V Dimming, Bottom Exit
D15CC55UNVPW-L010C	D15CC55UNVPW-L	LED Programmable Driver 1500mA 55W, UNV, 0-10V Dimming, Multi-Exit
D15CC55UNVPW-LS010C	D15CC55UNVPW-LS	LED Programmable Driver 1500mA 55W, UNV, 0-10V Dimming, Bottom Exit



It's **EASY**
to **REACH US...**

LIT#: PWAF041619

UNIVERSAL LIGHTING TECHNOLOGIES, INC.
51 Century Blvd., Suite 230
Nashville, TN 37214-3683

GENERAL INFO: **(615) 316-5100**

For Technical Engineering Services (TES),
application support and warranty information,
call **1-800-225-5278**

WEBSITE: **unvlt.com**
EMAIL: **webmaster@unvlt.com**

X-ON Electronics

Largest Supplier of Electrical and Electronic Components

Click to view similar products for [LED Power Supplies](#) category:

Click to view products by [Universal Lighting](#) manufacturer:

Other Similar products are found below :

[ESS015W-1000-12](#) [EUC-075S105DT](#) [PDA-WIFI](#) [PIFC-K250F](#) [PITB-K222A](#) [ALD-514012PJ134](#) [LB240S24KH](#) [LMH020-SPLC-0000-0000001](#) [79534](#) [79535](#) [EUG-200S210DT](#) [ESS030W-1050-21](#) [ESS030W-0900-32](#) [BPOXL 4-12-035](#) [SLM160W-3.9-40-ZA](#) [ESS010W-0180-42](#) [ESS010W-0350-24](#) [ESS010W-0200-42](#) [PDA080B-1A0G](#) [PDA150B-S1A5G](#) [ZPS-20](#) [SLM140W-1.05-130-ZA](#) [ESS040W-1400-27](#) [ESS015W-0700-18](#) [ESS010E-0250-42](#) [EVM120W-2700-42-ECN2](#) [EDC-100S105SV-0007](#) [79278](#) [EUD-150S350DVA](#) [LWA320-C420-ARK-B](#) [50304](#) [HVG-320-36AB](#) [HVG-320-54AB](#) [OT FIT 50/220-240/300 D L](#) [OT FIT 35/220-240/350 D CS L](#) [OT FIT 65/220-240/350 D CS L](#) [ELEMENT 30/220-240/700 S](#) [LC 75W 100-400MA 1-10V LP EXC](#) [LCA 35W 150-700MA ONE4ALL LP PRE](#) [LCA 50W 100-400MA ONE4ALL LP PRE](#) [LCA 50W 350-1050MA ONE4ALL LP PRE](#) [LCA 50W 350-1050MA 2XCH LP PRE](#) [LCI 150/325-1050/300 O4A SL PRE](#) [LCA 75W 100-400MA ONE4ALL LP PRE](#) [LCA 45W 500-1400MA ONE4ALL SC PRE](#) [LC 50W 100-400MA FLEXC LP EXC](#) [LCA 75W 350-1050MA ONE4ALL LP PRE](#) [LC 50W 350-1050MA FLEXC LP EXC](#) [LC 75W 350-1050MA FLEXC LP EXC](#) [LCA 75W 900-1800MA ONE4ALL LP PRE](#)