

8/7/6/5/4/3/2/1-Phase Synchronous-Rectified Buck Controller with SMBus Digital Interface

General Description

The uP9512 is an 8/7/6/5/4/3/2/1-phase PWM controller specifically designed to provide high-precision output voltage system for next generation GPUs. The uP9512 provides programmable output voltage and active voltage positioning functions to adjust the output voltage as a function of the load current, so it is optimally positioned for a load current transient.

The uP9512 supports NVIDIA Open Voltage Regulator type 4i+ with PWMVID feature. The PWMVID input is buffered and filtered to generate accurate reference voltage and the output voltage is precisely regulated to the reference input. The integrated SMBus interface provides user the flexibility to optimize the performance and efficiency.

The uP9512 supports Advanced DrMOS power module with current reporting function (DrMOS) application. The REFOUT provides an input reference voltage for DrMOS's REFIN pin. The uP9512 uses the current reporting signal of DrMOS for channel current balancing. The uP9512 also provides hardware setting to adjust the operating phase number in different load current state.

Other features include adjustable soft-start, channel current limit, under voltage protection, over voltage protection and power good output. The uP9512 is available in a VQFN5x5-40L package.

Ordering Information

Order Number	Package	Top Marking
uP9512PQGJ	VQFN5x5 - 40L	uP9512P

Note:

(1) Please check the sample/production availability with uPI representatives.

(2) uPI products are compatible with the current IPC/JEDEC J-STD-020 requirements. They are halogen-free, RoHS compliant and 100% matte tin (Sn) plating that are suitable for use in SnPb or Pb-free soldering processes.

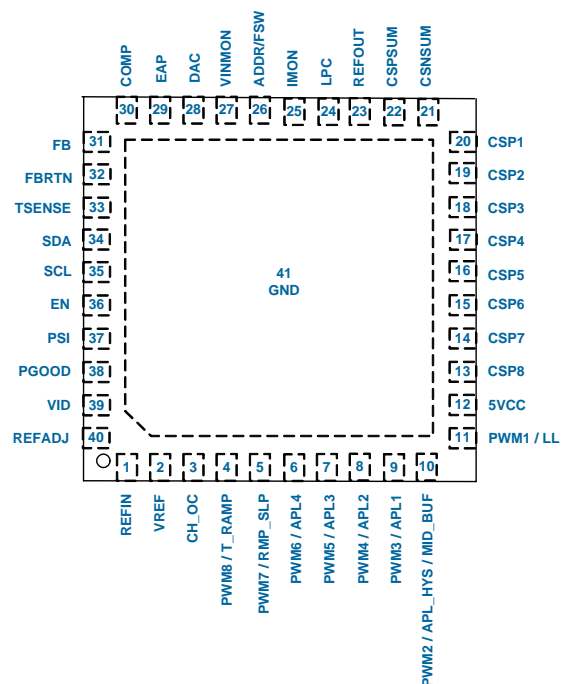
Applications

- Middle-High End GPU Core Power Supplies

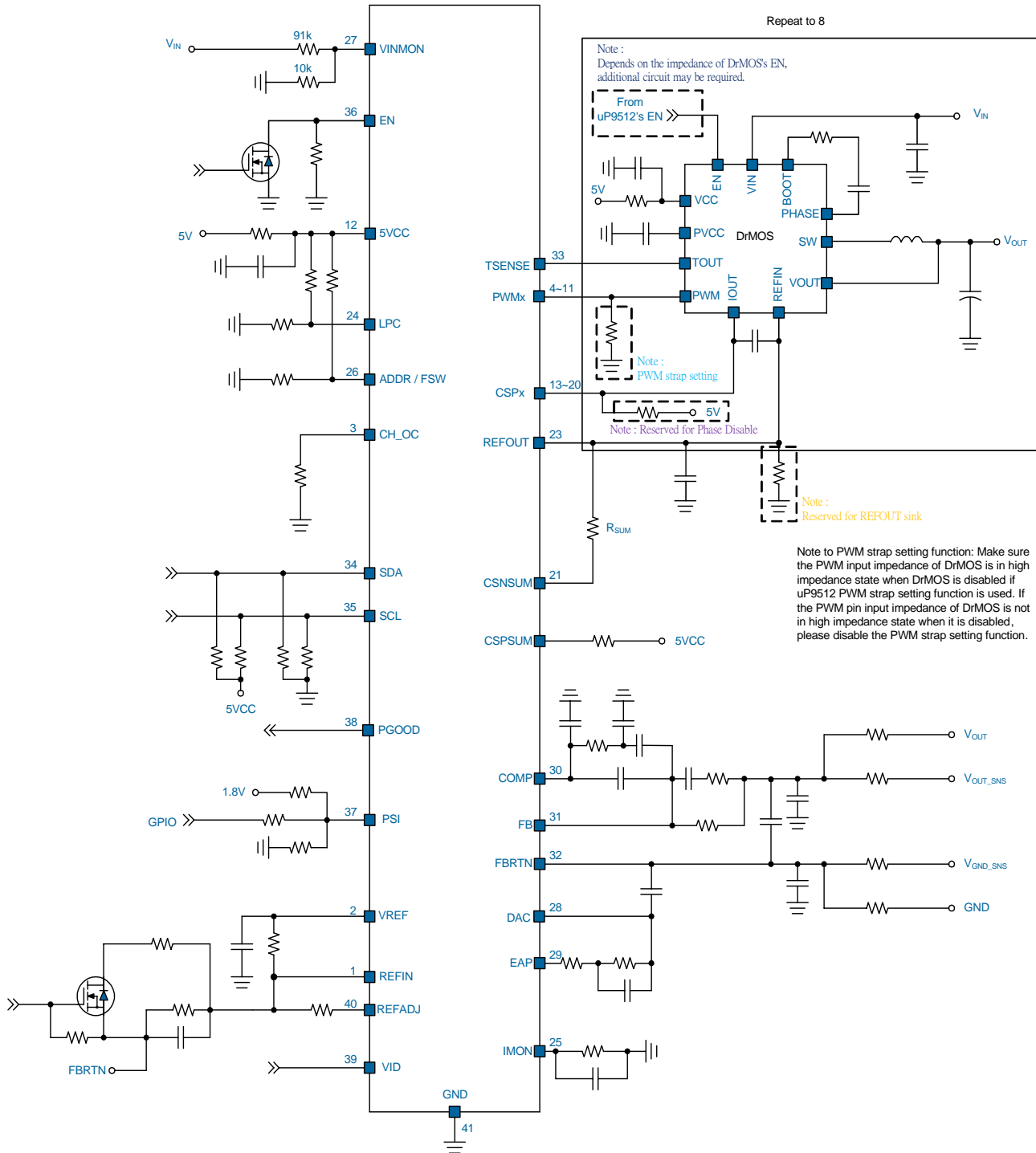
Features

- Support NVIDIA's Open VReg Type 4i+ PWMVID Technology
- SMBus Interface for Performance and Efficiency Optimization
 - Dynamic Programmable VR Parameters
 - Programmable Protection Thresholds
 - VR Output Reporting
- Selectable 8/7/6/5/4/3/2/1-Phase Operation by Hardware Setting
- Support up to 2MHz Operation Frequency
- REFOUT Reference Voltage for Advanced DrMOS Power Module with Current Reporting Function (DrMOS)
- Auto-Phase Shedding
- Adjustable Soft-Start Time
- Power State Input (PSI)
- Power Good Indication
- Channel Current Limit Protection
- Total Output Over Current Protection
- Over/Under Voltage Protection
- Over Temperature Protection
- RoHS Compliant and Halogen Free

Pin Configuration



Typical Application Circuit



Functional Pin Description

No.	Name	Pin Function
1	REFIN	Reference Input. Connect this pin to an external reference voltage through a resistor or connect to the output of the REFADJ circuit.
2	VREF	Reference Voltage. 2V LDO voltage output pin. Connect an at least 1 uF decoupling capacitor between this pin and GND.
3	CH_OC	Channel Current Limit. Connect a resistor from this pin to GND to set the per-channel current limit threshold.
4	PWM8/T_RAMP	Phase 8 PWM Output and Soft-Start Time. It outputs a PWM logic signal for external MOSFET driver and it is also used to set the soft-start time. Connect this pin to the PWM input of external MOSFET driver. Connect a resistor from this pin to GND to set the soft-start time. The resistor value should be greater than 15kΩ.
5	PWM7/RMP_SLP	Phase 7 PWM Output and RAMP Slope. It outputs a PWM logic signal for external MOSFET driver and it is also used to set the slope of internal RAMP signal. Connect this pin to the PWM input of external MOSFET driver. Connect a resistor from this pin to GND to set the RAMP slope. The resistor value should be greater than 15kΩ.
6	PWM6/APL4	Phase 6 PWM Output and Auto-Phase Shedding Threshold 4. It outputs a PWM logic signal for external MOSFET driver and it is also used to set the auto-phase shedding threshold 4. Connect this pin to the PWM input of external MOSFET driver. Connect a resistor from this pin to GND to set the auto-phase shedding threshold 4. The resistor value should be greater than 15kΩ.
7	PWM5/APL3	Phase 5 PWM Output and Auto-Phase Shedding Threshold 3. It outputs a PWM logic signal for external MOSFET driver and it is also used to set the auto-phase shedding threshold 3. Connect this pin to the PWM input of external MOSFET driver. Connect a resistor from this pin to GND to set the auto-phase shedding threshold 3. The resistor value should be greater than 15kΩ.
8	PWM4/APL2	Phase 4 PWM Output and Auto-Phase Shedding Threshold 2. It outputs a PWM logic signal for external MOSFET driver and it is also used to set the auto-phase shedding threshold 2. Connect this pin to the PWM input of external MOSFET driver. Connect a resistor from this pin to GND to set the auto-phase shedding threshold 2. The resistor value should be greater than 15kΩ.
9	PWM3/APL1	Phase 3 PWM Output and Auto-Phase Shedding Threshold 1. It outputs a PWM logic signal for external MOSFET driver and it is also used to set the auto-phase shedding threshold 1. Connect this pin to the PWM input of external MOSFET driver. Connect a resistor from this pin to GND to set the auto-phase shedding threshold 1. The resistor value should be greater than 15kΩ.
10	PWM2/APL_HYS/ MID_BUF	Phase 2 PWM Output, Hysteresis of Auto-Phase Shedding and PWM Middle State Mode Control. It outputs a PWM logic signal for external MOSFET driver and it is also used to set the hysteresis of auto-phase shedding and PWM middle state mode selection. Connect this pin to the PWM input of external MOSFET driver. Connect a resistor from this pin to GND to set the hysteresis of auto-phase shedding and selects the PWM middle state mode. The resistor value should be greater than 15kΩ.
11	PWM1/LL	Phase 1 PWM Output and Load Line. It outputs a PWM logic signal for external MOSFET driver and it is also used to program the DC load line enable threshold. Connect a resistor from this pin to GND to set the DC load line enable threshold. The resistor value should be greater than 15kΩ.

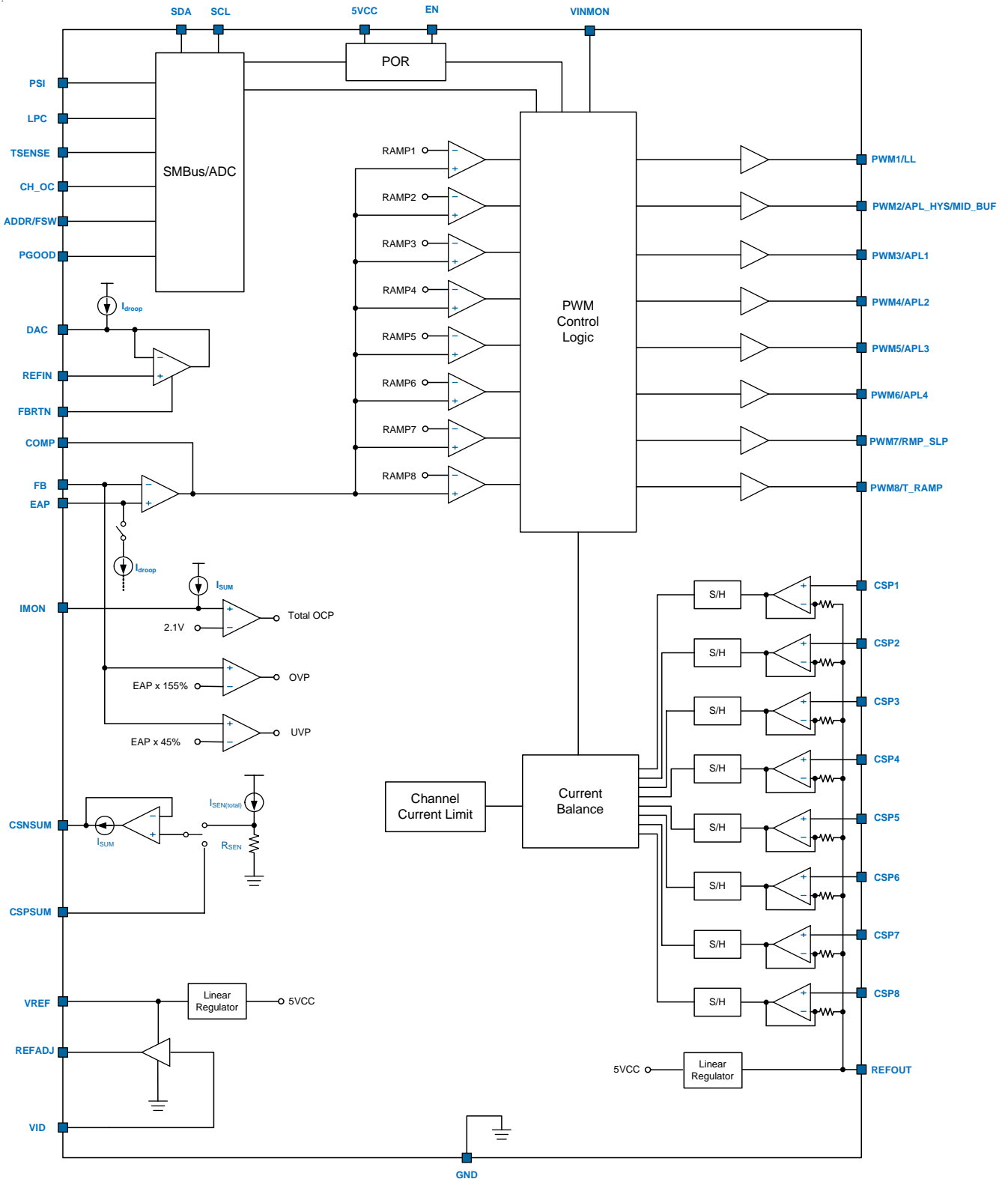
Functional Pin Description

No.	Name	Pin Function
12	5VCC	Supply Input for the IC. Connect this pin to a 5V voltage source with RC filter. Connect this pin to a 5V supply and decouple with a ceramic capacitor of 1uF minimum.
13	CSP8	CSP8. Connnet this pin to the current monitor output of DrMOS to sense phase8 output current. Keep the maximum differential voltage between CSP8 to REFOUT lower than 400mV.
14	CSP7	CSP7. Connnet this pin to the current monitor output of DrMOS to sense phase7 output current. Keep the maximum differential voltage between CSP7 to REFOUT lower than 400mV.
15	CSP6	CSP6. Connnet this pin to the current monitor output of DrMOS to sense phase6 output current. Keep the maximum differential voltage between CSP6 to REFOUT lower than 400mV
16	CSP5	CSP5. Connnet this pin to the current monitor output of DrMOS to sense phase5 output current. Keep the maximum differential voltage between CSP5 to REFOUT lower than 400mV.
17	CSP4	CSP4. Connnet this pin to the current monitor output of DrMOS to sense phase4 output current. Keep the maximum differential voltage between CSP4 to REFOUT lower than 400mV.
18	CSP3	CSP3. Connnet this pin to the current monitor output of DrMOS to sense phase3 output current. Keep the maximum differential voltage between CSP3 to REFOUT lower than 400mV.
19	CSP2	CSP2. Connnet this pin to the current monitor output of DrMOS to sense phase2 output current. Keep the maximum differential voltage between CSP2 to REFOUT lower than 400mV.
20	CSP1	CSP1. Connnet this pin to the current monitor output of DrMOS to sense phase1 output current. Keep the maximum differential voltage between CSP1 to REFOUT lower than 400mV.
21	CSNSUM	Inverting Input of Total Current Sense Amplifier.
22	CSPSUM	Non-Inverting Input of Total Current Sense Amplifier. Pull this pin up to 5VCC with 100kΩ for internal CSP1 ~ CSP8 current summing.
23	REFOUT	Reference Output Voltlage. This pin provides an reference voltage for DrMOS. Connect this pin to the REFIN pin of DrMOS. Depends on application, a resistor from this pin to GND is allowed to help to sink the current from DrMOS.
24	LPC	Low Phase Count. Connect a voltage divider from 5VCC to this pin to set the operation phase number of Warm Boot and Cold Boot. Do NOT connect any decoupling capacitor to this pin.
25	IMON	Output Current Monitor. The output current of this pin is proportional to the total load current. The total load current is sensed and flows out of this pin, and a resistor from this pin to GND makes the IMON voltage proportional to the total output current. The IMON voltage is monitored for total output over current protection. A capacitor can be connected from IMON to GND to adjust the response time of IMON.
26	ADDR/FSW	SMBus Device Address and Operation Frequency. Connect a voltage divider from 5VCC to this pin to select the SMBus device address and operation frequency. Do NOT connect any decoupling capacitor to this pin.

Functional Pin Description

No.	Name	Pin Function
27	VINMON	Power Stage Input Voltage Monitor. Connect this pin to the power stage input VIN with a voltage divider. The controller senses the voltage on this pin for power stage input voltage VIN detection. It is recommended to use resistor divider with 1/10 dividing ratio from VIN. For example, use 91kΩ/10kΩ resistor divider is a good practice.
28	DAC	DAC Output. The output voltage of this pin is the reference voltage.
29	EAP	Non-Inverting Input of the Error Amplifier. Connect a resistor between this pin and DAC pin to set the droop (load line) function.
30	COMP	Output of Control Loop Error Amplifier.
31	FB	Inverting Input of the Error Amplifier.
32	FBRTN	Output Voltage Feedback Return. Inverting input to the differential voltage sense amplifier. FBRTN is the reference point in DAC output voltage measurement. Connect this pin directly to the GPU output voltage feedback return sense point.
33	TSENSE	Temperature Monitoring Input. Connect this pin to the temperature reporting pin of DrMOS.
34	SDA	SMBus Data Input. This pin is input or output of serial bus data signal. If the SMBus is not available, this pin can be a hardware setting pin for single phase operation mode selection. Find the detail description in "SMBus (SCL & SDA)" section.
35	SCL	SMBus Clock Input. This pin receives serial bus clock signal input. If the SMBus is not available, this pin can be a hardware setting pin for single phase operation mode selection. Find the detail description in "SMBus (SCL & SDA)" section.
36	EN	Enable. Connect a 10kΩ resistor from this pin to ground to enable the PWM strap function and place this resistor close to the controller. To disable PWM strap function, use 24kΩ instead. Do NOT use resistance values other than the value specified here. Do NOT connect any capacitor directly to this pin. Refer to the typical application circuit, it is recommended to use a MOSFET with its drain connected to EN pin without a pull-up resistor for power sequence control. Do NOT connect EN pin directly to a voltage source for sequence control.
37	PSI	Power Saving Input. An input pin receiving power saving control signal from GPU.
38	PGOOD	Power Good Indication. Connect this pin to a voltage source with a pull-up resistor.
39	VID	VID. PWMVID input pin.
40	REFADJ	Reference Adjustment. PWMVID output pin. Connect this pin with an RC integrator to generate REFIN voltage.
Exposed Pad		Ground. The exposed pad is the ground of logic control circuits, it must be soldered to a large PCB and connected to GND.

Functional Block Diagram



Power On Reset (POR)

Figure 1 shows the power ready detection circuit. The 5VCC voltage is monitored for power on reset with typically 4.3V threshold at its rising edge. When 5VCC is ready, the controller waits for EN to start up. When EN pin is driven above 0.2V, the controller begins its start up sequence. When EN pin is driven below 0.1V, the controller will be turned off, and it will clear all fault states to prepare to next soft-start once the controller is re-enabled.

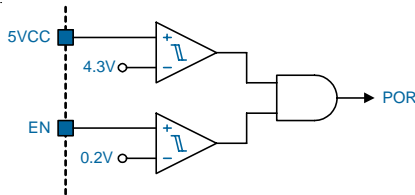


Figure 1. Circuit of Power Ready Detection

Power Input Monitor

VINMON is the power stage input voltage sense pin. Connect this pin to power stage input voltage (VIN) with a voltage divider and always keep VINMON as 1/10 of power stage input voltage. When VINMON less than typically 0.2V at POR, the uP9512 will force start up at single phase and disables the cold boot, warm boot, PSI and auto-phase function. Once this condition is triggered, it can only be reset by re-POR or EN restart.

Enable Control

The EN pin controls the enable and disable of this device. The resistor R_{EN} connected between EN pin to ground is used to implement this function. It is recommended to use a small MOSFET with its drain connected to EN pin without pull up resistor for power sequence control as shown in Figure 2. Precaution should be taken while implementing the power sequence circuit to EN pin. **Do NOT** use other resistance value other than values specified in the PWM Strap section and **do NOT** connect EN pin directly to a voltage source. **Do NOT** connect EN pin directly to any sequencing circuit of the system. Make sure the slew rate of the gate signal (EN#) of Q1 is fast and not affected by any additional circuit. When $V_{EN} < 0.1V$ and sustain 2us, the UVLO(Under Voltage Lock Out) event is triggered. Then, controller shuts down and reset all the hardware setting parameters.

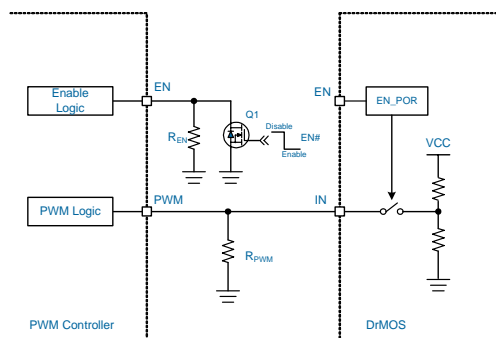


Figure 2. Enable Sequence Control

PWM Strap Function

The uP9512 implements PWM strap function that provides more functional programming in a limited pin out. The PWM strap function can be controlled by the R_{EN} resistor connected from EN pin to GND. Use $R_{EN}=10k\Omega$ to activate the PWM strap function and use $R_{EN}=24k\Omega$ for function disable. To ensure correct PWM strap function setting. The input impedance of PWM pin of companion DrMOS should be in high-impedance state during the initial setting period prior to soft-start (Figure 2). Otherwise all the function setting by PWM pins can only be done via SMBus interface.

Soft Start and Power Up Sequence

The uP9512 features a programmable soft start function to limit the surge current from power supply input. Controller starts the soft-start process right on $V_{EN} > 0.2V$ with typical 550us initialization time (T_{INIT}). The output voltage ramp up time (T_{RAMP}) during soft start period is determined by the resistor R_{PWM8} connected from PWM8 pin to GND. Table 1 shows the T_{RAMP} time and recommended R_{PWM8} resistance.

Table 1. T_{RAMP} Time and Recommended R_{PWM8}

R_{PWM8}	T_{RAMP}
39k Ω	160us
100k Ω	320us
150k Ω	1.28ms
unstuffed	640us

If R_{PWM8} resistor is unstuffed, the output voltage ramp up time during soft-start period is typical 640us. If there is no fault detected at the end of soft-start, the controller then asserts PGOOD when the output voltage reaches its target without delay. Figure 3 shows the power up sequence of the uP9512.

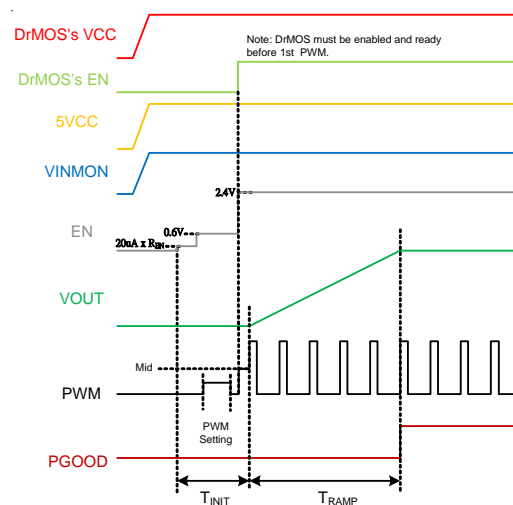


Figure 3 Power Up Sequence

Functional Description

PWMVID Function

The PWMVID signal from GPU is applied to the VID pin, which is the input pin of the internal buffer. This buffer plays the role of level shifting, and the output of this buffer is injected into the external RC integrator to generate REFIN voltage, which can be calculated as:

$$V_{REFIN} = V_{VREF} \times D \times \frac{R2 // (R3 + R4 + R5)}{R1 + R2 // (R3 + R4 + R5)} \times \frac{R4 + R5}{R3 + R4 + R5} + V_{VREF} \times \frac{R1 // (R3 + R4 + R5)}{R2 + R1 // (R3 + R4 + R5)} \times \frac{R4 + R5}{R3 + R4 + R5}$$

where V_{REFIN} is the DC voltage of REFIN, V_{VREF} is the voltage of VREF (typically 2V), and D is the duty cycle of PWMVID input. The VREF pin is an internal LDO, therefore an output decoupling capacitor is required. Recommend connecting at least a 1uF capacitor from VREF pin to local GND.

Boot Mode and Standby Mode

The PWMVID structure includes two operation modes: boot mode and standby mode. **During boot mode, controller ignores the PWMVID signal before PGOOD signal goes high and the REFADJ pin enters high impedance state.** The REFIN voltage during boot mode can be calculated as:

$$V_{REFIN,BOOT} = V_{VREF} \times \frac{R4 + R5}{R2 + R3 + R4 + R5}$$

During standby mode, other than GPU stopping the PWMVID transaction, an external system standby signal additionally controls the entry of standby mode. An additional external switch should be connected in parallel with the original PWMVID resistors as shown in Figure 4 to generate the standby mode voltage:

$$V_{REFIN,STDBY} = V_{VREF} \times \frac{(R3 + R4 + R5) // R_{STDBY}}{R2 + (R3 + R4 + R5) // R_{STDBY}} \times \frac{R4 + R5}{R3 + R4 + R5}$$

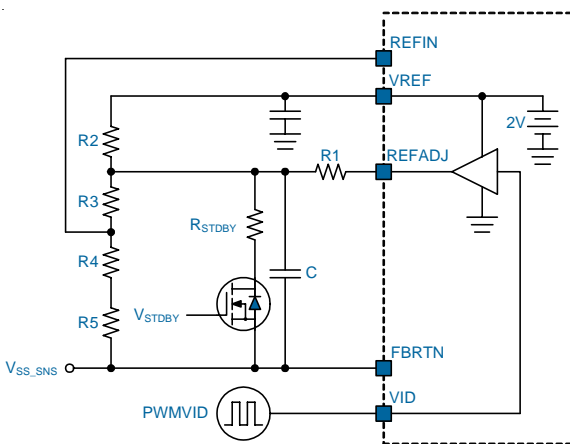


Figure 4. PWMVID Structure

Channel Current Balance

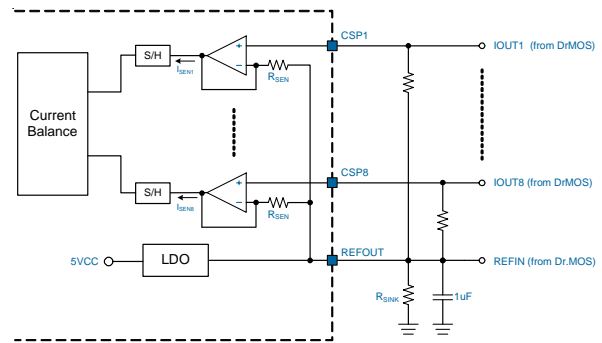


Figure 5. Current Balance Circuit

The uP9512 senses each phase current through CSPx pin for current balancing. The phase current signal is sampled and held when the low-side MOSFETs are turned on. The sensed current I_{SENx} can be determined by the following equation:

$$I_{SENx} = \frac{\Delta V_{CSPx}}{R_{SEN}}$$

Where I_{SENx} is the sampled and held phase current signal, ΔV_{CSPx} is the differential voltage between CSPx and REFOUT and the R_{SEN} is internal sense resistor which is typical 5kΩ. The sensed current I_{SENx} is mirrored to the current balance circuit, comparing between each other, and generating current adjusting signals for each phase. The current balance circuit increases the duty cycle of the phase whose phase current is smaller than others and decrease the duty cycle of the phase whose phase current is larger than others.

Total Load Current Sense

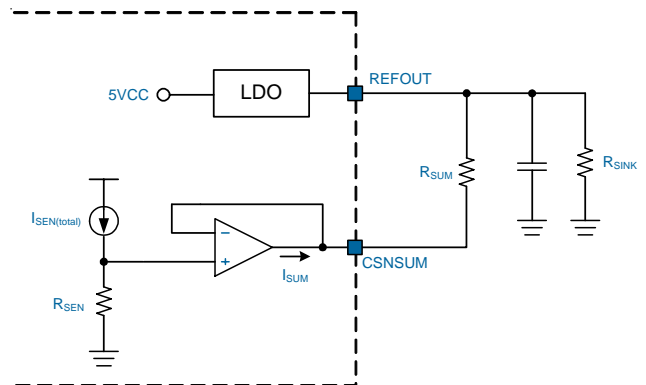


Figure 6. Total Load Current Sense

Functional Description

The uP9512 summed the I_{SENx} current of each phase and generates a voltage on the positive input of the current sense amplifier (CSA), therefore the voltage on the CSNSUM pin can be written as:

$$V_{CSNSUM} = I_{SEN(total)} \times \frac{R_{SEN}}{8}$$

$$I_{SEN(total)} = \sum_{x=1}^N \frac{V_{CSPx}}{R_{SEN}}$$

Where I_{SEN(total)} is the summed current of I_{SEN} of each phase, N represents the actual operating phase number. The R_{SUM} resistor connected between CSNSUM and REFOUT then generates the I_{SUM} current. The I_{SUM} current represents the total output current of the regulator, and it is directly used for droop function, total output current protection and auto-phase shedding function. The I_{SUM} current is calculated as follows.

$$I_{SUM} = \frac{(V_{CSNSUM} - V_{REFOUT})}{R_{SUM}}$$

DC Load Line

The uP9512 implements DC load line with programmable enable threshold for user to optimize load transient performance. When DC load line is activated, the DC output voltage decreases as the output DC current increases. The enable threshold of DC load line is set by a R_{PWM1} resistor connected from PWM1 pin to GND. An I_{LLTH} current is generated by a 2V voltage source and R_{PWM1} during T_{INIT} time, it is calculated as :

$$I_{LLTH} = \frac{2V}{R_{PWM1}}$$

If the I_{SUM} current is greater than I_{LLTH} current, controller then activates the DC load line function. The I_{LLTH} current must in the range of 10uA to 80uA (R_{PWM1} = 200kΩ to 25kΩ), out of the specified range should be avoided.

AC Load Line

The AC load line function is used to improve the load transient response. This function only takes effect in the load transient condition when the output voltage has instantaneous change due to transient load current. It does not affect the output DC voltage when the load current is in DC condition. Connect a 16kΩ resistor (or resistance range from 15kΩ to 18kΩ) from PWM1 to GND to enable the AC load line function. The response time of AC load line is typically 80us, and the voltage drop is generated by the R_{DROOP} resistor (see “Voltage Control Loop” section for details). The AC load line function & the response time can also be programmed via SMBus interface.

Voltage Control Loop

Figure 7 illustrates the voltage control loop of the uP9512. FB and EAP are negative and positive inputs of the error

amplifier respectively. The error amplifier modulates the COMP voltage (V_{COMP}) and the duty cycle of regulator to force V_{FB} follows V_{EAP}. The I_{DROOP} current is mirrored to the EAP pin and creates a voltage at EAP pin as:

$$V_{EAP} = V_{DAC} - I_{DROOP} \times R_{DROOP}$$

$$I_{DROOP} = I_{SUM} - I_{LLTH} \text{ (if DC load line is activated)}$$

$$I_{DROOP} = I_{SUM} \text{ (if AC load line is activated)}$$

Where V_{DAC} is output of V_{REFIN}, R_{DROOP} is an external resistor connected between DAC and EAP pins for adjusting load line slope and I_{DROOP} is a current source proportional to output current when the DC load line function is activated.

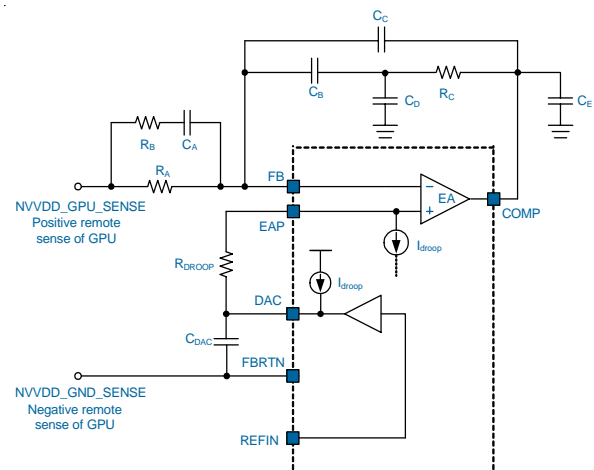


Figure 7. Voltage Control Loop

Output Voltage Differential Sense

The uP9512 uses differential sense by a high-gain low offset error amplifier for output voltage differential sense as shown in Figure 7. The GPU voltage is sensed by the FB and FBRTN pins. FB pin is connected to the positive remote sense pin NVVDD_GPU_SENSE of the GPU via the resistor R_{FB}. FBRTN pin is connected to the negative remote sense pin NVVDD_GND_SENSE of GPU directly.

Power Saving Mode

The uP9512 provides power saving features for platform designers to program platform specific power saving configuration. There are three operation modes: Full-Phase mode, Auto-Phase Shedding mode, and Low-Phase mode. The uP9512 switches between these three operation modes according to the input voltage level of the PSI pin. Figure 8 shows typical PSI application circuit, and Table 2 shows recommended PSI setting voltage level of the three operation modes. In low-phase mode, it can separate into Cold Boot Mode and Warm Boot Mode. The operation phase number of Cold Boot Mode and Warm Boot Mode is

Functional Description

determined by LPC pin. In auto-phase shedding mode, the operation phase number will auto increase/decrease according to output loading. In Full-Phase mode, the maximum phase number of operation is determined by checking the status of CPSx pins when POR.

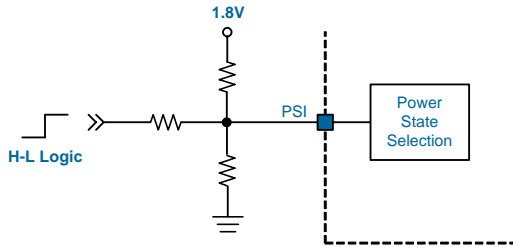


Figure 8. PSI Application Circuit

Table 2. Operation Mode and Recommended V_{PSI}

Operation Mode	Recommended Voltage Setting at PSI
Full-Phase CCM Mode	1.8V
Auto-Phase Shedding Mode	1V
Low-Phase Mode	GND

Auto-Phase Shedding

The uP9512 provides Auto-Phase Shedding function to reduce the switching and conduction losses at light load condition and enable high efficiency over a wide range of output current. Auto-Phase Shedding function is activated by two conditions:

1. PSI voltage stays at “Auto-Phase Shedding Mode”.
2. After PGOOD goes high, VID pin received the PWM-VID input signal from GPU.

Once the Auto-Phase Shedding function is activated, the uP9512 compares the V_{IMON} with APL1/APL2/APL3/APL4 threshold to decide the operation phase number dynamically. The APL1/APL2/APL3/APL4 threshold and the hysteresis can be programmed through SMBus interface. It also can be programmed by the resistor which is connected from PWM3~PWM6 pins to GND. The APL1 ~ APL4 threshold can be calculated as:

$$V_{APL1} = (10\mu A \times R_{PWM3}) / 4$$

$$V_{APL2} = (10\mu A \times R_{PWM4}) / 2$$

$$V_{APL3} = (10\mu A \times R_{PWM5})$$

$$V_{APL4} = (10\mu A \times R_{PWM6})$$

If $V_{IMON} < V_{APL1}$, uP9512 operates in single phase;

if $V_{APL1} < V_{IMON} < V_{APL2}$, uP9512 operates in dual phase;

if $V_{APL2} < V_{IMON} < V_{APL3}$, uP9512 operates in four phase;

if $V_{APL3} < V_{IMON} < V_{APL4}$, uP9512 operates in six phase;

if $V_{IMON} > V_{APL4}$, uP9512 operates in eight phase.

The uP9512 always keeps all-of-phase interleaved operation.

When setting the operating phase number of each current zone, always keep

$$\Phi_{APL1} < \Phi_{APL2} < \Phi_{APL3} < \Phi_{APL4}$$

Violating this rule, controller will be forced into full phase operation mode.

The hysteresis of APLx level and the PWM middle state mode can be programmed by a resistor connected from PWM2 pin to GND. When the PWM middle state is enabled, the uP9512 drives the PWM middle state voltage by itself. Otherwise, the PWM output of the controller is in high-impedance state, and then the PWM middle state voltage is determined by DrMOS. Table 3 lists the recommended R_{PWM2} value for APL hysteresis and the PWM middle state mode.

Table 3. APL Hysteresis and Recommended R_{PWM2} Value

Recommended R_{PWM2} (kΩ)	APL_Hys	PWM Middle State
15	140mV	Disable
24	120mV	
36	100mV	
56	80mV	
68	60mV	
82	40mV	
100	20mV	Enable
150	20mV	
169	40mV	
180	60mV	
200	80mV	
215	100mV	
232	120mV	
280	140mV	

Functional Description

Operation Frequency and SMBus Device Address

The uP9512 features a multi-function pin (ADDR/FSW) to provide 5 SMBus device address and 8 operation frequency selection. Connect ADDR/FSW pin to 5VCC with a resistor divider (Figure 9) to set the operation frequency and SMBus device address. Table 4 shows the recommended R_{UP} and R_{DW} resistance of the resistor divider.

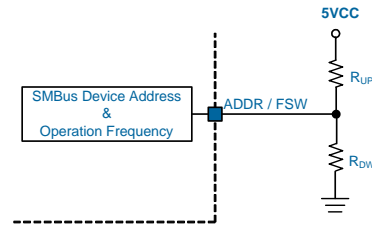


Figure 9. ADDR/FSW Pin Connection

Table 4. Operation Frequency and SMBus Device Address

$V_{ADDR/FSW} =$ % of 5VCC	Operation Frequency (Hz)	SMBus Device Address (Unit: kΩ)									
		0x48		0x4A		0x4C		0x4E		0x40	
		R_{UP}	R_{DW}	R_{UP}	R_{DW}	R_{UP}	R_{DW}	R_{UP}	R_{DW}	R_{UP}	R_{DW}
40.63%	200k	4.92	3.37	24.61	16.84	44.3	30.32	73.84	50.53	147.67	101.06
46.88%	300k	4.27	3.77	21.33	18.83	38.4	33.89	63.99	56.48	127.99	112.95
53.13%	400k	3.76	4.27	18.82	21.34	33.88	38.4	56.47	64.01	112.93	128.01
59.38%	500k	3.37	4.92	16.84	24.62	30.31	44.31	50.52	73.86	101.04	147.71
65.63%	600k	3.05	5.82	15.24	29.1	27.43	52.37	45.71	87.29	91.42	174.57
71.88%	1000k	2.78	7.11	13.91	35.56	25.04	64.01	41.74	106.69	83.47	213.37
78.13%	1500k	2.56	9.14	12.8	45.72	23.04	82.3	38.4	137.17	76.8	274.35
84.38%	2000k	2.37	12.8	11.85	64.02	21.33	115.24	35.55	192.06	71.11	384.12

Phase Number of Operation (Hardware Programming)

The uP9512 supports 8/7/6/5/4/3/2/1-phase operation. The maximum phase number of operation is determined by checking the status of CSPx pins when power on reset. Please follow Table 5 for the phase disable. The maximum phase number of operation is decided and latched at each POR rising edge. The unused PWMx pins can be left floating only if PWM strap function is disabled.

Table 5. Operation Phase Number Settings

Configuration	Pin Configuration, Pull High to Target							
	CSP8	CSP7	CSP6	CSP5	CSP4	CSP3	CSP2	CSP1
8-phase	--	--	--	--	--	--	--	--
7-phase	5VCC	--	--	--	--	--	--	--
6-phase	X	5VCC	--	--	--	--	--	--
5-phase	X	X	5VCC	--	--	--	--	--
4-phase	X	X	X	5VCC	--	--	--	--
3-phase	X	X	X	X	5VCC	--	--	--
2-phase	X	X	X	X	X	5VCC	--	--
1-phase	X	X	X	X	X	X	5VCC	--

Note 1: "--" denotes normal connection.

Note 2: "x" denotes floating.

Note 3: Use 100kΩ pull up resistor when pull up to 5VCC

Note 4: Strictly follow the table for phase disable. Incorrect pin pull up /down connection may cause catastrophic fault during start up.

Cold Boot and Warm Boot

The uP9512 features programmable operation phase number of Cold Boot Mode and Warm Boot Mode. When PSI=Low and uP9512 first boots up (first time of 5VCC and EN goes high), controller will enter to Cold Boot Mode. Exclude the first boot up condition, when PSI=Low state and controller power up by EN control, then uP9512 will enter to Warm Boot Mode. Connect LPC pin to 5VCC with a voltage divider (Figure 10) to set the operation phase number of Cold Boot Mode and Warm Boot Mode. Figure 11 shows all the power states of uP9512 under each combination of 5VCC/EN/ PSI/VID signal. Table 6 shows the recommended resistance of the voltage divider.

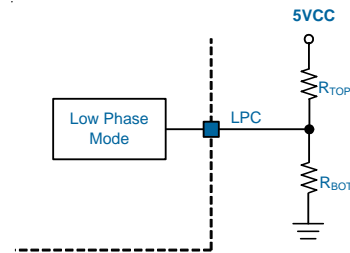


Figure 10. LPC Pin Connection

Table 6. Recommended Resistance of Cold Boot Mode and Warm Boot Mode

V _{LPC} = % of 5VCC	Cold Boot Phase Count	Warm Boot Phase Count (Unit: kΩ)									
		1-phase		2-phase		3-phase		4-phase		5-phase	
		R _{TOP}	R _{BOT}	R _{TOP}	R _{BOT}	R _{TOP}	R _{BOT}	R _{TOP}	R _{BOT}	R _{TOP}	R _{BOT}
40.63%	1-phase	4.92	3.37	24.61	16.84	44.3	30.32	73.84	50.53	147.67	101.06
46.88%	2-phase	4.27	3.77	21.33	18.83	38.4	33.89	63.99	56.48	127.99	112.95
53.13%	3-phase	3.76	4.27	18.82	21.34	33.88	38.4	56.47	64.01	112.93	128.01
59.38%	4-phase	3.37	4.92	16.84	24.62	30.31	44.31	50.52	73.86	101.04	147.71
65.63%	5-phase	3.05	5.82	15.24	29.1	27.43	52.37	45.71	87.29	91.42	174.57
71.88%	6-phase	2.78	7.11	13.91	35.56	25.04	64.01	41.74	106.69	83.47	213.37
78.13%	7-phase	2.56	9.14	12.8	45.72	23.04	82.3	38.4	137.17	76.8	274.35
84.38%	8-phase	2.37	12.8	11.85	64.02	21.33	115.24	35.55	192.06	71.11	384.12

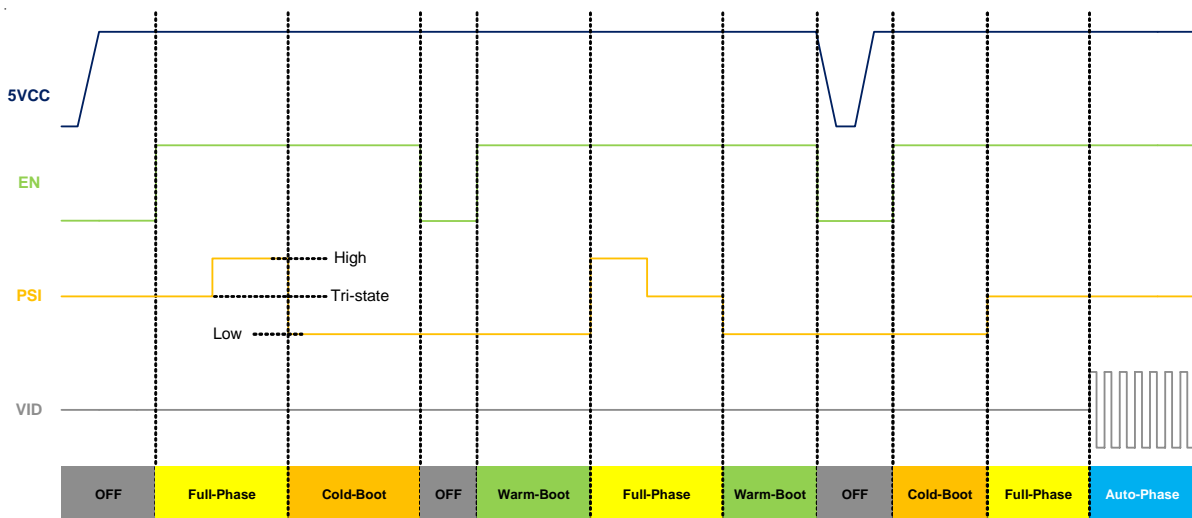


Figure 11. Power States of uP9512

Functional Description

Channel Current Limit (CH_OC)

The uP9512 adopts channel peak current limit function to avoid catastrophic damage to power stage components.

The uP9512 monitors the sensed current (in the form of voltage) from DrMOS. If the sensed voltage of any phase exceeds the channel current limit threshold, the channel current limit function activates. The resistor R_{CH_OC} connected between CH_OC pin and GND determines the channel current limit threshold. The channel current limit threshold can be calculated as:

$$I_{OUT(PEAK)} = \frac{R_{CH_OC} \times 20\mu A}{6 \times G_{CS}}$$

Where $I_{OUT(PEAK)}$ is the per-phase inductor peak current, R_{CH_OC} is the resistor connected between CH_OC pin and GND. The R_{CH_OC} must be at least 10kΩ. G_{CS} (mV/A) is the current sense gain of DrMOS. Once the per-phase current exceeds the setting threshold, the per-phase output inductor current is limited to an average current. A continuous over load event will cause the output voltage drop and eventually trigger under voltage protection and shuts down the uP9512.

Total Output Current Protection

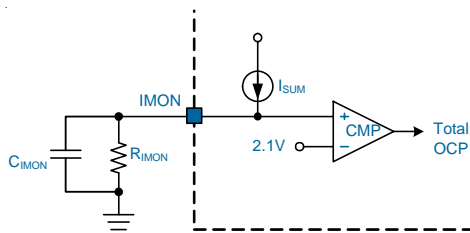


Figure 12. Total Output Current Protection

The uP9512 provides total OCP as shown in Figure 12. A resistor R_{IMON} is connected from IMON pin to GND. Adding a capacitor to the IMON pin can adjust the IMON response time. The sensed current I_{SUM} is mirrored internally and fed to IMON pin. This current flows through the resistor R_{IMON} creating voltage across it. As the total load current increases, the voltage on IMON pin (V_{IMON}) increases proportionally. When the IMON pin voltage is greater than 2.1V, the total OCP will be triggered. The total OCP level (2.1V) is usually designed for the voltage regulator that is operated in full phase condition by hardware setting. The actual operating phase number is controlled by the PSI signal or the SMBus Auto Phase setting. When the operating phase number is decreased, the total OCP level is decreased as well. The total OCP level is changed per actual operating phase number. Table 7 shows the relationship between total OCP ratio per actual operating phase number and the hardware configuration.

Once the total OCP is triggered. The uP9512 will turn off both high-side and low-side MOSFETs of all channels. The total OCP function is a latch-off function and only EN restart or 5VCC re-POR can release the latch.

Table 7. Total OCP and Operating Phase Number

Total Output OCP Ratio		Operating Condition							
		8-phase	7-phase	6-phase	5-phase	4-phase	3-phase	2-phase	1-phase
Hardware Configuration	8-phase	1	7/8	3/4	5/8	1/2	3/8	5/16	2/8
	7-phase	--	1	7/8	3/4	5/8	1/2	3/8	5/16
	6-phase	--	--	1	3/4	5/8	1/2	3/8	5/16
	5-phase	--	--	--	1	3/4	5/8	1/2	3/8
	4-phase	--	--	--	--	1	3/4	1/2	3/8
	3-phase	--	--	--	--	--	1	3/4	1/2
	2-phase	--	--	--	--	--	--	1	3/4
	1-phase	--	--	--	--	--	--	--	1

Functional Description

Ramp Slope Setting

The ramp slope of the oscillator for PWM modulation can be adjusted and is determined by the resistor $R_{P_{PWM7}}$. The setting for ramp slope and recommended $R_{P_{PWM7}}$ resistance is shown in the table below.

$R_{P_{PWM7}}$	Ramp Slope
39k Ω	50%
100k Ω	75%
150k Ω	100%
unstuffed	125%

Thermal Protection (TSENSE)

The uP9512 features a TSENSE pin to monitor the thermal condition of regulator. For multiple phases application, ties all the DrMOS's TMON together and connects it to uP9512's TSENSE pin directly. The controller senses the voltage (V_{TSENSE}) on TSENSE pin(which from DrMOS's TMON) then converts and stores the information in the SMBus register 0x25h(VR_SHDN) with a 8mV/LSB resolution. As regulator temperature rises, the V_{TSENSE} increases. Therefore the controller detects the V_{TSENSE} to obtain regulator thermal information. The controller shuts down when V_{TSENSE} is higher than 2.032V(FEh). To disable the thermal protection function, set the SMBus register 0x25h value to 2.04V(FFh).

Over Voltage Protection (OVP)

The OVP is triggered if $V_{FB} > 1.5 \times V_{EAP}$ sustained 5us. When OVP is activated, the uP9512 turns on all low-side MOSFETs and turns off all high-side MOSFETs. The over voltage protection is a latch-off function and can only be reset by 5VCC re-POR or EN restart.

Under Voltage Protection (UVP)

The under voltage protection is triggered if $V_{FB} < 0.5 \times V_{EAP}$ sustained 5us. When UVP is activated, the uP9512 turns off all high-side and low-side MOSFETs. The under voltage protection is a latch-off function and can only be reset by 5VCC re-POR or EN restart.

Over Temperature Protection (OTP)

The uP9512 monitors the temperature of itself. If the temperature exceeds typical 160°C, the uP9512 is forced into shutdown mode. The over temperature protection is a latch-off function and can only be reset by 5VCC re-POR or EN restart.

SMBus (SCL & SDA)

The uP9512 features an SMBus interface to allow user to adjust various operating parameters. The supported operating parameters that can be adjusted through the SMBus are summarized as Table 8. The main function is to dynamically change the offset voltage, switching

frequency, operating phase number, and load line according to the total load current. This function is referred to Auto Phase, and it provides user the maximal flexibility in the platform design to maximize voltage regulator's efficiency and performance as well. The SMBus interface default is locked, it can be "read only" before it is unlocked. Writes 94h value in the register 0x39h to unlock the SMBus and writes 87h value to lock the SMBus interface. The SMBus provides one time lock/unlock mechanism. Once it is unlocked and locked, it cannot be unlocked again. It can only be reset by 5VCC re-cycle.

If the SMBus interface is not available in the platform design, the SDA and SCL pins can also be the hardware programming pins to program the operation mode when controller is working in single phase operation. The uP9512 detects the state of SCL and SDA pins right on power on reset (POR) to recognize whether the SMBus is used or SCL and SDA becomes hardware programming pins. If SCL pin is "high" when POR, it becomes SMBus programming pins and the controller latched at CCM operation mode when controller is working in single-phase operation. If the SCL pin is "low" when POR, it becomes hardware programming pins and the controller latched at DCM mode when controller is working in single phase operation. Then, the SDA pin is used to program the PWM output behavior of DCM operation mode as the following table.

SCL	SDA	Single Phase Operation Mode
0	0	Controller Controlled ZCD
0	1	DrMOS Controlled ZCD
1	x	Forced CCM Mode

"0": Denotes the voltage is lower than 1V
 "1": Denotes the voltage is higher than 1.2V
 "x": Don't care

When SCL=0 and SDA=0, the zero current detection (ZCD) is controlled by controller uP9512. When the zero inductor current is detected, the controller sets the PWM output from low to high impedance state or sets PWM output to middle state level (depends on PWM2 setting) and turns off the low side MOSFET, then the controller runs in discontinuous conduction mode (DCM).

When SCL=0 and SDA=1, the zero current detection is controlled by DrMOS itself. The uP9512 sets the PWM output from high to middle state level after a effective PWM duty cycle. When the companion DrMOS receives the PWM middle voltage from controller uP9512, the DrMOS decides the discontinuous conduction mode (DCM) or continuous conduction mode (CCM) by itself according to output loading.

Functional Description

APL1, APL2, APL3, APL4 : (Reg0x01 ~ Reg0x04)

Define the thresholds for five load current states (LCS0, LCS1, LCS2, LCS3 and LCS4). The controller compares the APL1, APL2, APL3 and APL4 content with V_{IMON} voltage to determine which load current state should be entered and executes the corresponding operating parameter settings (frequency, offset, operating phase number and load line).

LCS0 : $V_{IMON} > APL4$, highest load current state.

LCS1 : $APL4 > V_{IMON} > APL3$

LCS2 : $APL3 > V_{IMON} > APL2$

LCS3 : $APL2 > V_{IMON} > APL1$

LCS4 : $APL1 > V_{IMON}$, lowest load current state.

APL_Hys1, APL_Hys2, APL_Hys3, APL_Hys4 : (Reg0x05~Reg0x06)

Define the hysteresis voltage of APL1, APL2, APL3 and APL4. 8-bits content setting with 20mV/step

IICP0, IICP1, IICP2, IICP3, IICP4 : (Reg0x07 ~ Reg0x09)

Define the operating phase number in each load current state. The operating phase number can be full-phase to single phase.

VOFS0, VOFS1, VOFS2, VOFS3, VOFS4: (Reg0x0A~Reg0x0C)

Define the offset voltage in each load current state. 4-bits content setting with 10mV/step.

IICF0, IICF1, IICF2, IICF3, IICF4 : (Reg0x0D ~ Reg0x0F)

Define the switching frequency in each load current state. The switching frequency is defined as the ratio to current operation frequency setting.

Current Balance Gain Adjustment : (Reg0x12 ~ Reg0x19)

The uP9512 provides the current balance gain adjustment for user to optimize the performance in the system application. The current balance gain adjustment is defined as the ratio to default setting.

Current Balance Offset Adjustment : (Reg0x1A ~ Reg0x1D)

uP9512 features the current balance offset adjustment for user to optimize the performance in the system application. 3-bits content setting with 0.4uA/step.

Channel Current Limit (CH_OC) : (Reg0x22)

For per-channel current limit threshold adjustment. 8-bits content setting with 10mV/step.

Total OCP : (Reg0x23)

For total output current protection level adjustment. 8-bits content setting with 10mV/step. The total output current protection adjustment is defined as the ratio to default setting.

T_OCP/UV/OV : (Reg0x24)

T_OCP programs the delay time of total OCP. UV/OV is used for the threshold adjustment of UVP and OVP respectively.

VR_SHDN : (Reg0x25)

Thermal shut down threshold adjustment, 8-bits content setting with 8mV/step. Once the voltage on TSENSE pin exceeds the voltage set in VR_SHDN register, then uP9512 is forced in shut down mode.

GCOMP : (Reg0x26)

For OTA transconductance setting for voltage control loop. It is defined as the ratio to the default value of 1960uA/V.

SL_RAMP: (Reg0x3A)

The slope adjustment of the RAMP signal. It is defined as the ratio to the default setting.

IOUT : (Reg0x2C)

This register reports total output current that is converted by internal ADC with 10mV/step.

VOUT : (Reg0x2D)

This register reports total output voltage that is converted by internal ADC with 10mV/step.

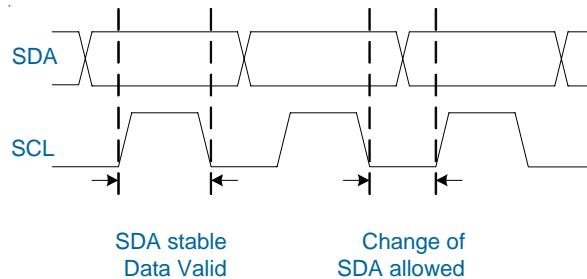
TEMP : (Reg0x2E)

This register reports highest temperature of DrMOS that is converted by internal ADC with 8mV/step.

Functional Description

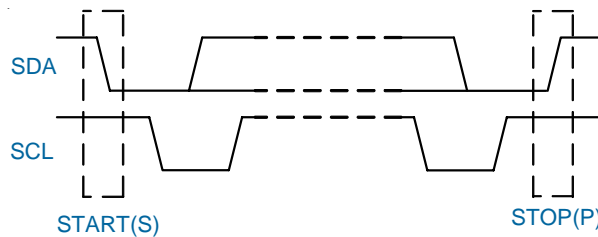
Data Validity

The data on the SDA line must be stable during the HIGH period of the SCL, unless generating a START or STOP condition. The HIGH or LOW state of the data line can only change when the clock signal on the SCL line is LOW. Refer to the figure below.



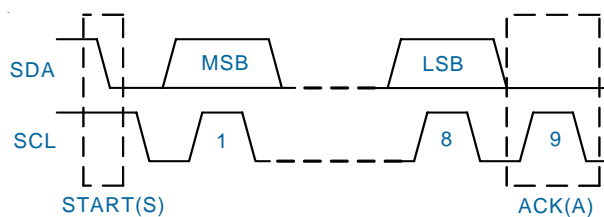
START and STOP Conditions

A START (S) condition is a HIGH to LOW transition of SDA while SCL is HIGH. The STOP (P) condition is a LOW to HIGH transition of SDA while SCL is HIGH. A STOP condition must be sent before each START condition.



Acknowledge

Each address and data transmission uses 9 clock pulses. The ninth pulse is the acknowledge bit (A). After the start condition, the master sends 7 slave address bits and a R/W bit during the next 8 clock pulses. During the ninth clock pulse, the device that recognizes its own address pulls SDA low to acknowledge. The acknowledge bit is also used by both the master and the slave to acknowledge receipt of register addresses and data.



Read and Write Protocol

Write to a Single Register

S	slave_addr+W	AS	reg_addr	AS	reg_data	AS	P
---	--------------	----	----------	----	----------	----	---

Read from a Single Register

S	slave_addr+W	AS	reg_addr	AS	S	slave_addr+R	AS	reg_data	NA	P
---	--------------	----	----------	----	---	--------------	----	----------	----	---

S = START, P = STOP, AS = ACK from slave, AM = ACK from master, NA = No ACK

Table 8. SMBus Configuration Register

Register Address	Register Name	Access	Default	Description
0x01	APL1[7:0]	R/W	00h	Set Auto Phase Shedding Threshold 1. 0V ~ 630mV. (10mV / step) $V_{IMON} < V_{APL1} \Rightarrow LCS4$ (lowest load current state)
0x02	APL2[7:0]	R/W	00h	Set Auto Phase Shedding Threshold 2. 0V ~ 1.27V. (10mV / step) $V_{APL1} < V_{IMON} < V_{APL2} \Rightarrow LCS3$
0x03	APL3[7:0]	R/W	00h	Set Auto Phase Shedding Threshold 3. 0V ~ 2.55V. (10mV / step) $V_{APL2} < V_{IMON} < V_{APL3} \Rightarrow LCS2$
0x04	APL4[7:0]	R/W	00h	Set Auto Phase Shedding Threshold 4. 0V ~ 2.55V. (10mV / step) $V_{APL3} < V_{IMON} < V_{APL4} \Rightarrow LCS1$ $V_{IMON} > V_{APL4} \Rightarrow LCS0$ (highest load current state)
0x05	PWM_Mid[7] APL_Hys1[6:4] APL_Hys2[2:0]	R/W	55h	Bit[3]: Don't care. PWM_Mid[7] : Controller driving PWM middle state voltage "0" : Disable (default) "1" : Enable APL_Hys1[6:4] : Hysteresis of APL1 threshold. 0mV ~ 140mV. (20mV / step) APL_Hys2[2:0] : Hysteresis of APL2 threshold. 0mV ~ 140mV. (20mV / step)
0x06	APL_Hys3[6:4] APL_Hys4[2:0]	R/W	55h	Bit[7] & Bit[3] : Don't care. APL_Hys3[6:4] : Hysteresis of APL3 threshold. 0mV ~ 140mV. (20mV / step) APL_Hys4[2:0] : Hysteresis of APL4 threshold. 0mV ~ 140mV. (20mV / step)
0x07	IICP0[6:4] IICP1[2:0]	R/W	75h	Bit[7] & Bit[3] : Don't care. IICP0[6:4] : Operation phase number of LCS0. Default = 8-phase IICP1[2:0] : Operation phase number of LCS1. Default = 6-phase 000 : 1 phase ; 001 : 2 phase ; 010 : 3 phase ; 011 : 4 phase 100 : 5 phase ; 101 : 6 phase ; 110 : 7 phase ; 111 : 8 phase
0x08	IICP2[6:4] IICP3[2:0]	R/W	31h	Bit[7] & Bit[3] : Don't care. IICP2[6:4] : Operation phase number of LCS2. Default = 4-phase IICP3[2:0] : Operation phase number of LCS3. Default = 2-phase 000 : 1 phase ; 001 : 2 phase ; 010 : 3 phase ; 011 : 4 phase 100 : 5 phase ; 101 : 6 phase ; 110 : 7 phase ; 111 : 8 phase
0x09	IICP4[6:4]	R/W	00h	Bit[7] & Bit[3:0] : Don't care. IICP4[6:4] : Operation phase number of LCS4. Default = 1-phase 000 : 1 phase ; 001 : 2 phase ; 010 : 3 phase ; 011 : 4 phase 100 : 5 phase ; 101 : 6 phase ; 110 : 7 phase ; 111 : 8 phase
0x0A	IICV0[7:4] IICV1[3:0]	R/W	00h	IICV0[7:4] : Voltage offset of LCS0. 0mV ~ 150mV(10mV / step). Default = 0mV IICV1[3:0] : Voltage offset of LCS1. 0mV ~ 150mV(10mV / step). Default = 0mV

Functional Description

Register Address	Register Name	Access	Default	Description
0x0B	IICV2[7:4] IICV3[3:0]	R/W	00h	IICV2[7:4] : Voltage offset of LCS2. 0mV ~ 150mV(10mV / step). Default = 0mV IICV3[3:0] : Voltage offset of LCS3. 0mV ~ 150mV(10mV / step). Default = 0mV
0x0C	IICV4[7:4]	R/W	00h	Bit[3:0]: Don't care. IICV4[7:4] : Voltage offset of LCS4. 0mV ~ 150mV(10mV / step). Default = 0mV
0x0D	IICF0[7:4] IICF1[3:0]	R/W	88h	IICF0[7:4] : Operation frequency of LCS0. IICF1[3:0] : Operation frequency of LCS1. 0000 : 60% ; 0001 : 65% ; 0010 : 70% ; 0011 : 75% ; 0100 : 80% ; 0101 : 85% ; 0110 : 90% ; 0111 : 95% ; 1000 : 100% (default) ; 1001 : 125% ; 1010 : 150% ; 1011 : 175% ; 1100 : 200% ; 1101 : 225% ; 1110 : 250% ; 1111 : 275%
0x0E	IICF2[7:4] IICF3[3:0]	R/W	88h	IICF2[7:4] : Operation frequency of LCS2. IICF3[3:0] : Operation frequency of LCS3. 0000 : 60% ; 0001 : 65% ; 0010 : 70% ; 0011 : 75% ; 0100 : 80% ; 0101 : 85% ; 0110 : 90% ; 0111 : 95% ; 1000 : 100% (default) ; 1001 : 125% ; 1010 : 150% ; 1011 : 175% ; 1100 : 200% ; 1101 : 225% ; 1110 : 250% ; 1111 : 275%
0x0F	IICF4[7:4] IICLL0[2:0]	R/W	84h	Bit [3]: Don't care. IICF4[7:4] : Operation frequency of LCS4. 0000 : 60% ; 0001 : 65% ; 0010 : 70% ; 0011 : 75% ; 0100 : 80% ; 0101 : 85% ; 0110 : 90% ; 0111 : 95% ; 1000 : 100% (default) ; 1001 : 125% ; 1010 : 150% ; 1011 : 175% ; 1100 : 200% ; 1101 : 225% ; 1110 : 250% ; 1111 : 275% IICLL0[2:0] : Load line setting of LCS0. 000 : 0% ; 001 : 25% ; 010 : 50% ; 011 : 75% ; 100 : 100%(default) ; 101 : 125% ; 110 : 150% ; 111 : 175%
0x10	IICLL1[6:4] IICLL2[2:0]	R/W	44h	Bit[7] & Bit[3] : Don't care. IICLL1[6:4] : Load line setting of LCS1. IICLL2[2:0] : Load line setting of LCS2. 000 : 0% ; 001 : 25% ; 010 : 50% ; 011 : 75% ; 100 : 100%(default) ; 101 : 125% ; 110 : 150% ; 111 : 175%
0x11	IICLL3[6:4] IICLL4[2:0]	R/W	44h	Bit[7] & Bit[3] : Don't care. IICLL3[6:4] : Load line setting of LCS3. IICLL4[2:0] : Load line setting of LCS4. 000 : 0% ; 001 : 25% ; 010 : 50% ; 011 : 75% ; 100 : 100%(default) ; 101 : 125% ; 110 : 150% ; 111 : 175%
0x12	CB_EN[7] PH8_IGAIN[6:2]	R/W	BCh	Bit[1:0]: Don't care. CB_EN[7] : On/Off control of current balance function, default = ON. "0" = OFF (current balance function is disabled) "1" = ON (current balance function is enabled) PH8_IGAIN[6:2] : PHASE8 current balance gain adjustment. PH8_IGAIN = 243.75% - Bit[6:2] x 6.25%, default = 150%.
0x13	PH7_IGAIN[6:2]	R/W	3Ch	Bit[7] & Bit[1:0]: Don't care. PH7_IGAIN[6:2] : PHASE7 current balance gain adjustment. PH7_IGAIN = 243.75% - Bit[6:2] x 6.25%, default = 150%.
0x14	PH6_IGAIN[6:2]	R/W	3Ch	Bit[7] & Bit[1:0]: Don't care. PH6_IGAIN[6:2] : PHASE6 current balance gain adjustment. PH6_IGAIN = 243.75% - Bit[6:2] x 6.25%, default = 150%.

Functional Description

Register Address	Register Name	Access	Default	Description
0x15	PH5_GAIN[6:2]	R/W	3Ch	Bit[7] & Bit[1:0]: Don't care. PH5_GAIN[6:2] : PHASE5 current balance gain adjustment. PH5_GAIN = 243.75% - Bit[6:2] x 6.25%, default = 150%.
0x16	PH4_GAIN[6:2]	R/W	3Ch	Bit[7] & Bit[1:0]: Don't care. PH4_GAIN[6:2] : PHASE4 current balance gain adjustment. PH4_GAIN = 243.75% - Bit[6:2] x 6.25%, default = 150%.
0x17	PH3_GAIN[6:2]	R/W	3Ch	Bit[7] & Bit[1:0]: Don't care. PH3_GAIN[6:2] : PHASE3 current balance gain adjustment. PH3_GAIN = 243.75% - Bit[6:2] x 6.25%, default = 150%.
0x18	PH2_GAIN[6:2]	R/W	3Ch	Bit[7] & Bit[1:0]: Don't care. PH2_GAIN[6:2] : PHASE2 current balance gain adjustment. PH2_GAIN = 243.75% - Bit[6:2] x 6.25%, default = 150%.
0x19	PH1_GAIN[6:2]	R/W	3Ch	Bit[7] & Bit[1:0]: Don't care. PH1_GAIN[6:2] : PHASE1 current balance gain adjustment. PH1_GAIN = 243.75% - Bit[6:2] x 6.25%, default = 150%.
0x1A	PH8_IOS[6:4] PH7_IOS[2:0]	R/W	00h	Bit[7] & Bit[3] : Don't care. PH8_IOS[6:4] : PHASE8 current balance offset adjustment, default = 0uA. PH7_IOS[2:0] : PHASE7 current balance offset adjustment, default = 0uA. 000 : 0uA ; 001 : 0.4uA ; 010 : 0.8uA ; 011 : 1.2uA ; 100 : 1.6uA ; 101 : 2.0uA ; 110 : 2.4uA ; 111 : 2.8uA
0x1B	PH6_IOS[6:4] PH5_IOS[2:0]	R/W	00h	Bit[7] & Bit[3] : Don't care. PH6_IOS[6:4] : PHASE6 current balance offset adjustment, default = 0uA. PH5_IOS[2:0] : PHASE5 current balance offset adjustment, default = 0uA. 000 : 0uA ; 001 : 0.4uA ; 010 : 0.8uA ; 011 : 1.2uA ; 100 : 1.6uA ; 101 : 2.0uA ; 110 : 2.4uA ; 111 : 2.8uA
0x1C	PH4_IOS[6:4] PH3_IOS[2:0]	R/W	00h	Bit[7] & Bit[3] : Don't care. PH4_IOS[6:4] : PHASE4 current balance offset adjustment, default = 0uA. PH3_IOS[2:0] : PHASE3 current balance offset adjustment, default = 0uA. 000 : 0uA ; 001 : 0.4uA ; 010 : 0.8uA ; 011 : 1.2uA ; 100 : 1.6uA ; 101 : 2.0uA ; 110 : 2.4uA ; 111 : 2.8uA
0x1D	PH2_IOS[6:4] PH1_IOS[2:0]	R/W	00h	Bit[7] & Bit[3] : Don't care. PH2_IOS[6:4] : PHASE2 current balance offset adjustment, default = 0uA. PH1_IOS[2:0] : PHASE1 current balance offset adjustment, default = 0uA. 000 : 0uA ; 001 : 0.4uA ; 010 : 0.8uA ; 011 : 1.2uA ; 100 : 1.6uA ; 101 : 2.0uA ; 110 : 2.4uA ; 111 : 2.8uA
0x1E	POCGAIN8[7:4] POCGAIN7[3:0]	R/W	BBh	POCGAIN8[7:4] : PHASE8 channel current limit gain adjustment, default = 100%. POCGAIN7[3:0] : PHASE7 channel current limit gain adjustment, default = 100%. 0000 : 237.5% ; 0001 : 225% ; 0010 : 212.5% ; 0011 : 200% ; 0100 : 187.5% ; 0101 : 175% ; 0110 : 162.5% ; 0111 : 150% ; 1000 : 137.5% ; 1001 : 125% ; 1010 : 112.5% ; 1011 : 100% ; 1100 : 87.5% ; 1101 : 75% ; 1110 : 62.5% ; 1111 : 50%

Functional Description

Register Address	Register Name	Access	Default	Description
0x1F	POCGAIN6[7:4] POCGAIN5[3:0]	R/W	BBh	POCGAIN6[7:4] : PHASE6 channel current limit gain adjustment, default = 100%. POCGAIN5[3:0] : PHASE5 channel current limit gain adjustment, default = 100%. 0000 : 237.5% ; 0001 : 225% ; 0010 : 212.5% ; 0011 : 200% ; 0100 : 187.5% ; 0101 : 175% ; 0110 : 162.5% ; 0111 : 150% ; 1000 : 137.5% ; 1001 : 125% ; 1010 : 112.5% ; 1011 : 100% ; 1100 : 87.5% ; 1101 : 75% ; 1110 : 62.5% ; 1111 : 50%
0x20	POCGAIN4[7:4] POCGAIN3[3:0]	R/W	BBh	POCGAIN4[7:4] : PHASE4 channel current limit gain adjustment, default = 100%. POCGAIN3[3:0] : PHASE3 channel current limit gain adjustment, default = 100%. 0000 : 237.5% ; 0001 : 225% ; 0010 : 212.5% ; 0011 : 200% ; 0100 : 187.5% ; 0101 : 175% ; 0110 : 162.5% ; 0111 : 150% ; 1000 : 137.5% ; 1001 : 125% ; 1010 : 112.5% ; 1011 : 100% ; 1100 : 87.5% ; 1101 : 75% ; 1110 : 62.5% ; 1111 : 50%
0x21	POCGAIN2[7:4] POCGAIN1[3:0]	R/W	BBh	POCGAIN2[7:4] : PHASE2 channel current limit gain adjustment, default = 100%. POCGAIN1[3:0] : PHASE1 channel current limit gain adjustment, default = 100%. 0000 : 237.5% ; 0001 : 225% ; 0010 : 212.5% ; 0011 : 200% ; 0100 : 187.5% ; 0101 : 175% ; 0110 : 162.5% ; 0111 : 150% ; 1000 : 137.5% ; 1001 : 125% ; 1010 : 112.5% ; 1011 : 100% ; 1100 : 87.5% ; 1101 : 75% ; 1110 : 62.5% ; 1111 : 50%
0x22	CH_OC[7:0]	R/W	--	CH_OC[7:0] : Channel current limit threshold adjustment. VCH_OC = Bit[7:0] x 10mV
0x23	Total_OCP[2:0]	R/W	00h	Bit [7:3] : Don't care. Total_OCP[2:0] : Total output current protection threshold adjustment. 000 : 100% (default) ; 001 : 001% ; 010 : 120% ; 011 : 130% 100 : 140% ; 101 : 150% ; 110 : 160% ; 111 : 170%
0x24	T_OCP[7:6] UV[5:3] OV[2:0]	R/W	1Bh	T_OCP[7:6] : Total output current protection delay time adjustment. 00 : 20us (default) ; 01 : 10us ; 10 : 6.67us ; 11 : 5us UV[5:3] : Under voltage protection threshold adjustment. 000 : 30% ; 001 : 35% ; 010 : 40% ; 011 : 45% (default) ; 100 : 50% ; 101 : 55% ; 110 : 60% ; 111 : 65% OV[2:0] : Over voltage protection threshold adjustment. 000 : 140% ; 001 : 145% ; 010 : 150% ; 011 : 155% (default) 100 : 160% ; 101 : 165% ; 110 : 170% ; 111 : 175%
0x25	VR_SHDN[7:0]	R/W	FEh	VR_SHDN[7:0] : Thermal shutdown threshold adjustment. 0V ~ 2.04V, default = 2.04V(8mV/step)
0x26	GCOMP[3:0]	R/W	00h	Bit[7:4] : Don't care. GCOMP[3:0] : OTA Gm value selection, default = 1960uA/V. 000 : 1960uA/V ; 001 : 2300uA/V ; 010 : 2610uA/V ; 011 : 2890uA/V ; 100 : 3380uA/V ; 101 : 1580uA/V ; 110 : 1150uA/V ; 111 : 636uA/V

Functional Description

Register Address	Register Name	Access	Default	Description
0x2A	Misc2[6:2]	R/W	20h	Bit[7] & Bit[1:0]: Internal testing bit. Keep these bit values = "0" Bit[6]: Output voltage offset enable control "0" = Disable Offset(default) "1" = Enable Offset Bit[5] : Auto Phase H/W setting enable control "0" = Ignore H/W setting "1" = Follow H/W setting (default) Bit[4]: Auto Phase enable control (when Bit[5]=0) "0" = Disable Auto Phase (forced full phase operation) (default) "1" = Enable Auto Phase Bit[3]: DCM enable control when in 1-phase operation "0" = Disable DCM (default) "1" = Enable DCM Bit[2]: Forced full phase operation when channel OCL is triggered at APS Mode. "0" = Disable (default) "1" = Enable
0x2C	IOUT[7:0]	RO	--	Total output current reporting, ADC result of IMON voltage (10mV/step)
0x2D	VOOUT[7:0]	RO	--	Output voltage reporting. (sense FB voltage)(10mV/step)
0x2E	TEMP[7:0]	RO	--	Temperature reporting, reports highest temperature of DrMOS. (8mV/step)
0x33	ZC_OFFSET[7:5] T_PH_DW[4:2] OTP[1]	R/W	26h	Bit[0]: Internal testing bit. Keep this bit value = "0". ZC_OFFSET[7:5]: ZC offset adjustment. 000:0mV; 001: 2mV(default); 010: 4mV; 011: 6mV; 100: 8mV; 101: 10mV; 110: 12mV; 111: 14mV T_PH_DW[4] : Down phase delay control. "0" : Disable (default) "1" : Enable T_PH_DW[3:2] : Down phase delay time 00=10us 01=20us(default) 10=40us 11=80us OTP[1] : OTP protection control. "0" : Disable "1" : Enable (default)
0x35	PROT_IND2[7:0]	RO	00h	Each channel OCL indicator. Bit[7] : PHASE8 channel OCL indicator Bit[6] : PHASE7 channel OCL indicator Bit[5] : PHASE6 channel OCL indicator Bit[4] : PHASE5 channel OCL indicator Bit[3] : PHASE4 channel OCL indicator Bit[2] : PHASE3 channel OCL indicator Bit[1] : PHASE2 channel OCL indicator Bit[0] : PHASE1 channel OCL indicator "0" = Not Active "1" = Active

Functional Description

Register Address	Register Name	Access	Default	Description
0x37	PWM1_H_Mid[2] BF[1]	R/W	02h	Bit[7:3] & Bit[0]: Internal Testing Bit. Keep these bit values = "0" PWM1_H_Mid[2] : PWM1 output switching behavior control. Once it is enabled, only PWM1 output switching behavior changes from "High -> Low" to "High -> Middle", other PWM outputs keep "High -> Low" switching behavior. "0" : Disable (default) "1" : Enable BF[1]: Beat Frequency Function "0" : Disable "1" : Enable (default)
0x38	ACLL[7:5] V_OCL_MIN[4:2] IOUT_AVG_SR[1:0]	R/W	2Ch	Bit[7]: AC load line control. "0" : Follow HW setting (default) "1" : Enable AC Load Line Bit[6:5]: AC load line response time 00=40us 01=80us(default) 10=120us 11=160us Bit[4]: OCL disable if REFIN < V_OCL_Min "0" = Disable(default) "1" = Enable Bit[3:2]: OCL disable if REFIN voltage reaches below threshold. "00"=0.3V ; "01"=0.4V ; "10"=0.5V ; "11"=0.6V(default) Bit[1:0]: Sample rate of IOUT_AVG. "00"=50us(default) ; "01"=200us ; "10"=800us ; "11"=3200us
0x39	SMBus_Lock[7:0]	R/W	00h	SMBus_Lock[7:0] : SMBus register security lock. SMBus register default is locked, all the registers are "read only" and cannot be modified before unlock. Once the SMBus unlock and lock again, it needs VCC re-POR to reset. Bit[7:0] = "94h" , unlock SMBus Bit[7:0] = "87h" , lock SMBus
0x3A	SL_RAMP[7:6]	R/W	C0h	Bit [5:0]: Don't care. SL_RAMP[7:6] :RAMP slope adjustment. 00 : 50% ; 01 : 75% ; 10 : 100% ; 11 : 125%(default)
0x3B	PROT_IND[7:3] OP_PH_MON[2:0]	RO	00h	Protection indication, indicating which protection is triggered. Bit[7] : OTP indicator "0" = Not Active "1" = Active Bit[6] :Total OCP Indicator "0" = Not Active "1" = Active Bit[5] :Channel OCL indicator "0" = Not Active "1" = Active Bit[4] : OVP Indicator "0" = Not Active "1" = Active Bit[3] : UVP Indicator "0" = Not Active "1" = Active Bit[2:0] : Operating Phase Number Monitor 000 : 1 phase ; 001 : 2 phase ; 010 : 3 phase ; 011 : 4 phase 100 : 5 phase ; 101 : 6 phase ; 110 : 7 phase ; 111 : 8 phase

Functional Description

Register Address	Register Name	Access	Default	Description
0x3C	Misc1[3:0]	R/W	0Fh	Bit [7:5]: Don't care. Bit [4]: Internal testing bit. Keep this bit value = "0". Bit[3]: Total OCP control "0" = Disable Total OCP function "1" = Enable Total OCP function(default) Bit[2]: Channel OCL Control "0" = Disable Channel OCL function "1" = Enable Channel OCL function(default) Bit[1]: OVP Control "0" = Disable OVP function "1" = Enable OVP function(default) Bit[0]: UVP Control "0" = Disable UVP function "1" = Enable UVP function(default)
0x3D	IOUT_AVG[7:0]	RO	--	Average output current report, ADC result of V_{IMON} . (10mV/step)
0x27	Vendor ID	RO	00h	
0x28	Device ID	RO	2Bh	

Absolute Maximum Rating

(Note 1)

Supply Input Voltage, 5VCC -----	-0.3V to +6V
Other Pins -----	0.3V to +6V
Storage Temperature Range -----	-65°C to +150°C
Junction Temperature -----	150°C
Lead Temperature (Soldering, 10 sec) -----	260°C
ESD Rating (Note 2)	
HBM (Human Body Mode) -----	2kV

Thermal Information

Package Thermal Resistance (Note 3)

VQFN5x5 - 40L θ_{JA} -----	36°C/W
VQFN5x5 - 40L θ_{JC} -----	3°C/W
Power Dissipation, P_D @ $T_A = 25^\circ\text{C}$	
VQFN5x5 - 40L -----	2.78W

Recommended Operation Conditions

(Note 4)

Operating Junction Temperature Range -----	-40°C to +125°C
Operating Ambient Temperature Range -----	-40°C to +85°C
Supply Input Voltage, 5VCC -----	4.5V to 5.5V
Power Stage Input Voltage, V_{IN} -----	3V to 20V

- Note 1.** Stresses listed as the above *Absolute Maximum Ratings* may cause permanent damage to the device. These are for stress ratings. Functional operation of the device at these or any other conditions beyond those indicated in the operational sections of the specifications is not implied. Exposure to absolute maximum rating conditions for extended periods may remain possibility to affect device reliability.
- Note 2.** Devices are ESD sensitive. Handling precaution recommended.
- Note 3.** θ_{JA} is measured in the natural convection at $T_A = 25^\circ\text{C}$ on a low effective thermal conductivity test board of JEDEC 51-3 thermal measurement standard.
- Note 4.** The device is not guaranteed to function outside its operating conditions.

Electrical Characteristics

 (5VCC = 5V, T_A = 25°C, unless otherwise specified)

Parameter	Symbol	Test Conditions	Min	Typ	Max	Unit
Supply Input						
5VCC POR Threshold	POR _{5VCC}	5VCC rising	4	4.3	4.5	V
5VCC POR Hysteresis	HYS _{5VCC_POR}		--	300	--	mV
Quiescent Current	I _Q	EN = high , No switching	--	7	--	mA
Shutdown Current	I _{SD}	EN = 0V	--	300	--	uA
Power Stage Input Voltage Monitoring						
VINMON Monitoring Range			0.3	--	2.4	V
VINMON Rising Threshold	V _{VINMON}		--	0.2	--	V
VINMON Hysteresis	V _{VINMON_HYS}		--	100	--	mV
Enable Control						
Logic Low	V _{IL_EN}		--	--	0.1	V
Logic High	V _{IH_EN}		0.2	--	--	V
PWMVID Interface (VREF, VID, REFADJ, REFIN)						
VREF Voltage Accuracy	V _{REF}		1.98	2	2.02	V
VREF Sourcing Current	I _{REF_SRC}	VREF short to GND	10	--	--	mA
REFIN Disable Threshold	V _{REFIN_DSB}		--	0.1	--	V
External Reference Voltage Range	V _{REFIN}		0.2	--	2	V
VID Input Low	V _{IL_VID}		--	--	0.6	V
VID Input High	V _{IH_VID}		1.2	--	--	V
VID Tri-state Voltage	V _{TRL_VID}		--	0.9	--	V
VID Tri-state Delay	T _{TRL_VID}	VID from High to Tri-state; VID from Low to Tri-state	--	100	--	ns
REFADJ Source Resistance	R _{BF_SRC}	I _{SRC} = 1mA	--	20	--	Ω
REFADJ Sink Resistance	R _{BF_SNK}	I _{SINK} = 1mA	--	20	--	Ω
DAC Voltage Accuracy						
DAC Output Accuracy	V _{DAC}	Load Line Disabled	-1	--	1	mV
Oscillator						
Operation Frequency Range	F _{SW}	Per-phase operation frequency	200	--	2000	kHz
Frequency Accuracy		Frequency setting to 300kHz	270	300	330	kHz
Maximum Duty Cycle	D _{MAX}	Ramp slope setting to 100%	--	45	--	%
Minimum PWM Pulse Width	T _{PWM_MIN}	Guaranteed by design	--	40	--	ns

Electrical Characteristics

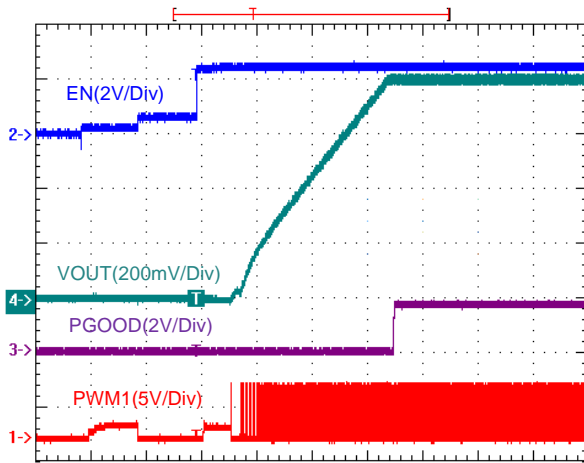
Parameter	Symbol	Test Conditions	Min	Typ	Max	Unit
Soft-Start						
Output Ramp Up Time	T_{RAMP}	$R_{PWM8} = \text{unstuffed}$	--	640	--	us
Initialization Time	T_{INIT}	EN go high to Vout start up from 0V	--	550	--	us
Error Amplifier						
Offset Voltage	$V_{OS(EA)}$		-1	--	1	mV
Input Bias Current	I_{EA}	Guaranteed by design	-10	--	10	nA
Open Loop DC Gain	AO	Guaranteed by design	--	70	--	dB
Gain-Bandwidth Product	GBW	Guaranteed by design	--	10	--	MHz
Trans-conductance	GM		--	1960	--	uA / V
COMP Source Current	I_{COMP_SRC}		--	300	--	uA
COMP Sink Current	I_{COMP_SNK}		--	300	--	uA
FBRTN						
FBRTN Current	I_{FBRTN}	EN = 1.8V, normal operation	--	--	100	uA
Current Summing Amplifier						
Input Offset Voltage	V_{OFF_CSA}	Guaranteed by design	-1	--	1	mV
Max Sourcing Current	I_{SRC_CSA}		300	--	--	uA
Current Sense Amplifier (CSP1~CSP8)						
Input Offset Voltage	V_{OFF_CSA}	Guaranteed by design	-1	--	1	mV
REFOUT						
REFOUT Output Voltage	V_{REFOUT}		--	1.2	--	V
REFOUT Sink Resistor	R_{REFOUT}	EN=0V, REFOUT=2.4V	--	240	--	kΩ
PWM Output (PWM1~PWM8)						
Output Low Voltage	V_{PWM_L}	$I_{SNK} = 4\text{mA}$	--	--	0.2	V
Output Hight Voltage	V_{PWM_H}	$I_{SOURCE} = 4\text{mA}$	4.7	--	--	V
High Impedance State Leakage		$V_{PWM} = 0\text{V}$	-1	--	0	uA
		$V_{PWM} = 5\text{V}$	0	--	1	uA
Source Current	I_{PWMx}	$R_{EN} = 10\text{k}\Omega$; during T_{INIT} time	--	10	--	uA
Power Saving Input (PSI)						
Power Saving Mode Logic	V_{PSI}	Full-Phase Mode	1.4	--	--	V
		Auto-Phase Shedding Mode	0.8	--	1.2	
		Low-Phase Mode	--	--	0.4	

Electrical Characteristics

Parameter	Symbol	Test Conditions	Min	Typ	Max	Unit
DC Load Line						
DC Load Line Enable Threshold		PWM1 resistor strap to GND	25	--	200	kΩ
DC Load Line Always Functional			250	--	--	kΩ
IMON						
Current Mirror Accuracy		From I_{SUM} to I_{EAP} or I_{MON}	95	100	105	%
Protection						
Channel Current Limit Setting Current	I_{CH_OC}		--	20	--	µA
Total Over Current Protection (OCP) Threshold	V_{OCP}	Measure IMON voltage	--	2.1	--	V
Total Over Current Protection (OCP) Delay	T_{OCP}	$V_{IMON} > V_{OCP}$	--	20	--	µs
Under Voltage Protection (UVP) Threshold	V_{UVP}		40	45	50	%
Under Voltage Protection (UVP) Delay	T_{UVP}		--	5	--	µs
Over Voltage Protection (OVP) Threshold	V_{OVP}	V_{FB}/N_{REFIN}	150	155	160	%
Over Voltage Protection (OVP) Delay	T_{OVP}		--	5	--	µs
Over Temperature Protection (OTP) Threshold	T_{OTP}	Guaranteed by design	--	160	--	°C
Power Good Indicator						
PGOOD Output Low Level	V_{PG}	$I_{SINK} = 4mA$	--	--	0.3	V
PGOOD Leakage Current	I_{PG_Leak}	$V_{PGOOD} = 5V$	--	--	0.1	µA
SMBus Interface (SCL & SDA)						
Input Low Voltage	V_{IL_SMBus}	Guaranteed by design	--	--	0.4	V
Input High Voltage	V_{IH_SMBus}	Guaranteed by design	1.6	--	--	V
Pull Down Resistance	R_{PULL_SMBus}	Guaranteed by design	--	8	--	Ω
Thermal Monitoring (TSENSE)						
ADC Voltage Range	V_{ADC}	8mV/step	0	--	2.04	V
Thermal Shutdown Threshold			--	2.032	--	V

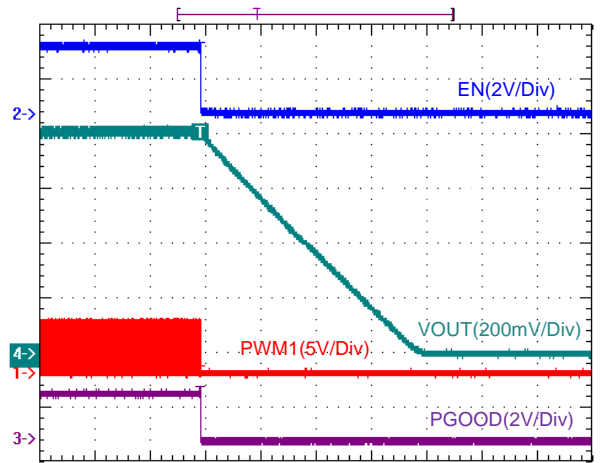
Typical Operation Characteristics

Power On from EN



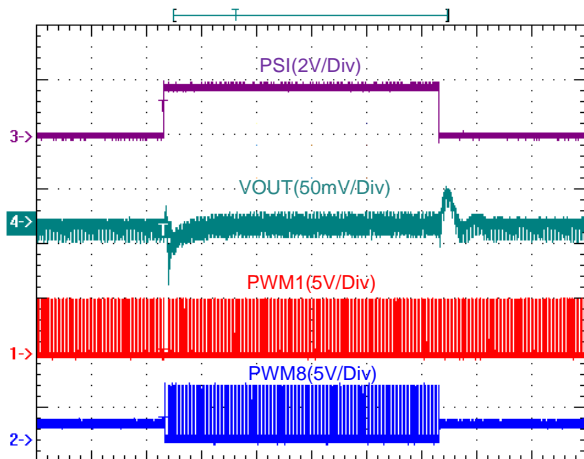
Time : 200us/Div
 $V_{IN} = 12V, V_{OUT} = 0.81V, I_{OUT} = 0A$

Power Off from EN



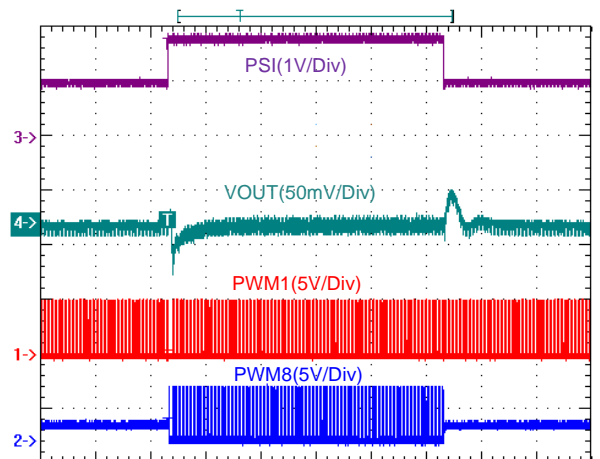
Time : 200us/Div
 $V_{IN} = 12V, V_{OUT} = 0.81V, I_{OUT} = 1A$

PSI = 0V \pm 1.8V



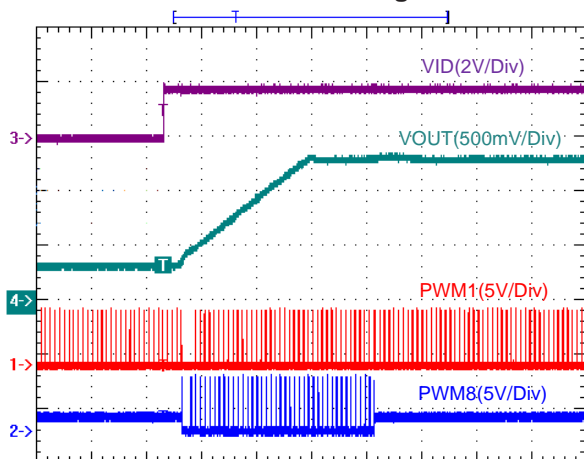
Time : 100us/Div
 $V_{IN} = 12V, V_{OUT} = 0.81V(\text{offset}), I_{OUT} = 0A$

PSI = 1V \pm 1.8V



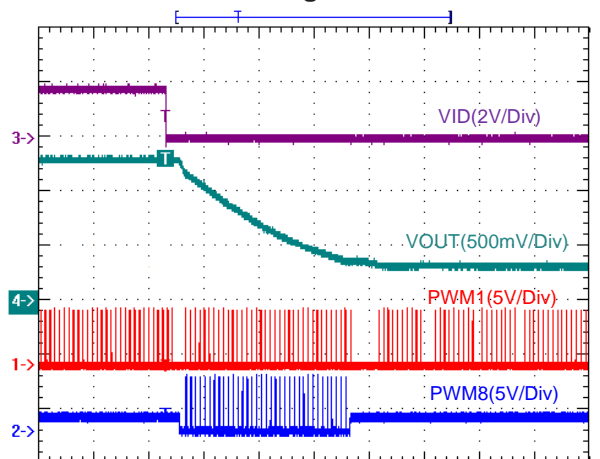
Time : 100us/Div
 $V_{IN} = 12V, V_{OUT} = 0.81V(\text{offset}), I_{OUT} = 0A$

VID = Low to High



Time : 40us/Div
 $V_{IN} = 12V, V_{OUT} = 0.81V, I_{OUT} = 0A, C_{DAC} = 100nF$

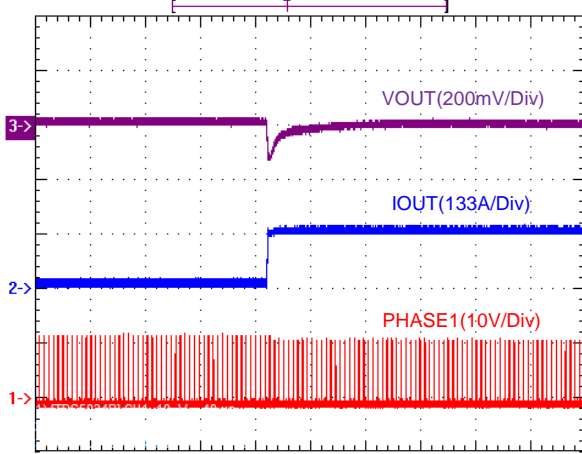
VID = High to Low



Time : 40us/Div
 $V_{IN} = 12V, V_{OUT} = 0.81V, I_{OUT} = 0A, C_{DAC} = 100nF$

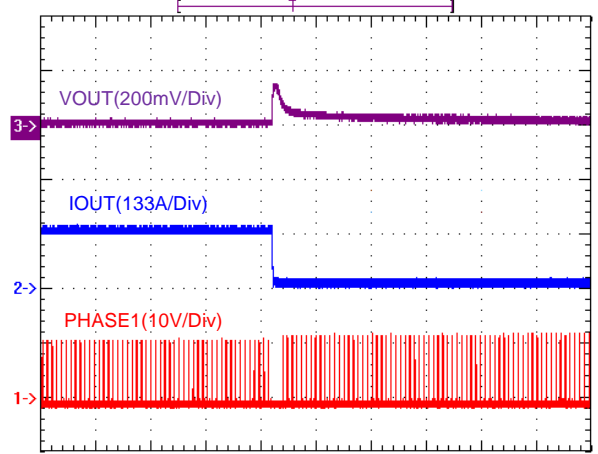
Typical Operation Characteristics

Load Transient - Undershoot



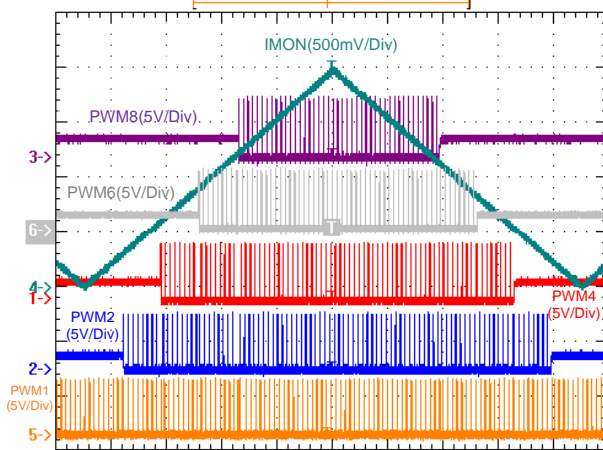
Time : 40us/Div
 $V_{IN} = 12V, V_{OUT} = 0.81V(\text{offset}), I_{OUT} = 1A \text{ to } 150A$

Load Transient - Overshoot



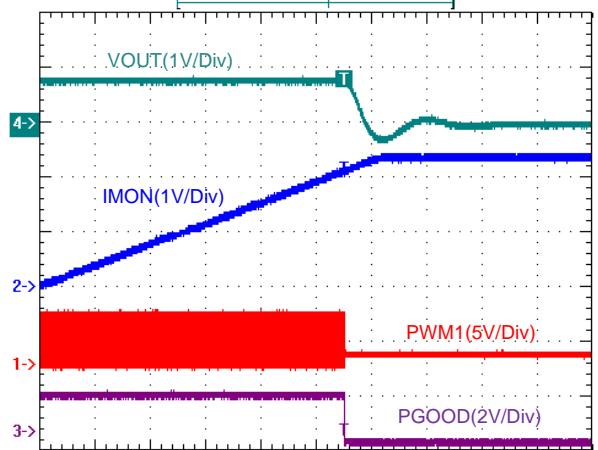
Time : 40us/Div
 $V_{IN} = 12V, V_{OUT} = 0.81V(\text{offset}), I_{OUT} = 1A \text{ to } 150A$

Auto Phase Shedding



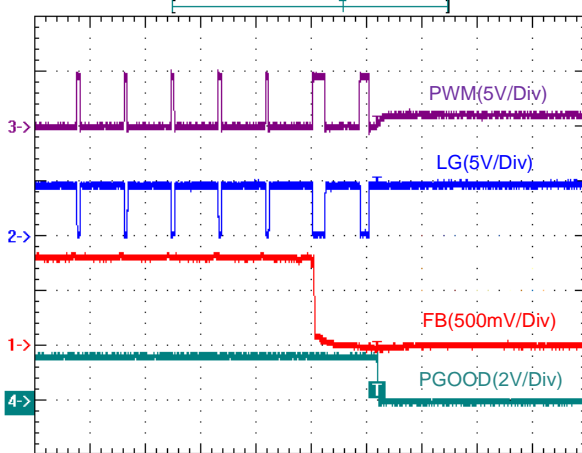
Time : 40us/Div
 $V_{IN} = 12V, V_{OUT} = 0.81V, V_{IMON} = 0V \text{ to } 2V$

Over Current Protection



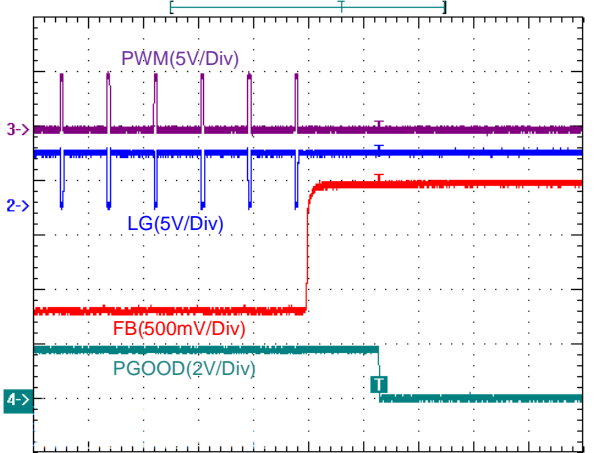
Time : 200us/Div
 $V_{IN} = 12V, V_{OUT} = 0.81V, V_{IMON} = 0V \text{ to } 2.4V$

Under Voltage Protection



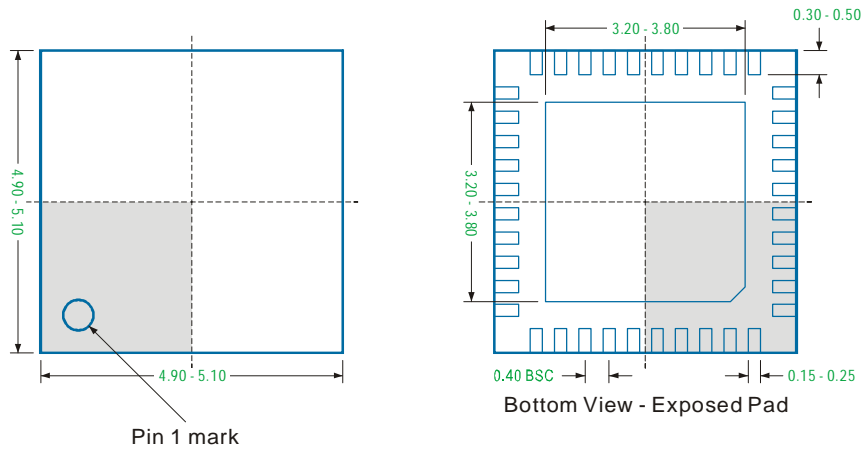
Time : 4us/Div
 $V_{IN} = 12V, V_{OUT} = 0.81V, I_{OUT} = 0A$

Over Voltage Protection



Time : 4us/Div
 $V_{IN} = 12V, V_{OUT} = 0.81V, I_{OUT} = 0A$

VQFN5x5 - 40L



Note

1. Package Outline Unit Description:

BSC: Basic. Represents theoretical exact dimension or dimension target

MIN: Minimum dimension specified.

MAX: Maximum dimension specified.

REF: Reference. Represents dimension for reference use only. This value is not a device specification.

TYP: Typical. Provided as a general value. This value is not a device specification.

2. Dimensions in Millimeters.

3. Drawing not to scale.

4. These dimensions do not include mold flash or protrusions. Mold flash or protrusions shall not exceed 0.15mm.

Important Notice

uPI and its subsidiaries reserve the right to make corrections, modifications, enhancements, improvements, and other changes to its products and services at any time and to discontinue any product or service without notice. Customers should obtain the latest relevant information before placing orders and should verify that such information is current and complete.

uPI products are sold subject to the terms and conditions of sale supplied at the time of order acknowledgment. However, no responsibility is assumed by uPI or its subsidiaries for its use or application of any product or circuit; nor for any infringements of patents or other rights of third parties which may result from its use or application, including but not limited to any consequential or incidental damages. No uPI components are designed, intended or authorized for use in military, aerospace, automotive applications nor in systems for surgical implantation or life-sustaining. No license is granted by implication or otherwise under any patent or patent rights of uPI or its subsidiaries.

COPYRIGHT (c) 2017, UPI SEMICONDUCTOR CORP.

uPI Semiconductor Corp.

Headquarter
9F.,No.5, Taiyuan 1st St. Zhubei City,
Hsinchu Taiwan, R.O.C.
TEL : 886.3.560.1666 FAX : 886.3.560.1888

Sales Branch Office
12F-5, No. 408, Ruiguang Rd. Neihu District,
Taipei Taiwan, R.O.C.
TEL : 886.2.8751.2062 FAX : 886.2.8751.5064

X-ON Electronics

Largest Supplier of Electrical and Electronic Components

Click to view similar products for [Switching Controllers](#) category:

Click to view products by [uPI Semiconductor](#) manufacturer:

Other Similar products are found below :

[NCP1218AD65R2G](#) [NCP1244BD065R2G](#) [NCP1336ADR2G](#) [NCP6153MNTWG](#) [NCP81101BMNTXG](#) [NCP81205MNTXG](#) [SJE6600](#)
[AZ7500BMTR-E1](#) [SG3845DM](#) [NCP1250BP65G](#) [NCP4204MNTXG](#) [NCP6132AMNR2G](#) [NCP81102MNTXG](#) [NCP81206MNTXG](#)
[NCP1240AD065R2G](#) [NCP1240FD065R2G](#) [NCP1361BABAYSNT1G](#) [NCP1230P100G](#) [NX2124CSTR](#) [SG2845M](#) [NCP1366BABAYDR2G](#)
[NCP81101MNTXG](#) [NCP81174NMNTXG](#) [NCP4308DMTTWG](#) [NCP4308AMTTWG](#) [NCP1366AABAYDR2G](#) [NCP1251FSN65T1G](#)
[NCP1246BLD065R2G](#) [MB39A136PFT-G-BND-ERE1](#) [NCP1256BSN100T1G](#) [LV5768V-A-TLM-E](#) [NCP1365BABCYDR2G](#)
[NCP1365AABCYDR2G](#) [NCP1246ALD065R2G](#) [AZ494AP-E1](#) [CR1510-10](#) [NCP4205MNTXG](#) [XRP6141ELTR-F](#) [RY8017](#) [LP6260SQVF](#)
[LP6298QVF](#) [ISL6121LIB](#) [ISL6225CA](#) [ISL6244HRZ](#) [ISL6268CAZ](#) [ISL6315IRZ](#) [ISL6420AIAZ-TK](#) [ISL6420AIRZ](#) [ISL6420IAZ](#)
[ISL6421ERZ](#)