

UPT-08-03.0-03-L-PV

UPT-04-01-01-L-RA

**UPT SERIES**

**(3.81 mm) .150"**

# DUAL BLADE 20 A POWER HEADER

**SPECIFICATIONS**

For complete specifications see [www.samtec.com?UPT](http://www.samtec.com?UPT)

**Insulator Material:** Black LCP

**Terminal Material:** BeCu

**Plating:** Sn or Au over 50 μm (1.27 μm) Ni

**Operating Temp Range:** -55 °C to +105 °C with Tin; -55 °C to +125 °C with Gold

**Voltage Rating:** 438 VAC/620 VDC

**Standard Creepage:** (5.5 mm) .217" (with -V) (2.97 mm) .117" (with -RA)

**Standard Clearance:** (1.51 mm) .059"

**RoHS Compliant:** Yes

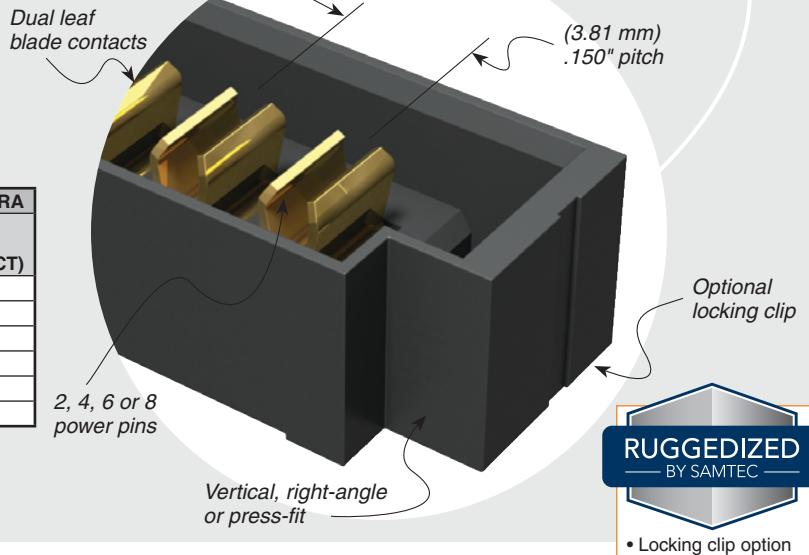
**Lead-Free Solderable:** Yes

**Lead-Free Solderable:** Yes

**Mates with:** UPS

PINS	UPT-V/UPS-V	UPT-RA/UPS-RA
	CURRENT RATING (PER CONTACT)	CURRENT RATING (PER CONTACT)
1	23 A	23.5 A
2	18.6 A	20.1 A
3	17.5 A	16.9 A
4	16.7 A	15.5 A
8	14 A	13.3 A

-L PLATING

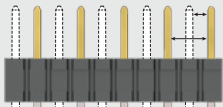


**RECOGNITIONS**

For complete scope of recognitions see [www.samtec.com/quality](http://www.samtec.com/quality)



**CREEPAGE AND CLEARANCE**



Selectively loading contacts achieves customer specific creepage and clearance requirements. Contact [asp@samtec.com](mailto:asp@samtec.com)

**ALSO AVAILABLE (MOQ Required)**

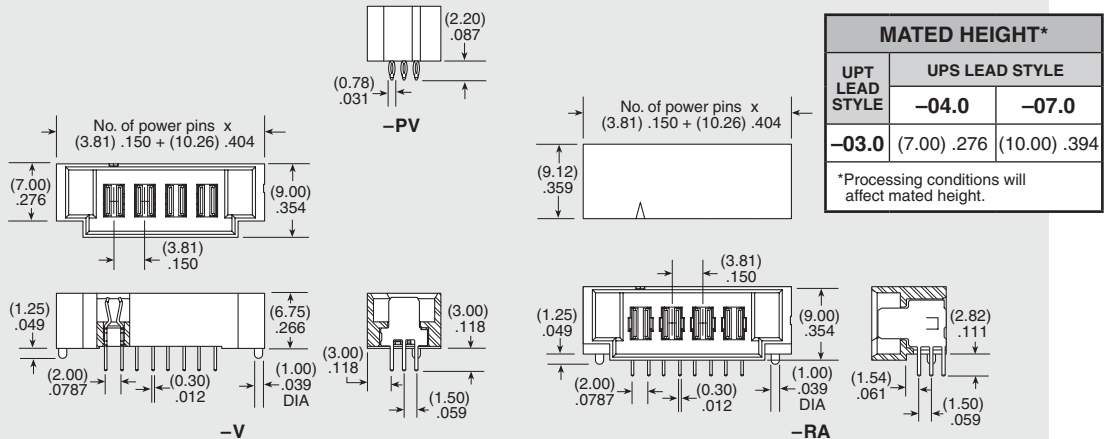
- Solder leads for (2.36 mm) .093" thick board

**TOOLING**

Press-fit tooling available.

**Note:** Some sizes, styles and options are non-standard, non-returnable.

UPT	POWER PINS	LEAD STYLE	TAIL LENGTH	PLATING OPTION	TAIL	OTHER OPTION
-02, -04, -06, -08	-01 = RA only -03.0 = (03.0 mm) .118" (-V & -PV only)	-01 = Use with (1.60 mm) .062" Thick PCB (-V & -RA only) -03 = Use with (1.60 mm) .062" Thick PCB (-PV only)	-L = 10 μm (0.25 μm) Gold on contact, Matte Tin on tail -T = Matte Tin (-RA option only)	-V = Vertical (Not available with -T plating) -RA = Right-angle -PV = Press-fit, Vertical	-LC = Locking Clip (Manual placement required) Not available with -PV option	



Due to technical progress, all designs, specifications and components are subject to change without notice.

## X-ON Electronics

Largest Supplier of Electrical and Electronic Components

*Click to view similar products for [Power to the Board](#) category:*

*Click to view products by [Samtec](#) manufacturer:*

Other Similar products are found below :

[10131318-08512GRLF](#) [6450171-4](#) [6450552-7](#) [6600323-8](#) [6643429-1](#) [6646040-2](#) [6651939-1](#) [6766604-1](#) [120959-1](#) [1393557-2](#) [1393532-2](#)  
[1393532-3](#) [1393532-4](#) [1393557-1](#) [1600812-5](#) [1-6450861-2](#) [1645595-1](#) [1743490-1](#) [1744132-7](#) [1761122-1](#) [1766169-1](#) [1766250-1](#) [18362](#)  
[1892109-1](#) [1-967627-6](#) [2226808-1](#) [2-6450860-5](#) [2-6450860-6](#) [2-6450870-0](#) [93003-0502](#) [953552-1](#) [1-6450161-4](#) [1-6450850-6](#) [1645526-2](#) [1-](#)  
[6600130-0](#) [1743419-1](#) [1766150-1](#) [2005243-2](#) [211110-1](#) [2-6600130-2](#) [TE34-12-16P-F0](#) [5-6450830-6](#) [5646956-4](#) [36662-0005](#) [40585-3000](#) [4-](#)  
[6450830-9](#) [4-6600333-3](#) [51142-0214](#) [10134048-911LF](#) [10123159-301LF](#)