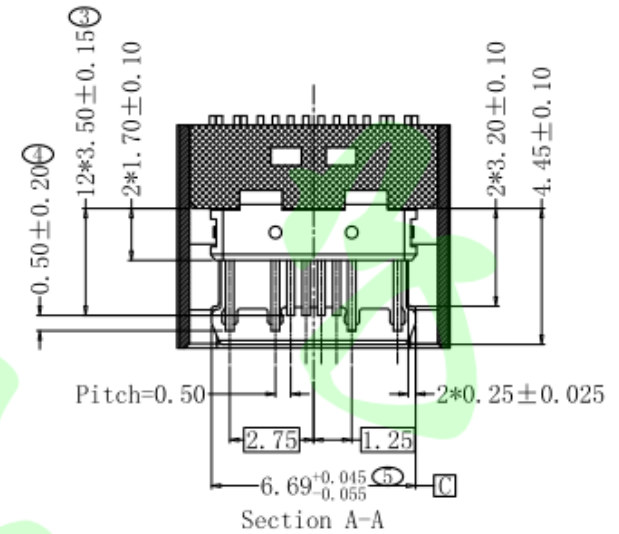
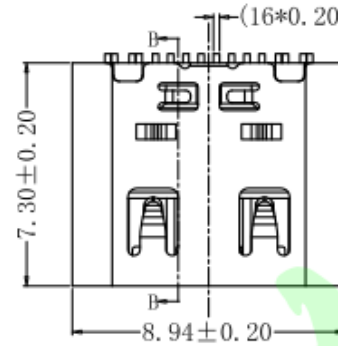
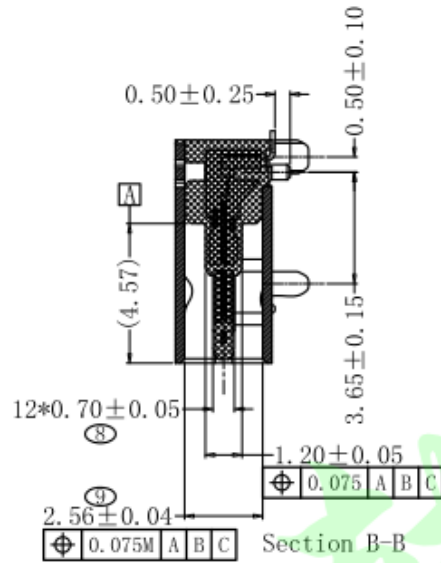


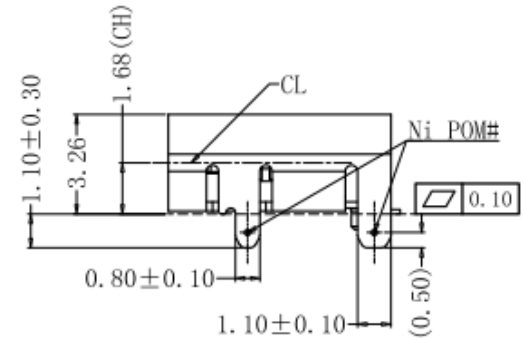
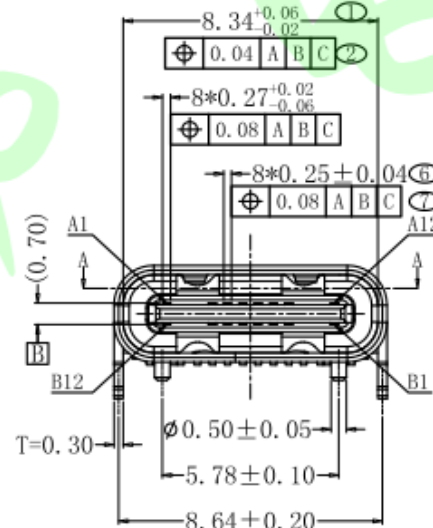
VER	MARK	PR. BY	ECR/ECN	DESCRIPTION	DATE
A		Talen		NEW RELEASE	09/26' 19

PIN DEFINE TABLE			
PIN	SIGNAL	PIN	SIGNAL
A12	GND	B1	GND
A11		B2	
A10		B3	
A9	VBUS	B4	VBUS
A8	SBU1	B5	CC2
A7	Dn1	B6	Dp2
A6	Dp1	B7	Dn2
A5	CC1	B8	SBU2
A4	VBUS	B9	VBUS
A3		B10	
A2		B11	
A1	GND	B12	GND



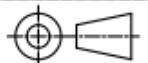
SPECIFICATION:

- Material & Finish: See the list;
- Mechanical:
 - Mating force: 5-20Nf;
 - Unmating force: Initial: 8-20Nf; Final: 6-20Nf;
 - Durability: 10000 Cycles;
- Electrical:
 - Current Rating:
 - VBUS Pins: 5A, Vconn Pin: 1.25A, Other Pins: 0.25A;
 - Voltage Rating: 20V Max.;
 - Dielectric Withstanding voltage: 100Vac, 60S, 10mA;
 - Contact resistance: 40m Ohms Max.;
 - Insulation Resistance: 100M Ohms Min.;
- Environmental:
 - Operating temperature: -40° C ~ +85° C;
 - Salt Spray Test: 48H Min. (No oxidation or rust);
 - Wetting Temperature: 265 ± 5° C, 5 ± 0.5s



NO.	PART NAME	Q' TY	MATERIAL	FINISH
5	Shell	1	SUS304-1/2H, T=0.30mm	50u"Ni Min.
4	GroundBar	1	SUS301-1/2H, T=0.15mm	No Plating
3	Down Contact	8	C7025 TM04	1u"Au/50u"Ni Min.
2	Top Contact	8	C7025 TM04	1u"Au/50u"Ni Min.
1	Housing	1	LCP or PA	UL 94 V-0

CUSTOMER		GENERAL TOLERANCES UNLESS SPECIFIED		APPROVED BY:	TITLE:	东莞市美韩电子科技有限公司 TEL: 0769-87869902 FAX: 0769-87869901
SIZE	UNITS	X ± 0.50	X' ± 5.0'	Song	Type-c 16Pin母座 3MD, L7.3mm	
A4	MM [INCH]	.X ± 0.35	.X' ± 3.0'	CHECKED BY:	PART NO.:	
SCALE	REV.	.XX ± 0.25	.XX' ± 2.5'	Talen	TYPE-C-16M-0243MD	
1:1	1	.XXX ± 0.15	.XXX' ± 2.0'	DESIGN BY:	DWG NO.:	SHEET
				Deng		1/1



X-ON Electronics

Largest Supplier of Electrical and Electronic Components

Click to view similar products for [USB Connectors](#) category:

Click to view products by [USAKRO](#) manufacturer:

Other Similar products are found below :

[950](#) [A-USB A-LP-SMT-C](#) [A-USB B-TOP-C](#) [MUSBA511N5](#) [MUSBC111M5](#) [MUSBD11135](#) [17-200721](#) [217450-1](#) [KMBVX-TH-5S-B30](#)
[896-30-004-00-000000](#) [KUSBX-AS2N-W](#) [KUSBX-SMT2AP1S-W30](#) [935](#) [957](#) [30-498-6](#) [SK-60A-2](#) [1734082-1](#) [30-1574](#) [30-470](#) [30-489](#) [30-](#)
[541](#) [30-572-3](#) [A-USB A-2P-C](#) [MIKROE-1451](#) [USBFTV2PEM2G](#) [USBFTVSCCG](#) [4689-1](#) [1-1734084-2](#) [MUSBC11135](#) [USBF21ZNSCC](#)
[USBBFTV6ZC](#) [MUSBB151341](#) [10135326-001LF](#) [M9177/3-1](#) [TJ-105](#) [USB-A-S-F-B-VT](#) [4198](#) [690-024-633-031](#) [UB-20PMFP-LC7001](#)
[USBFTVC6MRG](#) [UA-20BMFA-SL8001](#) [17-200011](#) [USBFTVC7ZC](#) [UB-20AFMM-LL7A01](#) [USBFTVC2MN](#) [CAP-WCCMLPB1](#) [1310-](#)
[1031-01](#) [2041386-1](#) [2274475-3](#) [UB-20BMFA-SL8001](#)