

K-No.: 23093

Powerline transformer

Date: 28.09.2011

Customer Standard Type

Customers part No.:

Page 1 of 3

Mechanical outline (mm): (General Tolerances DIN ISO 2768-c)

Connections:

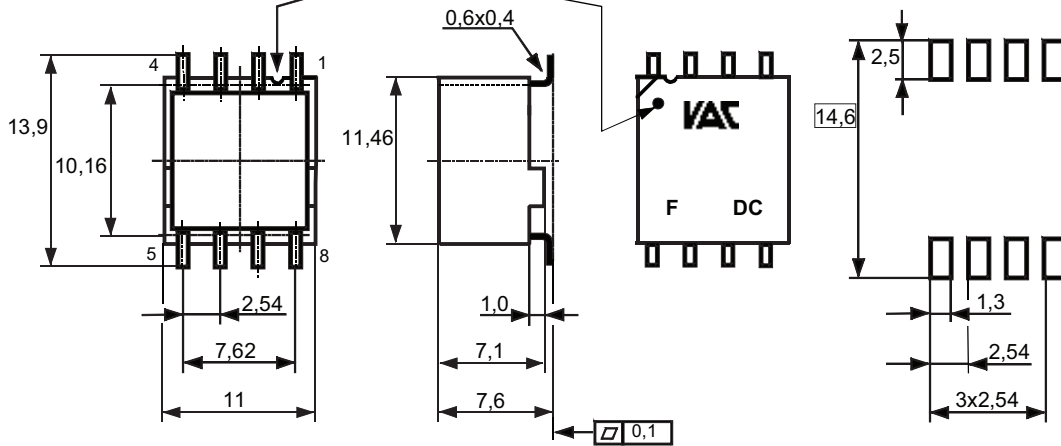
Dummy pins:
No. 4 and 7

Toleranz der Stiftabstände
±0,2 mm
(Tolerances grid distance)

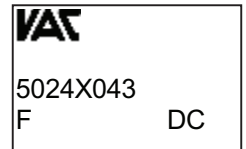
Kennzeichnung Stift 1
(marking pin 1)

DC=Date Code
F=Factory

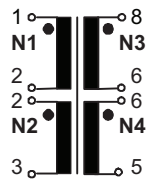
Vorschlag zur Anordnung
der Anschlußflächen
(Example for pad position)



Beschriftung:
marking



Schematic diagram:



$\ddot{u} = 1 : 1 : 1 : 1$

Operational data/characteristic data (nominal values):

$I_{DC} < 300\text{mA}$ $f = 1 \dots 30 \text{ MHz}$

$R_{Cu1+2} \leq 150 \text{ m}\Omega$

$R_{Cu3+4} \leq 150 \text{ m}\Omega$

$C_K \leq 25 \text{ pF}^*$ (N_{1+2} to N_{3+4})

Operating temperature: $-40 \text{ }^\circ\text{C} \dots +85 \text{ }^\circ\text{C}$

Storage temperature: $-40 \text{ }^\circ\text{C} \dots +85 \text{ }^\circ\text{C}$

Inspection: (V: 100%-Test; AQL...: DIN ISO 2859-Teil1)

- | | | | |
|---------------|----------|---|---|
| 1) (V) | M3014: | $U_{p,eff} = 5,5 \text{ kV}, 2 \text{ s},$ | N1+2 vs N3+4 |
| 2) (AQL 0,25) | M3011/1: | $L_{1+2} > 23 \text{ }\mu\text{H},$ | $f = 10 \text{ kHz}, U_{AC,eff} = 100 \text{ mV}$ |
| 3) (AQL 0,25) | M3011/2: | $L_{S1+2} \leq 0,5 \text{ }\mu\text{H},$ | $f = 100 \text{ kHz}, U_{AC,eff} = 100 \text{ mV}$ (N_{3+4} short circuited) |
| 4) (V) | M3011/6: | Polarity, Turns ratio: | Tolerance $\pm 2 \%$ |
| 5) (Fix 05) | M3291: | Lötbarkeitstest nach Abschnitt 1 / solderability test acc. to chapter 1 | |
| 6) (AQL 1/S4) | M3200: | Mechanische Prüfung / Mechanical test | |

Siehe Seite 2/ See page 2

Applicable documents: See page 2

Date	Name	Index	Change
28.09.11	Bs	83	Revised acc to EN 60950. Inspection point1) changed from 3kV to 5,5kV. Mechanical outline: width changed from 10 to 11mm. Type test M3064 cancelled, M3014 changed from 3 to 6kV. Page A3: Tape reel changed. ÄA-192

Editor: KB-E	Design: Bs	KB-PM: Ert. check	released: HS
--------------	------------	----------------------	--------------



Specification

Item No.: T60403-K5024-X043

K-No.: 23093

Powerline transformer

Date: 28.09.2011

Customer Standard Type

Customers part No.:

Page 2 of 3

Typprüfung:

Type test:

1) M3292: Resistance to soldering heat acc. to chapter 2

2) High voltage test according to M3014

$U_{p,eff} = 6 \text{ kV}$, 1 min, N1+N2 vs N3+N4

Measurements after temperature balance of the test samples at room temperature

Applicable documents:

Housing material, casting resin and wire UL – listed

Packing: Drypack / MSL according VAC M3027

Designed, manufactured and tested in accordance with EN 60950 (VDE 0805, UL 60950) and complies with the standards.

Parameters:

Reinforced Insulation: N1+N2 vs N3+N4

Working voltage $U_{rms} = 250 \text{ V}$

Overvoltage category:3

Pollution degree 2

Insulation material group 3

Certificate according to EN 10204-2.1 for each delivery

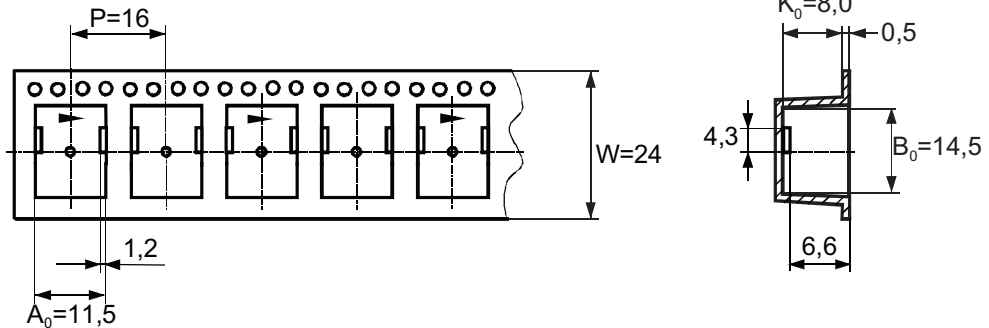
Editor: KB-E

Design: Bs

KB-PM: Ert.
check

released: HS

packing information / Verpackungsinformation

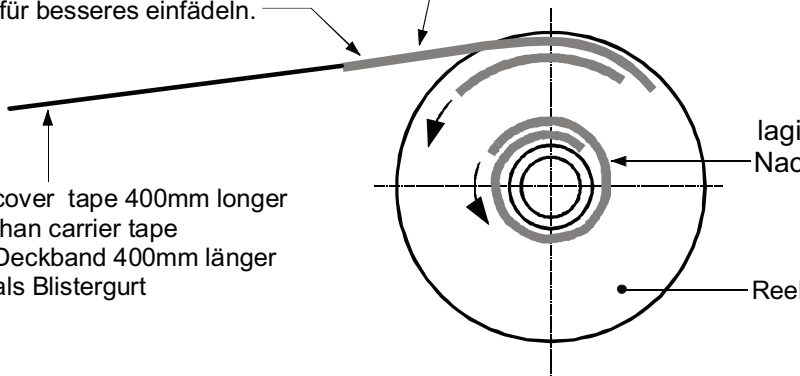


the first two nests must be crushed for better pockets.
Die ersten zwei Nester gequetscht für besseres einfädeln.

leading 25 empty pockets
Vorlauf 25 leere Nester

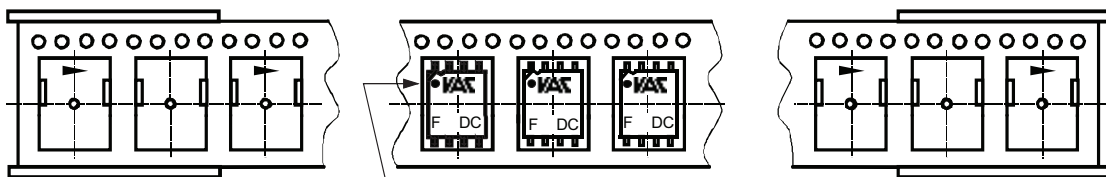
laging 25 empty pockets
Nachlauf 25 leere Nester

cover tape 400mm longer than carrier tape
Deckband 400mm länger als Blistergurt



laging: >25 empty pockets
Nachlauf >25 leere Nester

leading: >25 empty pockets
Vorlauf >25 leere Nester



Orientation of Pin 1 in carrier tape
Anordnung von Stift 1 im Blistergurt

Insertion of components according orientation 3 shown in M-sheet 3510
Einsetzen der Bauelemente nach M-Blatt 3510 Orientierung 3

quantities in packing: 450 pieces/tape (packing carton) 450 Bauelemente/Rolle
Verpackungsmenge 5 tapes reel/carton (outside)=2250 pieces /carton(outside)
5 Rollen/Karton =2250 Bauelemente /Außenkarton

X-ON Electronics

Largest Supplier of Electrical and Electronic Components

Click to view similar products for [Audio Transformers / Signal Transformers](#) category:

Click to view products by [Vacuumschmelze](#) manufacturer:

Other Similar products are found below :

[CX2041NLT](#) [MGPWT-00449-P](#) [PE-64961](#) [H1302FNLT](#) [H5008FNL](#) [H5012FNL](#) [H5020FNLT](#) [H5077NLT](#) [H5079NLT](#) [H5084FNLT](#)
[B78476A9558A003](#) [1812WBT2-4](#) [1879479-1](#) [HX2260FNL](#) [HX5014FNL](#) [EX2024FNL](#) [FL1066](#) [T1137NLT](#) [T3012NL](#) [PE-65812FNL](#) [PE-65848FNLT](#) [H1174FNL](#) [H1302FNL](#) [H5015FNL](#) [H5019EFNL](#) [H5062FNLT](#) [CX2047LNL](#) [MGPWT-00059-P](#) [MGPWT-00266-P](#) [MGPWT-00278-P](#) [MGPWT-00431-P](#) [TTC-100](#) [TTC-143-H](#) [TTC-5032-1](#) [BX1194WNLT](#) [HX1234NLT](#) [HX5008FNLT](#) [HX5019FNL](#) [HX5084NL](#) [3-1879385-5](#) [TX1263NLT](#) [4-1879391-0](#) [T1142NL](#) [HX6101FNL](#) [HX5084FNL](#) [HX1148NL](#) [HX5020FNLT](#) [HX5014FNLT](#) [T1124NL](#)
[1879732-1](#)