

K-No.: 25088

Powerline transformer

Date: 22.07.2014

Customer: Standard type

Customers part No.:

Page 1 of 3

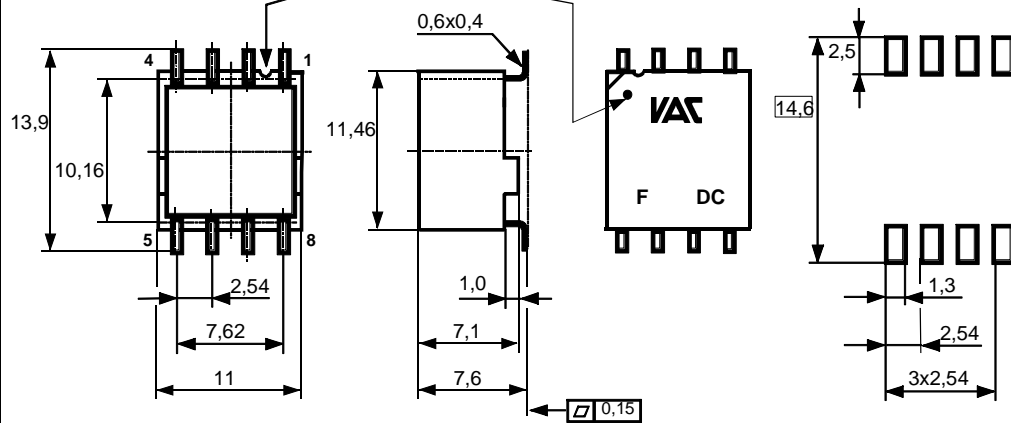
**Mechanical outline (mm):** (General Tolerances DIN ISO 2768-c)

Toleranz der Stiftabstände  
±0,2 mm  
(Tolerances grid distance)

Kennzeichnung Stift 1  
(marking pin 1)

DC=Date Code  
F=Factory

Vorschlag zur Anordnung  
der Anschlußflächen  
(Example for pad position)



Connections:

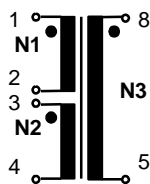
Unused pin(s):  
No. 6,7

Marking

**VAC** DC  
5024X090  
F

**Schematic diagram:**

IC side      mains side



$\ddot{u} = 1 : 1 : 2$

**Operational data/characteristic data (nominal values):**

$f = 10 \dots 1000 \text{ kHz}$

$I_{RMS} < 40 \text{ mA (50/60Hz)}$

$C_{K1+2-3} \leq 30 \text{ pF}$

$R_{Cu1} \leq 100 \text{ m}\Omega, R_{Cu2} \leq 100 \text{ m}\Omega, R_{Cu3} \leq 100 \text{ m}\Omega$

Operating temperature:  $-40 \text{ }^\circ\text{C} \dots +85 \text{ }^\circ\text{C}$

Storage temperature:  $-40 \text{ }^\circ\text{C} \dots +85 \text{ }^\circ\text{C}$

**Inspection:** (V: 100%-Test; AQL...: DIN ISO 2859-Teil1)

- |    |            |          |  |   |
|----|------------|----------|--|---|
| 1) | (V)        | M3014:   | $U_{p,eff} = 3,0 \text{ kV}, 2 \text{ s},$ | N3 vs N1+N2                                       |
| 2) | (AQL 0,25) | M3011/1: | $L_3 = 880 \mu\text{H} \pm 25\%,$          | $f = 10 \text{ kHz}, U_{AC,eff} = 100 \text{ mV}$ |
| 3) | (V)        | M3011/6: | Polarity, Turns ratio:                     | Tolerance $\pm 2 \%$                              |
| 4) | (Fix05)    | M3291:   | Solderability test acc. to chapter 1       |   |
| 5) | (AQL 1/S4) | M3200:   | Mechanical test                            |   |

see page 2

**Applicable documents:** See page 2

Date	Name	Index	Change
22.07.14	Pf.	82	Characteristic data: $I_{DC} < 40 \text{ mA}$ changed to $I_{RMS} < 40 \text{ mA (50/60Hz)}$ . Lapidary change.
26.10.12	Pf.	82	Operational data: $I_{DC} < 40 \text{ mA}$ inserted. Lapidary change.

Editor: KB-E	Design: Bs.	KB-PM: Ert. check	released: HH
--------------	-------------	----------------------	--------------

K-No.: 25088	<b>Powerline transformer</b>	Date: 22.07.2014
Customer: Standard type	Customers part No.:	Page 2 of 3

Type test

- 1) High voltage test according to M3014  
 $U_{p,eff} = 3 \text{ kV}$ , 1 min, N1+N2 vs N3
- 2) M3292: Resistance to soldering heat acc. to chapter 2

Measurements after temperature balance of the test samples at room temperature

**Applicable documents:**

Designed, manufactured and tested in accordance to EN 60950 (VDE 0805, UL1950) and complies with the standards.

Parameters: Reinforced insulation: N1+N2 vs N3  
 Working voltage: 400 V r.m.s.  
 overvoltage category: 2  
 Pollution degree: 2  
 Insulation material group: 3

Housing material, casting resin and wire UL – listed

**Packing: Drypack / MSL according VAC M3027**

Editor: KB-E	Design: Bs.		KB-PM: Ert. check			released: HH
--------------	-------------	--	----------------------	--	--	--------------

K-No.: 25088

**Powerline transformer**

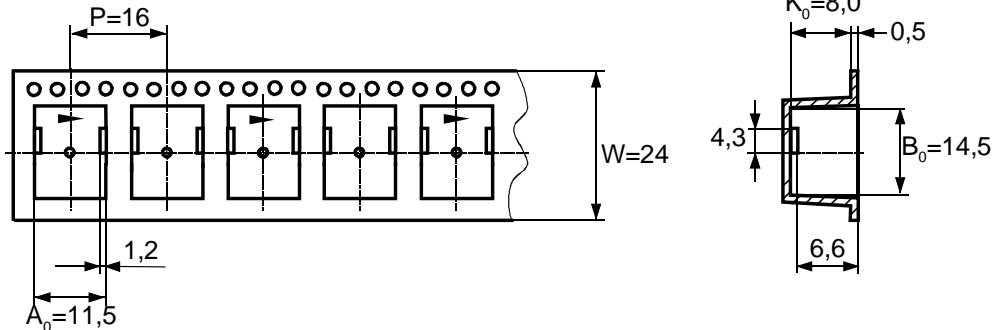
Date: 22.07.2014

Customer: Standard type

Customers part No.:

Page 3 of 3

**packing information / Verpackungsinformation**



the first two nests must be crushed for better pockets.  
Die ersten zwei Nester gequetscht für besseres einfädeln.

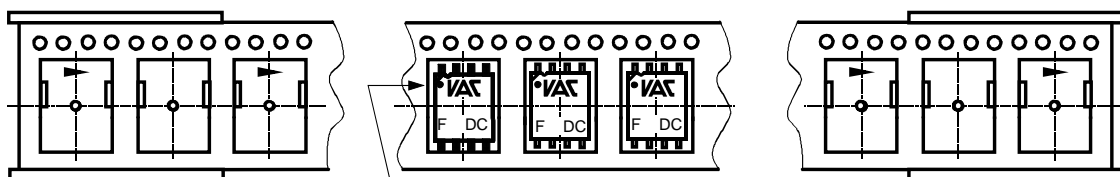
leading 25 empty pockets  
Vorlauf 25 leere Nester

cover tape 400mm longer than carrier tape  
Deckband 400mm länger als Blistergurt

laging 25 empty pockets  
Nachlauf 25 leere Nester

laging: >25 empty pockets  
Nachlauf >25 leere Nester

leading: >25 empty pockets  
Vorlauf >25 leere Nester



Orientation of Pin 1 in carrier tape  
Anordnung von Stift 1 im Blistergurt

Insertion of components according orientation 3 shown in M-sheet 3510  
Einsetzen der Bauelemente nach M-Blatt 3510 Orientierung 3

**quantities in packing:** 450 pieces/tape (packing carton) 450 Bauelemente/Rolle  
Verpackungsmenge 5 tapes reel/carton (outside)=2250 pieces /carton(outside)  
5 Rollen/Karton =2250 Bauelemente /Außenkarton

Editor: KB-E

Design: Bs.

KB-PM: Ert.  
check

released: HH

## X-ON Electronics

Largest Supplier of Electrical and Electronic Components

*Click to view similar products for [Audio Transformers / Signal Transformers](#) category:*

*Click to view products by [Vacuumschmelze](#) manufacturer:*

Other Similar products are found below :

[CX2041NLT](#) [MGPWT-00449-P](#) [PE-64961](#) [H1302FNLT](#) [H5008FNL](#) [H5012FNL](#) [H5020FNLT](#) [H5077NLT](#) [H5079NLT](#) [H5084FNLT](#)  
[B78476A9558A003](#) [1812WBT2-4](#) [1879479-1](#) [HX2260FNL](#) [HX5014FNL](#) [EX2024FNL](#) [FL1066](#) [T1137NLT](#) [T3012NL](#) [PE-65812FNL](#) [PE-65848FNLT](#) [H1174FNL](#) [H1302FNL](#) [H5015FNL](#) [H5019EFNL](#) [H5062FNLT](#) [CX2047LNL](#) [MGPWT-00059-P](#) [MGPWT-00266-P](#) [MGPWT-00278-P](#) [MGPWT-00431-P](#) [TTC-100](#) [TTC-143-H](#) [TTC-5032-1](#) [BX1194WNLT](#) [HX1234NLT](#) [HX5008FNLT](#) [HX5019FNL](#) [HX5084NL](#) [3-1879385-5](#) [TX1263NLT](#) [4-1879391-0](#) [T1142NL](#) [HX6101FNL](#) [HX5084FNL](#) [HX1148NL](#) [HX5020FNLT](#) [HX5014FNLT](#) [T1124NL](#)  
[1879732-1](#)